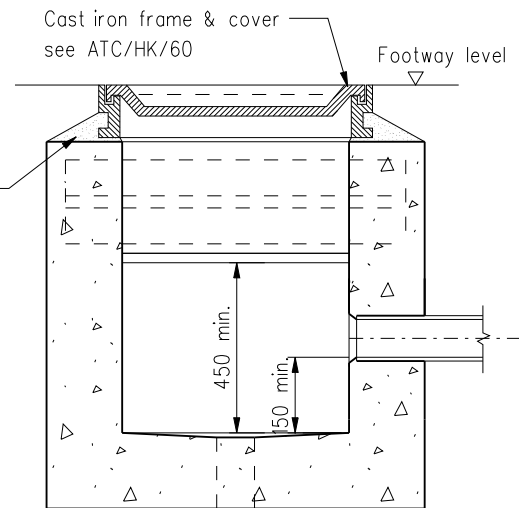
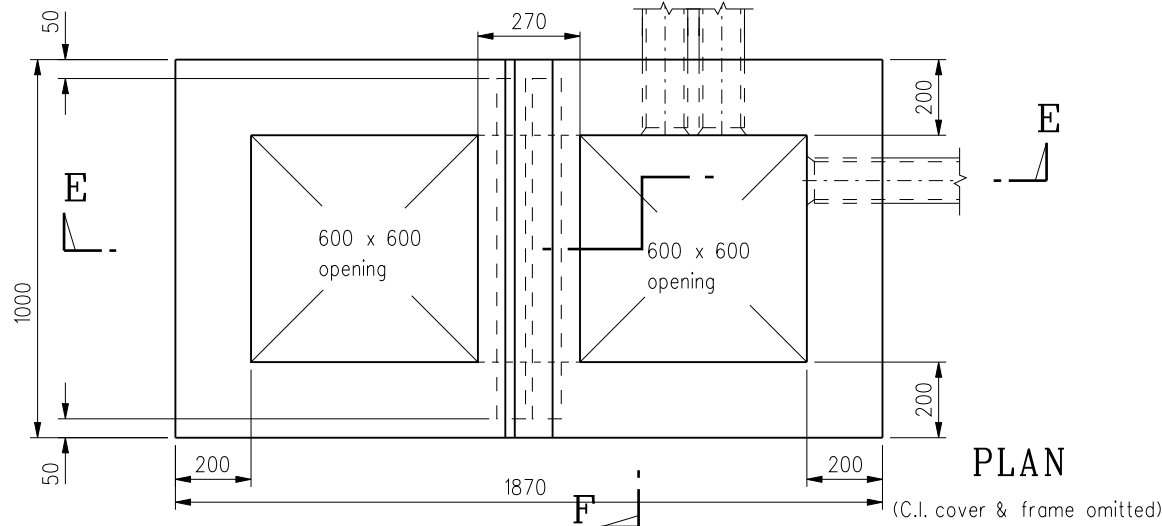


SECTION E - E



SECTION F - F



PLAN

Notes :

1. See H2157 for general notes.
2. See H2160 for type A chamber

| | | | |
|------|--|-----------|-------------------|
| A | Typo in Section E-E amended Former Drg. No. H2036/6A with general revision | | Oct 13 June 94 |
| REF. | REVISION | SIGNATURE | DATE |

ATC DRAW PIT - TYPE B TWIN CONCRETE
DRAW/JOINTING CHAMBER (FOR DEPTH OF
DRAW PIT EXCEEING 850 mm)

HIGHWAYS DEPARTMENT

REFERENCE
Drg. No. ATC/HK/61

DRAWING No. CAD

SCALE
1 : 20

H 2161A