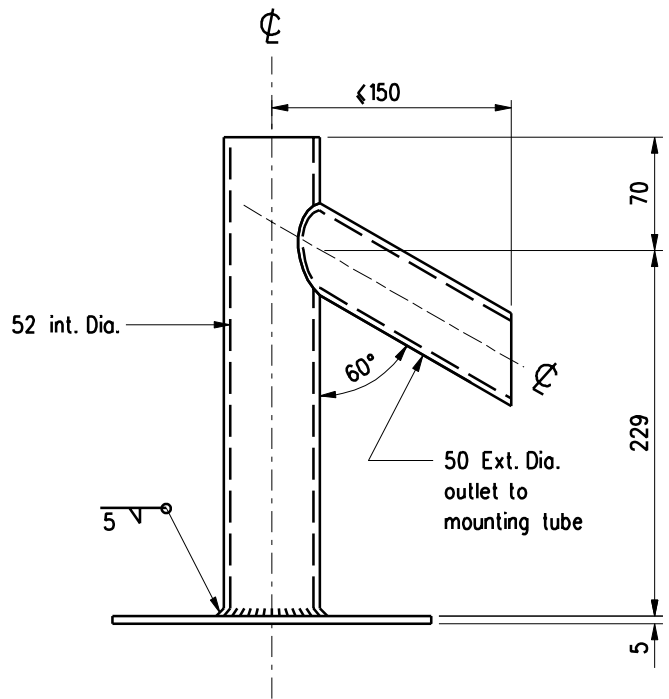
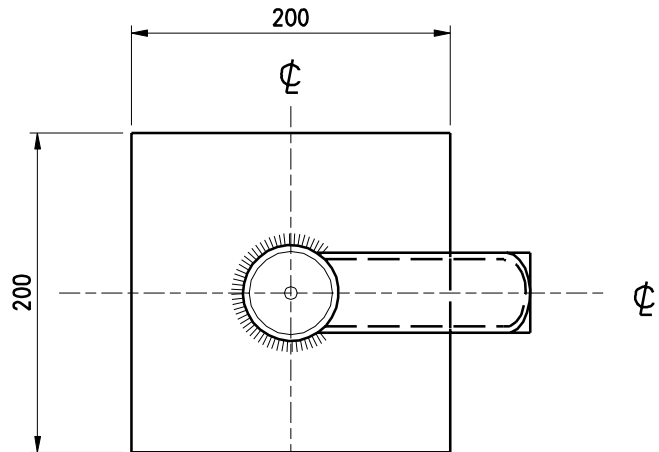


MOUNTING TUBE



STEEL MOUNTING SLEEVE



STEEL BASE PLATE

Notes :

1. All dimensions are in millimetres.
2. Base plate and sleeve to be fabricated and then hot-tip galvanized.
3. Longitudinal location of emergency telephones to be determined by CE/TCS.
4. Changes in details subject to approval by CE/TCS & DEMS.

	Former Drg. No. H2035/7 with general revision		June 94
REF.	REVISION	SIGNATURE	DATE

EMERGENCY TELEPHONE  
MOUNTING DETAILS - BRIDGE  
WITH STEEL/ ALUMINIUM PARAPET  
(SHEET 2 OF 2)

HIGHWAYS DEPARTMENT

REFERENCE  
ATC 266<sup>A</sup>

DRAWING No. CAD

SCALE  
1:20

H 2156