

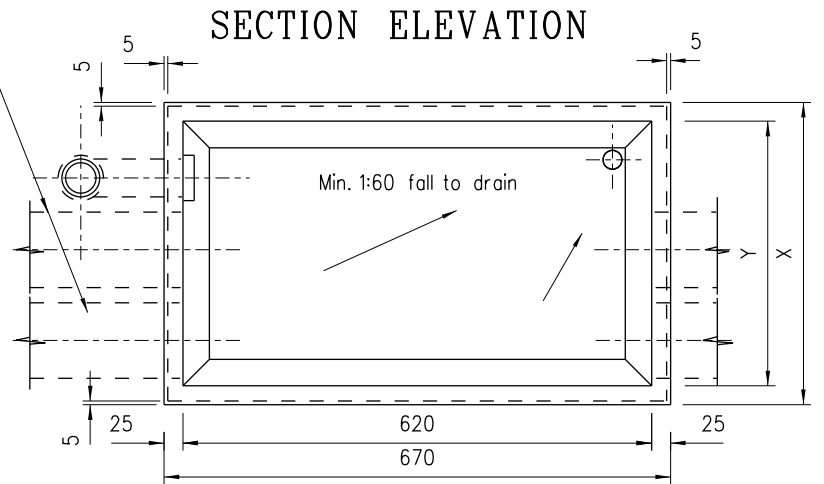
SECTION A - A

	Bridge with	
	Steel parapet	Aluminium parapet
X	300	400
Y	250	350
Z	300	200

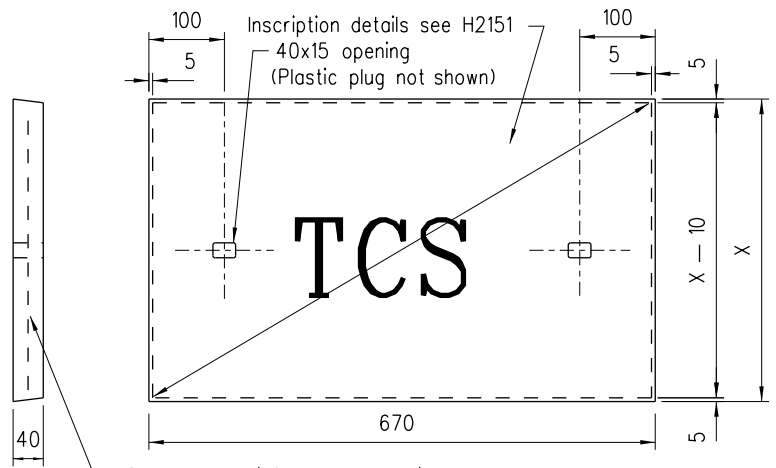
JUNCTION BOX

Notes :

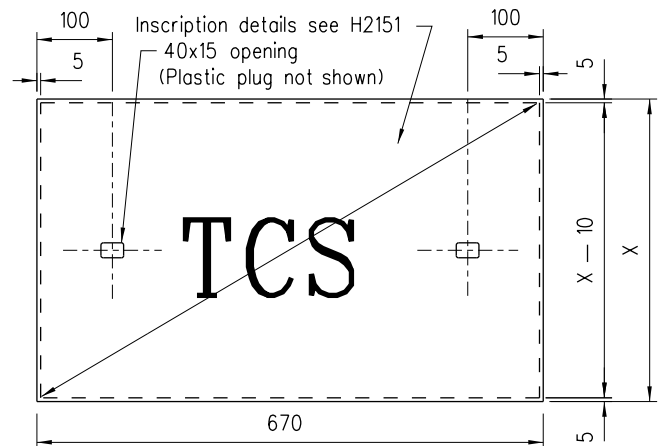
- All dimensions are in millimetres.
- Longitudinal location of emergency telephones to be determined by CE/TCS.
- Changes in details subject to approval by CE/TCS & DEMS.
- For bridge with steel parapet (refer to Drg. No. H2153) the longitudinal ducts may be aligned vertically.
- Lettering on the cover shall be produced by engraving on the cover with a preformed mould after initial set of the concrete. The engraved letters shall be neat and tidy. Hand writing is not acceptable. Unless otherwise approved by the Engineer, each letter shall have width in the range of 55mm to 70mm, height in the range of 80mm to 100mm, font style to be "Arial" or "Times New Roman".
- Plastic plugs should be installed on openings, with relevant details agreed by the Engineer.



PLAN



SIDE ELEVATION



PLAN PRECAST CONCRETE COVER

B	Note 6 added	Original signed	May 16
A	Note 5 added	-	Nov 12
	Former Drg. No. H2035/6	-	June 94
REF.	REVISION	SIGNATURE	DATE

EMERGENCY TELEPHONE
MOUNTING DETAILS - BRIDGE
WITH STEEL/ALUMINIUM PARAPET
(SHEET 1 OF 2)

HIGHWAYS DEPARTMENT

REFERENCE
ATC 267^A

DRAWING No. CAD

SCALE
1 : 10

H 2155B