

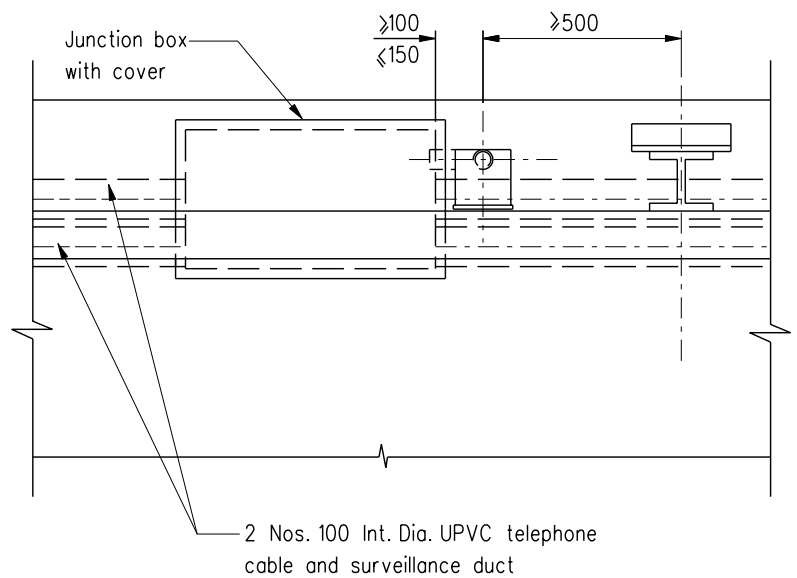
SECTION A - A

ELEVATION



Notes :

1. All dimensions are in millimetres
2. Longitudinal location of emergency telephones to be determined by CE/TCS
3. For details of junction box, mounting tube & sleeve, etc see Drg. No. H2155
4. Changes in details subjected to approval by CE/TCS & DEMS.



PLAN

	Former Drg. No. H2035/5 with general revision		June 94
REF.	REVISION	SIGNATURE	DATE

**EMERGENCY TELEPHONE
MOUNTING DETAILS - BRIDGE
WITH ALUMINIUM PARAPET**

HIGHWAYS DEPARTMENT

REFERENCE
ATC 264^A

DRAWING No.

CAD

SCALE
1 : 20

H 2154