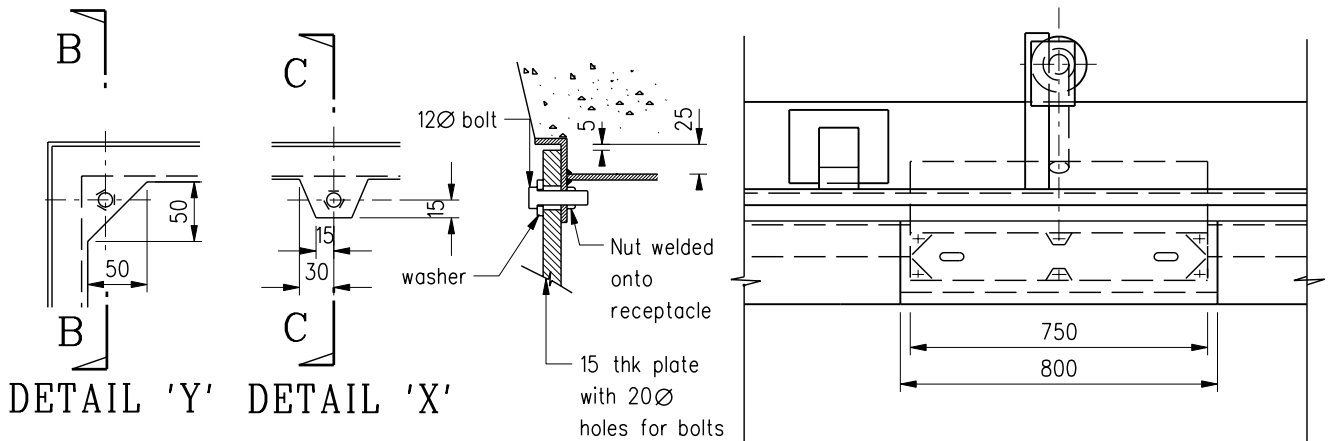


SECTION A - A

ELEVATION



DETAIL 'Y' DETAIL 'X'

SEC. C - C

PLAN

(15 thk \varnothing and bolts are not shown for clarity)

Notes :

(SEC. B - B SIMILAR)

1. All dimensions are in millimetres.
2. Longitudinal location of emergency telephones to be determined by CE/TCS.
3. Changes in details subject to approval by CE/TCS & DEMS.

	Former Drg. No. H2035/3 with general revision		June 94
REF.	REVISION	SIGNATURE	DATE

EMERGENCY TELEPHONE
MOUNTING DETAILS - BRIDEG
WITH CONCRETE PARAPET

HIGHWAYS DEPARTMENT

REFERENCE
ATC 263^A

DRAWING No.

CAD

SCALE
1:20

H 2152