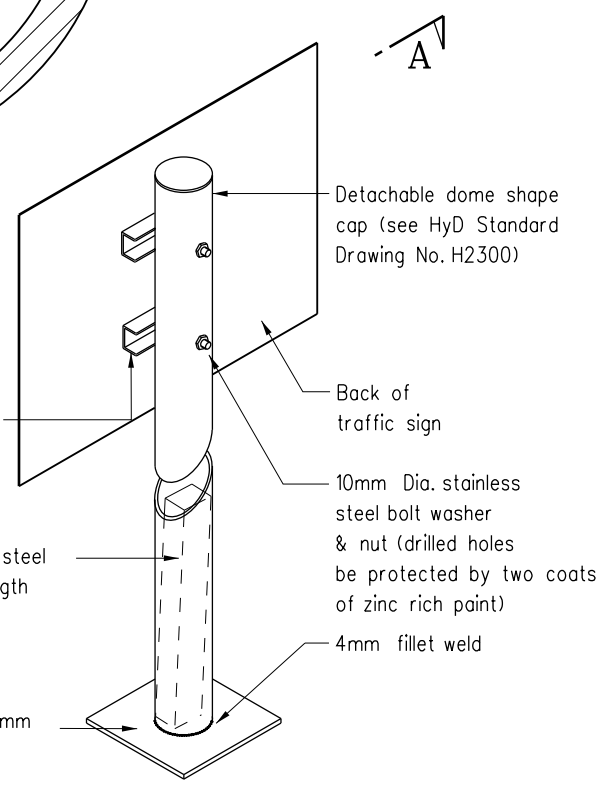
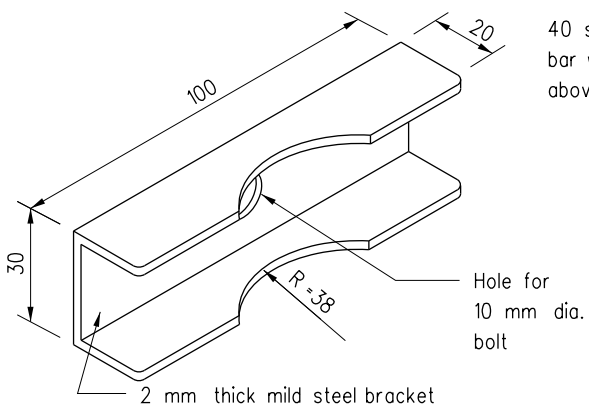


SECTION A-A
Scale : full size



ISOMETRIC VIEW OF TRAFFIC SIGN SUPPORT
Scale 1 : 10



DETAIL OF BRACKET
Scale 1 : 2

REF.	REVISION	SIGNATURE	DATE
C	Detachable dome shape cap added and other general revisions	Original signed	Feb 19
B	40 solid square post added	-	May 18
A	Detail of Bracket updated	-	Sep 07
	Former Drg. No. H2033/2A		Jun 94

SINGLE POST TRAFFIC SIGN SUPPORT (SHEET 2 OF 2)

HIGHWAYS DEPARTMENT

REFERENCE	DRAWING No.	CAD
SCALE As shown	H 2148C	