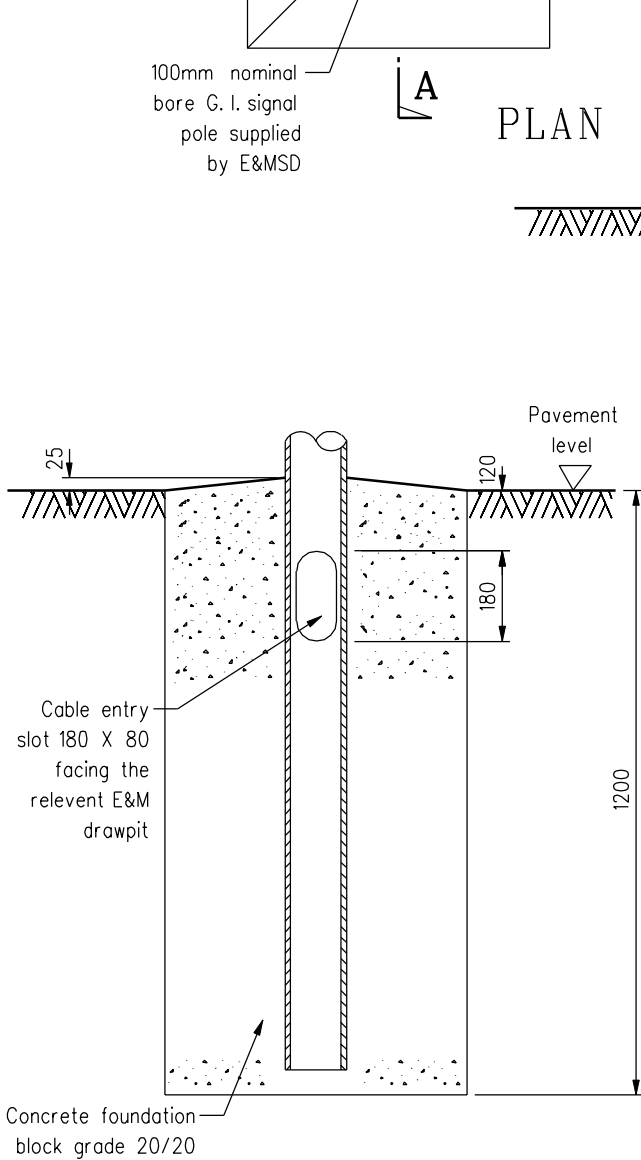


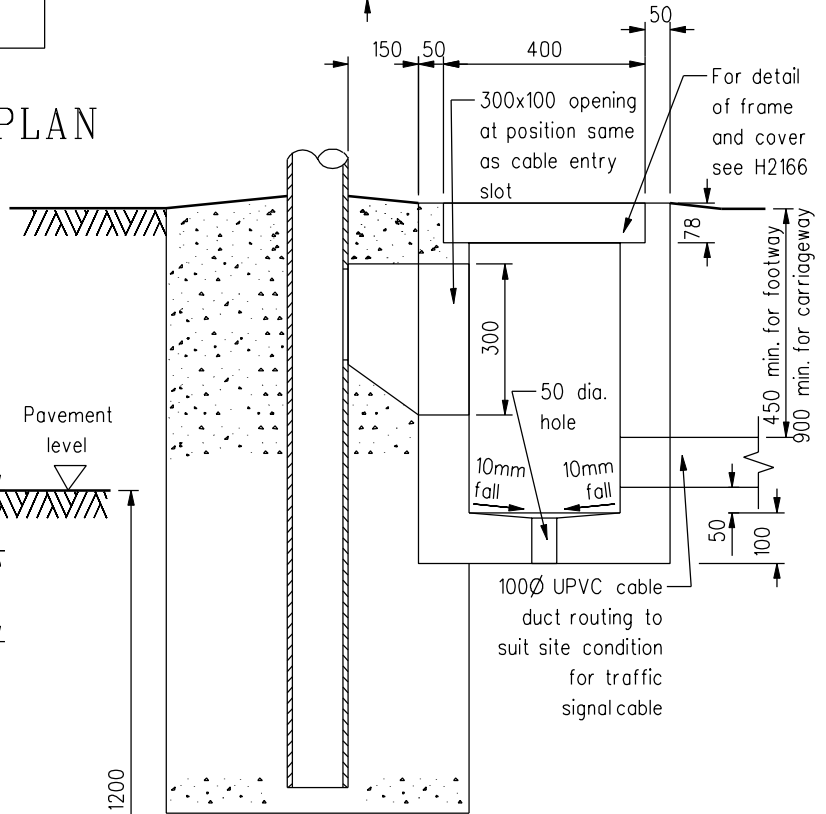
PLAN



SECTION A - A

Note :

1. All dimensions are in millimetres.
2. Where the signal pole is located in block paved footpath, the concrete foundation should be lowered to allow for the paving blocks and the sand course.
3. The proposed civilworks for mini-drawpit shall conform to standard details as shown in Drg. H2157 unless noted otherwise.



SECTION B - B

C	Position of mini-drawpit revised		Mar. 04
B	Title revised and details of mini-drawpit added		Mar. 03
A	The concrete pavement at the bottom of the signalpole is amended to show a sloping surface to avoid corrosion of the signalpole at the bottom. Note 2 added.		Dec. 00
	Former Drg. No. H2032A		June 94
REF.	REVISION	SIGNATURE	DATE

# FOUNDATION AND MINI-DRAWPIT FOR TRAFFIC SIGNAL POLE

## HIGHWAYS DEPARTMENT

REFERENCE  
EM (A1) -15348

DRAWING No.

CAD

SCALE  
diagrammatic

H 2146C