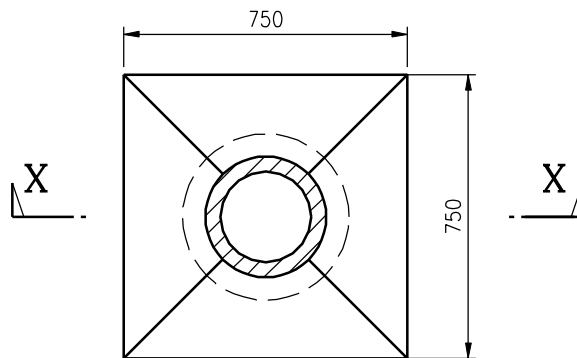


**SECTION X - X**



**PLAN**

Notes :

1. All dimensions are in millimetres.
2. 'H' equals 350 for large AA posting box and large letter box  
500 for small AA posting box  
430 for second pouch box
3. 'L' equals 1000 for large AA posting box, large letter box and small AA posting box,  
900 for second pouch box.
4. Where the concrete footing is located in block paved footpath, the footing should be lowered to allow for the paving blocks and the sand course.
5. The heights of all types of posting boxes and second pouch box should be 1500 from the ground level.
6. The soil around the concrete foundation should be well compacted.

C	Dimensions of foundation revised. Note 2 revised. Notes 3, 5 and 6 added. Details of Type A - B posting box moved to H4118.		Aug. 02
B	Note 3 added		Nov. 99
A	Clearance from ground level for Type AA and SAA post box revised		Apr 99
	Former Drg. No. H2031		June 94
REF.	REVISION	SIGNATURE	DATE

**FOUNDATION DETAILS  
OF POSTING BOXES AND  
SECOND POUCH BOX**

**HIGHWAYS DEPARTMENT**

REFERENCE  
KH 4787A

DRAWING No.

CAD

SCALE  
1 : 20

**H 2145C**