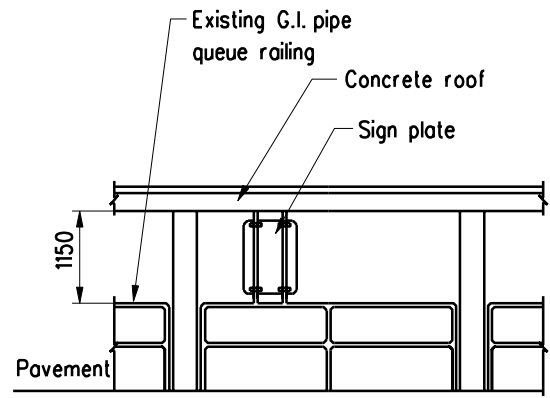
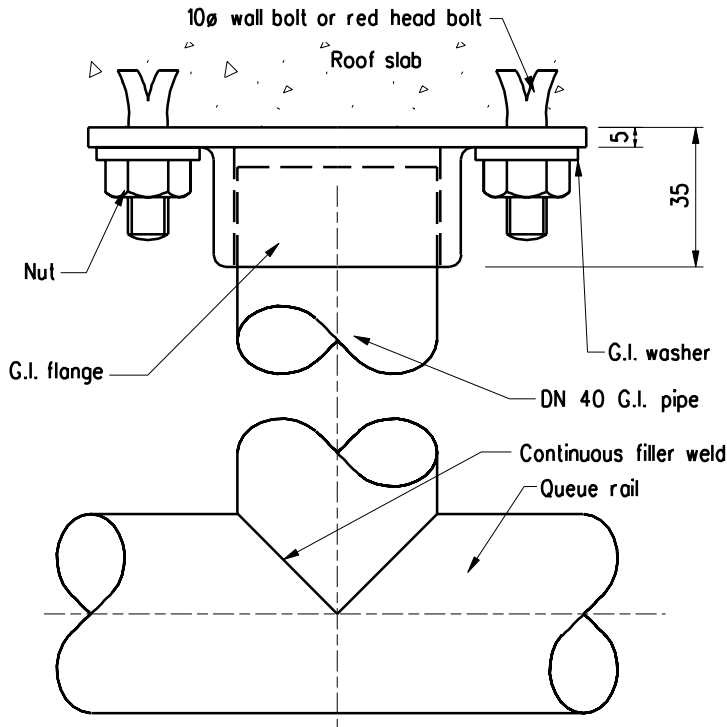


PLAN OF FLANGE

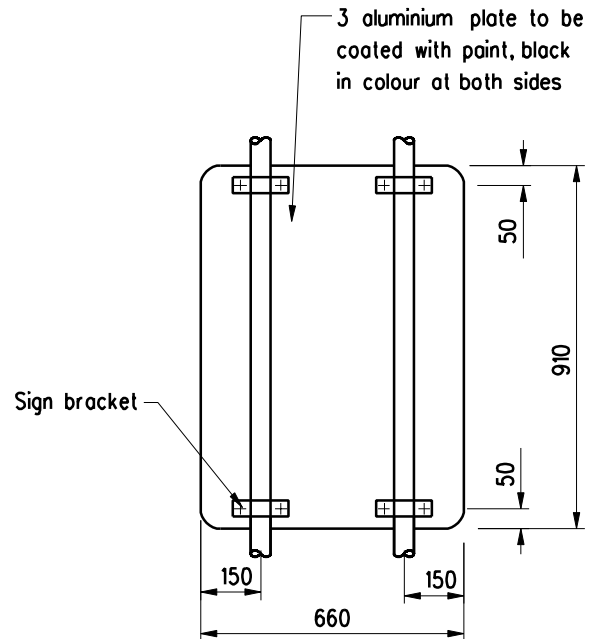


ELEVATION

Scale 1 : 100

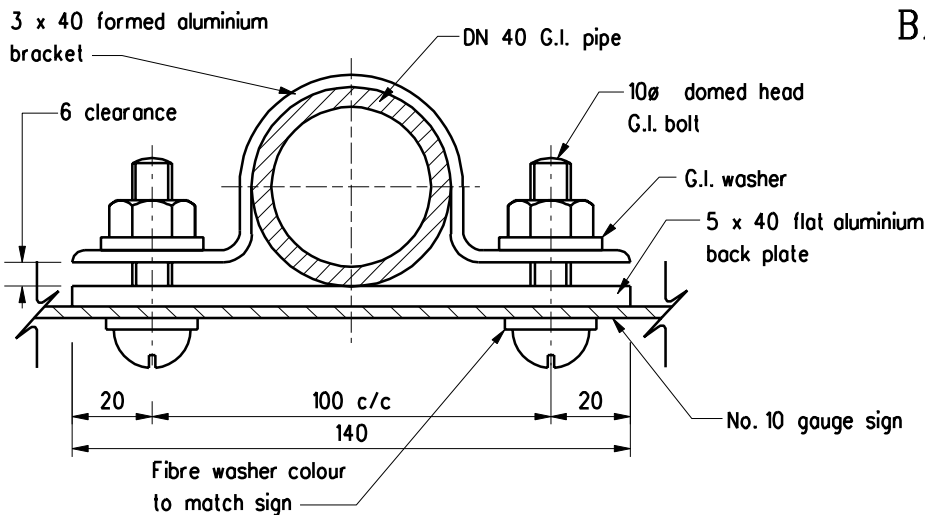


ROOF FIXING DETAILS



BACK ELEVATION OF SIGN PLATE

Scale 1 : 20



SIGN BRACKET DETAILS

Notes :

1. Dimensions are in millimetres.

	Former Drg. No. H2029A		June 94
REF.	REVISION	SIGNATURE	DATE

DETAILS OF SIGN PLATE  
FIXED AT HAND RAILING  
OF BUS SHELTER

HIGHWAYS DEPARTMENT

REFERENCE  
HH1779B

DRAWING No.

CAD

SCALE  
1 : 2

H 2144