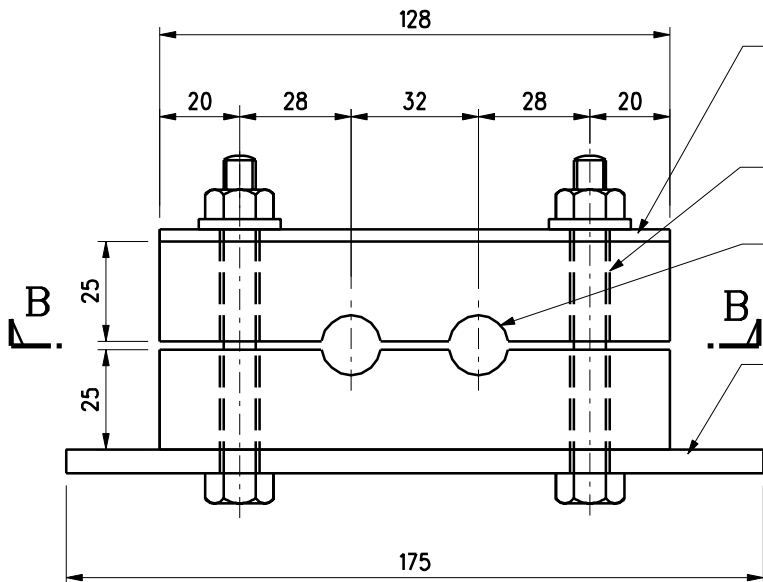
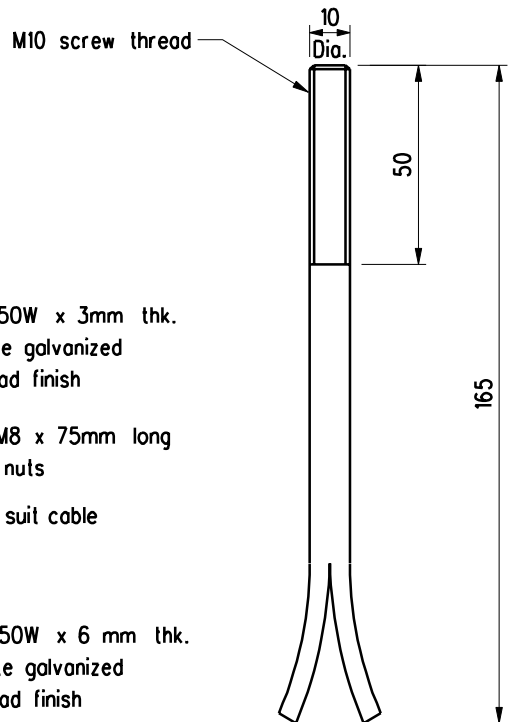


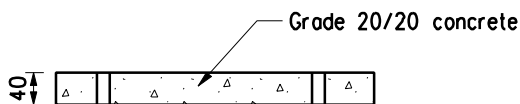
SECTION B - B



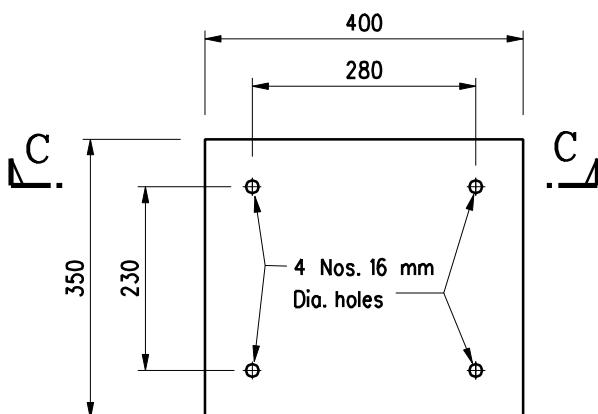
DETAILS OF WOODEN CABLE CLEAT



DETAILS OF
STAINLESS STEEL
RAG BOLT
(TO COMPLY WITH BS6105,
STEEL GRADE A4 AND
PROPERTY CLASS 80)



SECTION C - C



DETAILS OF TEMPORARY
CONCRETE COVER

Scale 1:10
(Concrete cover to be removed
before assemble bollard base)

Notes :

- All dimensions are in millimetres.
Erection instructions :
1. Excavate a suitable hole.
 2. Place 4 concrete pads in position & level.
 3. Place bollard's plinth & cement to pads.
 4. Terminate the cable.
 5. Fill with coarse sand round the pads and inside the plinth up to the bottom edge.
 6. Assemble bollard's base and connect the cable.
 7. Assemble top section of bollard.

A	Galvanized rag bolt amended to stainless steel rag bolt		Mar 2000
	Former Drg. No. H2027/2		June 94
REF.	REVISION	SIGNATURE	DATE

CONCRETE PLINTH FOR
TRAFFIC BOLLARD
(SHEET 2 OF 2)

HIGHWAYS DEPARTMENT

REFERENCE EMSD ST'D Drg.
No. EM (AO) 14108

DRAWING No.

CAD

SCALE 1:2 or
as shown

H 2141A