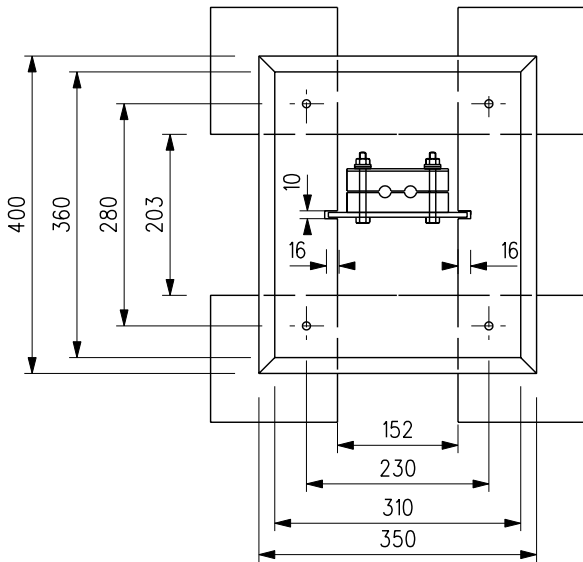


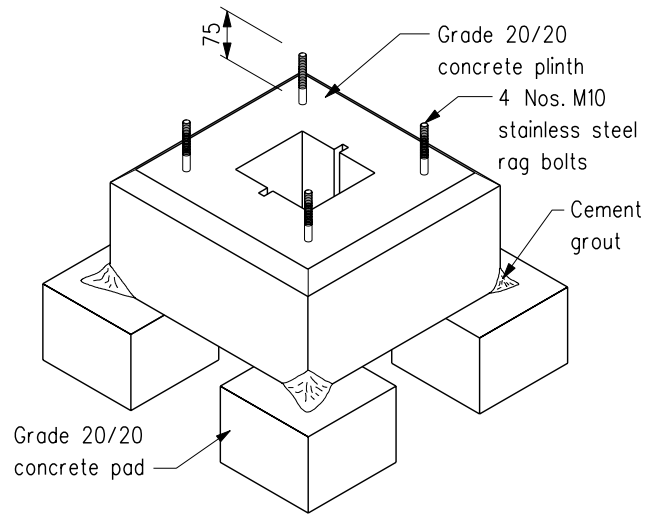
ELEVATION
(Showing plinth section)

SIDE ELEVATION



SECTION A - A

All dimensions are in millimetres.



COMPLETE ASSEMBLY OF THE PLINTH

| | | | |
|------|---|-----------|----------|
| A | Galvanized rag bolt and nut amended to stainless steel rag bolt and nut | | Mar 2000 |
| | Former Drg. No. H2027/1 | | June 94 |
| REF. | REVISION | SIGNATURE | DATE |

**CONCRETE PLINTH FOR
TRAFFIC BOLLARD
(SHEET 1 OF 2)**

HIGHWAYS DEPARTMENT

REFERENCE EMSD ST'D
Drg. No. EM(AO)14108

DRAWING No.

CAD

SCALE 1 : 10

H 2140A