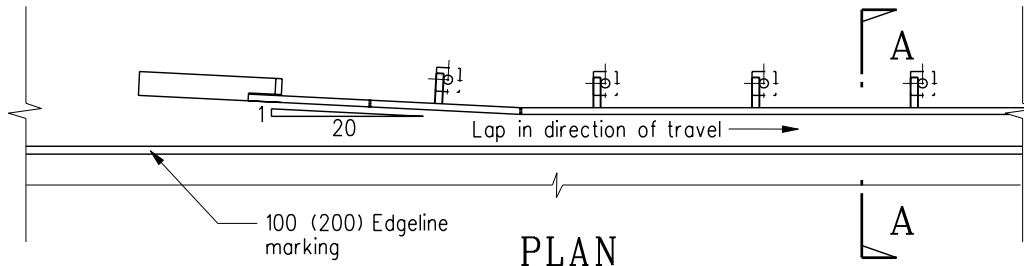
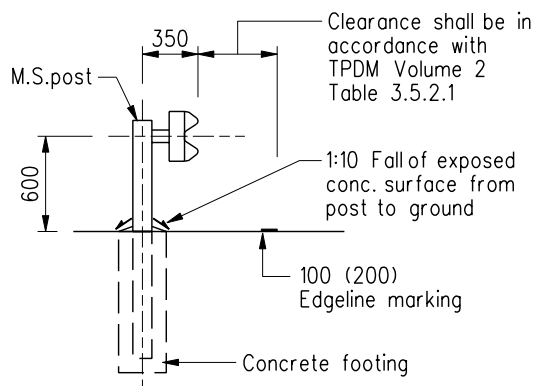


ELEVATION



PLAN

BEAM BARRIER WITH FLARED END AND ANCHOR BLOCK



SECTION A - A

Scale: 1:50

Notes:

1. Dimensions are in millimetres.
2. See Drg. No. H2126 for details of beam mounting.
3. Where the concrete footing is located in block paved footpath, the footing should be made of colour concrete with colour to tie with that of the paving blocks.

REF.	REVISION	SIGNATURE	DATE
C	Beam barrier with beam end special (only to be used in exceptional cases) removed.		Jun 06
B	The horizontal clearance >500 between barrier and edgeline marking amended to be in accordance with TPDM. Note 3 amended.		Dec 00
A	Note 3 added		Nov 99
	Former Drg. No. H2011 with general revision		Jun 94

UNTEMPERED CORRUGATED BEAM BARRIER FOR PROTECTION OF STRUCTURAL COLUMN (SHEET 2 OF 2)

HIGHWAYS DEPARTMENT

REFERENCE

DRAWING No.

CAD

SCALE

1 : 100
or as shown

H 2129C