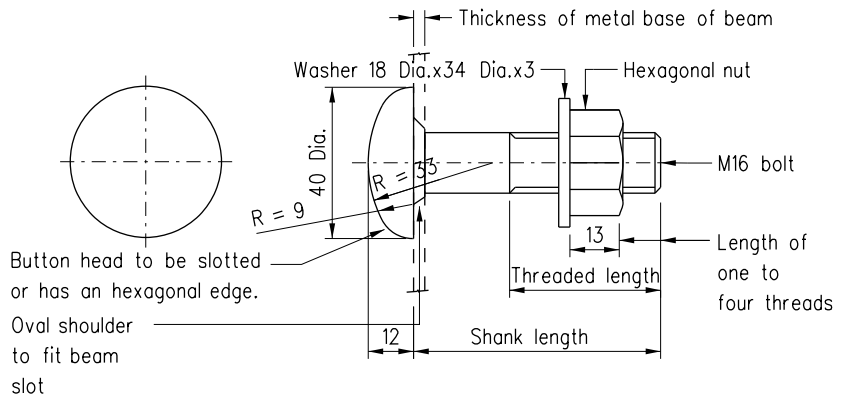
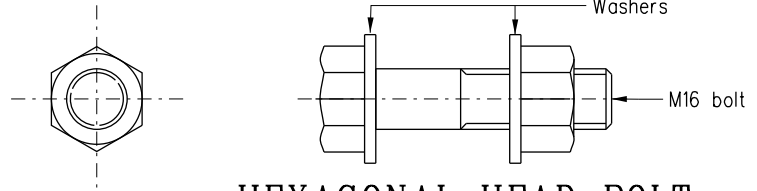


Notes:

1. Dimensions are in millimetres.
2. Nuts shall be topped 0.4mm oversize to accommodate the galvanized coating.
3. Bolts, nuts and washers shall be hot dip galvanized to BS EN ISO 1461: 1999.
4. Bolts and nuts shall comply with B.S.4190 except indicated otherwise.
5. For beam barrier with direct single mounting on footpath, hard rubber cap should be provided to cover the end of the bolt at beam / post position to the satisfaction of the Engineer.



ROUND HEAD BOLT



HEXAGONAL HEAD BOLT

Bolt dimensions				
Position	Outside dimensions of post	Type or head	Recommended shank length	Recommended threaded length
Splice	N.A.	Round	40	38
Beam/post	Channel	Round	40	38
	75 CHS		110	38
	80 x 40 RHS		110	38
	100 x 50 RHS		130	44
	115 CHS		150	44
Beam/cleat	N.A.	Round	40	38
Cleat/strut	N.A.	Hexagonal	50	38
Strut/post	Channel	Hexagonal	50	38
	80 x 40 RHS		80	38
	100 x 50 RHS		90	38
	75 CHS		120	38
	115 CHS		150	44

B	Note 5 added	Original signed	Dec 15
A	Note 3 updated	-	Sep 07
	Former Drg. No. H2017 with general revision	-	Jun 94
REF.	REVISION	SIGNATURE	DATE

**BEAM BARRIER -
SPLICE BOLTS,
NUT AND WASHER**

HIGHWAYS DEPARTMENT

REFERENCE

DRAWING No.

CAD

SCALE

1 : 2

H 2127B