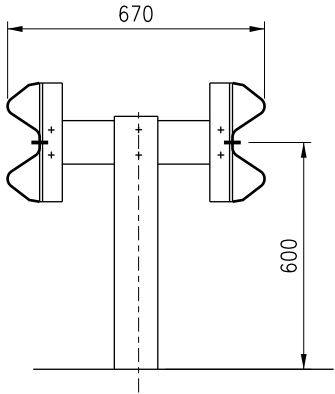
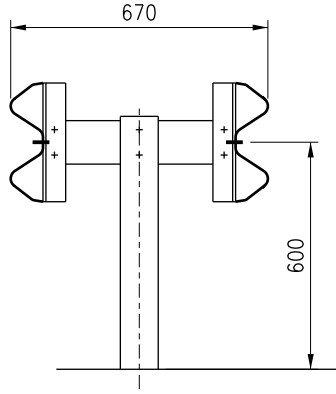
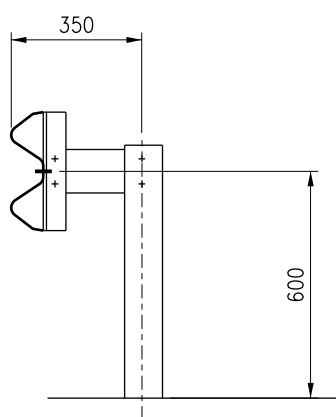
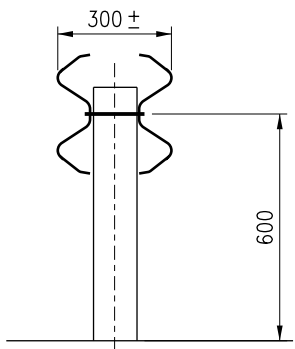
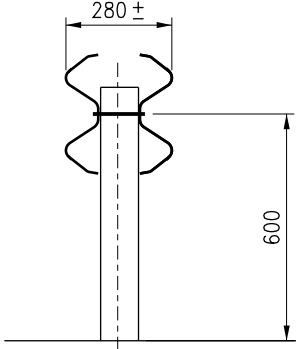
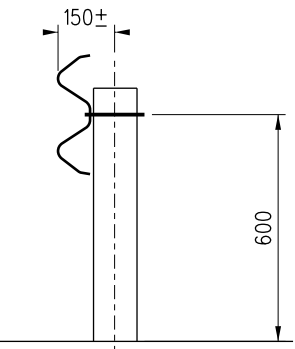
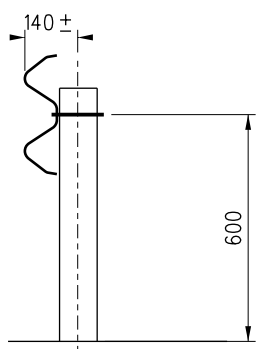


CHS POST	RHS POST	
		BLOCKED - OUT DOUBLE MOUNTING
<p>Notes:</p> <ol style="list-style-type: none"> <li>1. CHS posts are not suitable for single blocked-out mountings.</li> <li>2. Widths may be varied for cases shown in H2114 &amp; H2119.</li> <li>3. Sufficient washers are to be provided at centre fixing for rail to be mounted vertical.</li> <li>4. Dimensions are in millimetres.</li> <li>5. See Drg. No. H2123 and H2125 for details of cleats struts and posts.</li> </ol>		BLOCKED - OUT SINGLE MOUNTING
		DIRECT DOUBLE MOUNTING
		DIRECT SINGLE MOUNTING

A	Details for Channel Section deleted ; original note 5 deleted	Original signed	Dec 15
	Former Drg. No. H2016 with general revision	-	June 94
REF.	REVISION	SIGNATURE	DATE

<h1>BEAM BARRIER - ALTERNATIVE MOUNTINGS</h1>	<h2>HIGHWAYS DEPARTMENT</h2>		
	REFERENCE	DRAWING No.	CAD
	SCALE 1: 20	<h1>H 2126A</h1>	