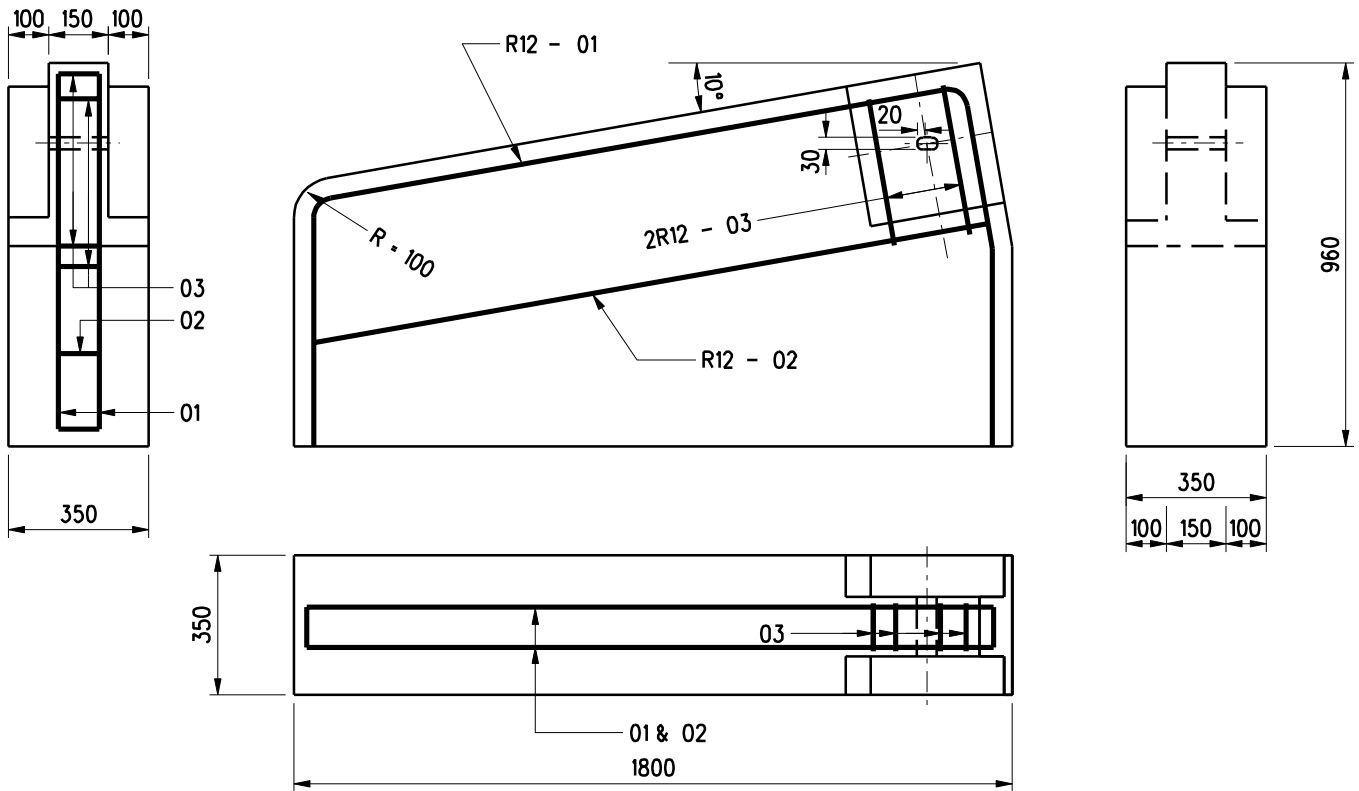


### NORMAL DOUBLE MOUNTING



### DIRECT DOUBLE MOUNTING

All dimensions are in millimetres

	Former Drg. No. H2013/1 with general revision		June 94
REF.	REVISION	SIGNATURE	DATE

BEAM BARRIER -  
ANCHOR BLOCKS  
(SHEET 1 OF 2)

HIGHWAYS DEPARTMENT	
REFERENCE	DRAWING No. CAD
SCALE 1:20	H 2121