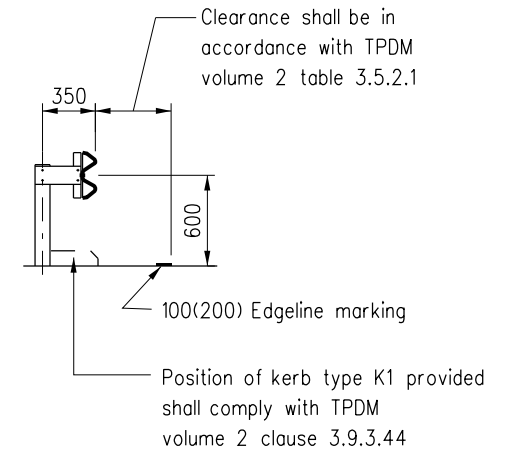
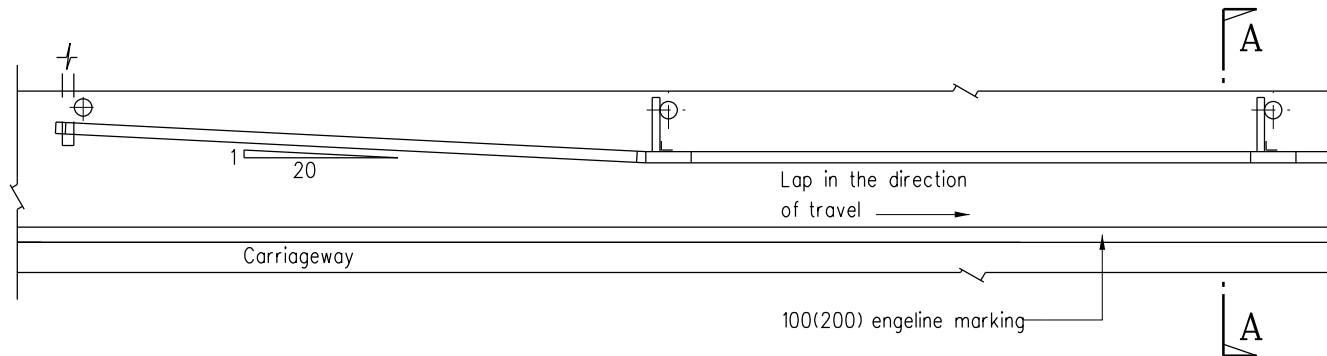


ELEVATION FOR ROADSIDE AND CENTRAL RESERVATION



SECTION A - A



PLAN FOR ROADSIDE

Notes :

1. Dimensions are in millimetres

A	Section A-A updated	Original signed	Oct 14
	Former Drg. No. H2007/1 with general revision	—	June 94
REF.	REVISION	SIGNATURE	DATE

UNENSIONED CORRUGATED BEAM BARRIER
WITH COMPACTED EARTH FOOTINGS
(SHEET 1 OF 2)

HIGHWAYS DEPARTMENT

REFERENCE	DRAWING No.	CAD
SCALE 1 : 50	H 2113A	