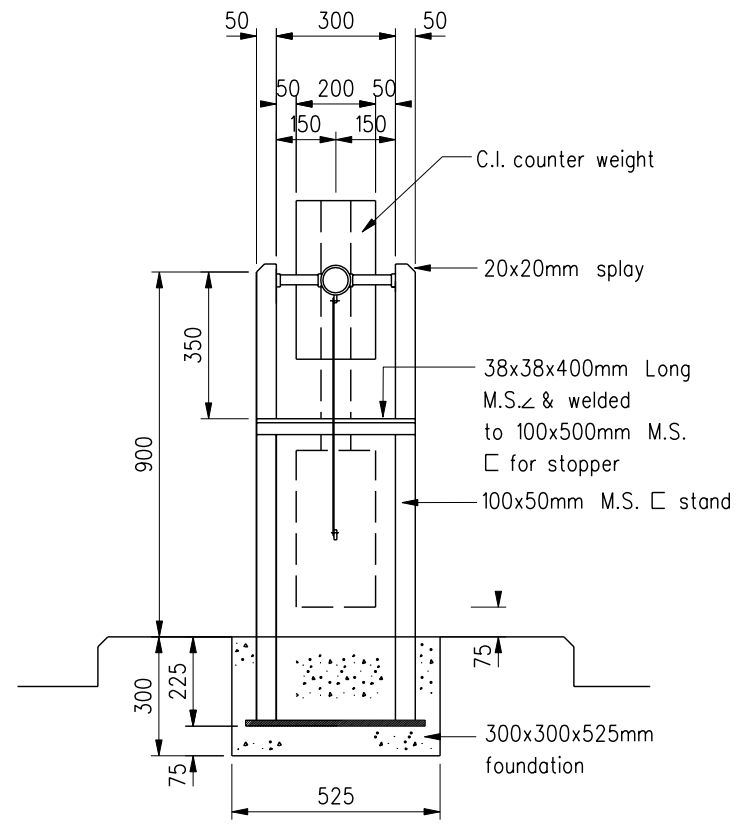
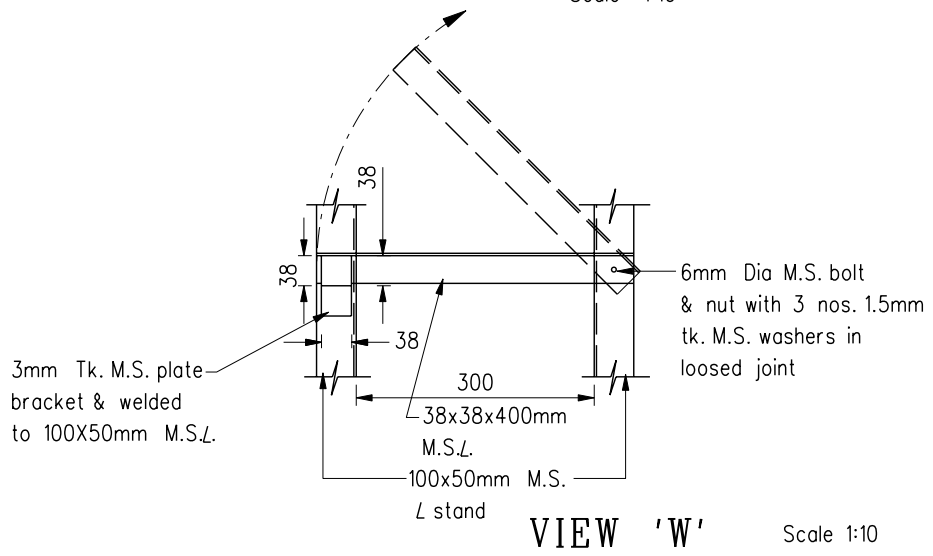


SECTION B - B SECTION C - C
 DETAILS OF C.I. COUNTER - WEIGHT
 Scale 1:10



SECTION A - A
 Scale 1:20



VIEW 'W' Scale 1:10

	Former Drg. No. H2003/2A with general revision		June 94
REF.	REVISION	SIGNATURE	DATE

DETAILS OF BARRIER FOR
 CENTRAL DIVIDING STRIPS
 (SHEET 2 OF 3)

HIGHWAYS DEPARTMENT		
REFERENCE	DRAWING No.	CAD
SCALE	H 2110	
As shown		