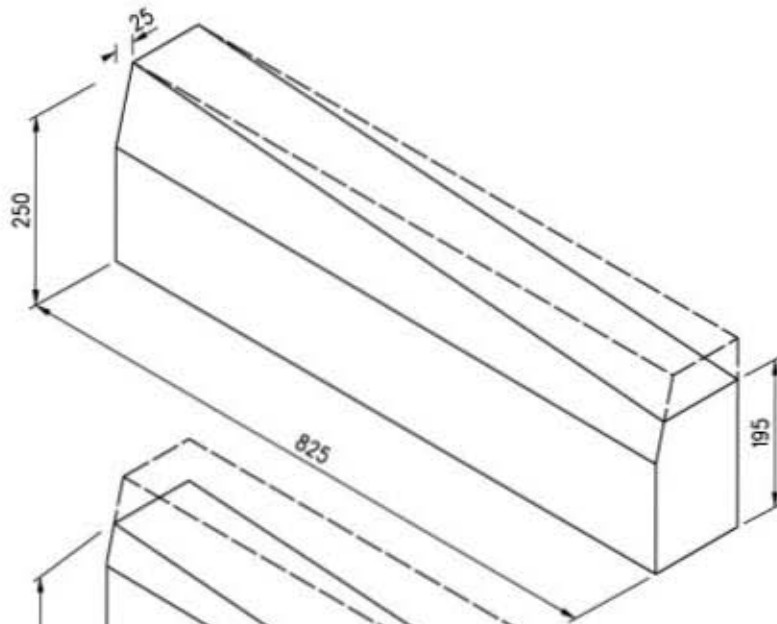
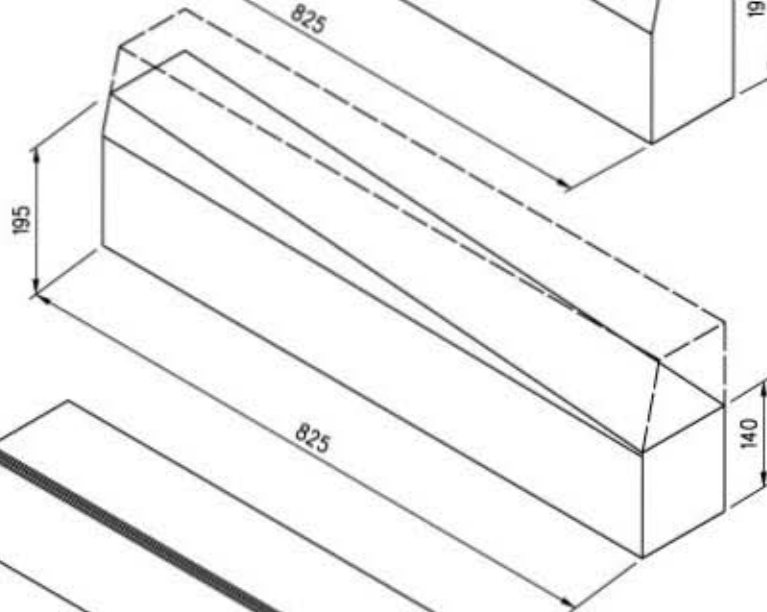


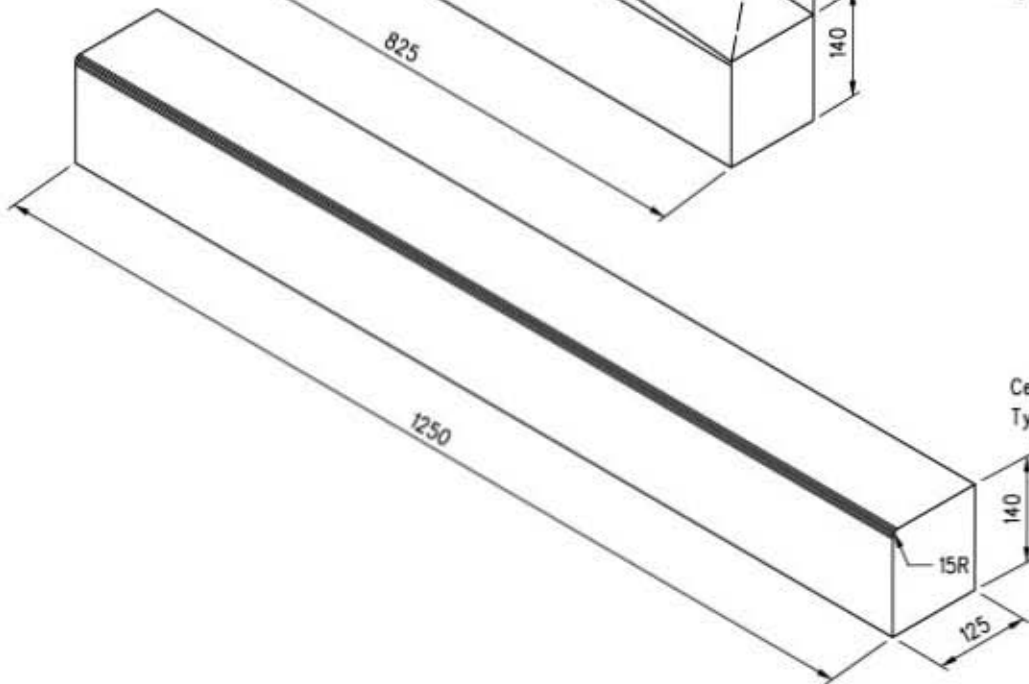
DOUBLE DROP CROSSING KERBS



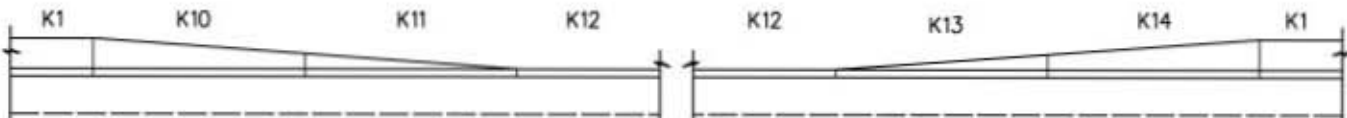
Left hand drop kerb
Type K10
(Right Hand - K14)



Left hand drop kerb
Type K11
(Right Hand - K13)



Centre drop kerb
Type K12



PRECAST CONCRETE
KERBS FOR PEDESTRIAN
CROSSINGS

REF.	REVISION	SIGNATURE	DATE
HIGHWAYS DEPARTMENT			
REFERENCE		DRAWING No.	CAD
SCALE 1:10		H 1134	