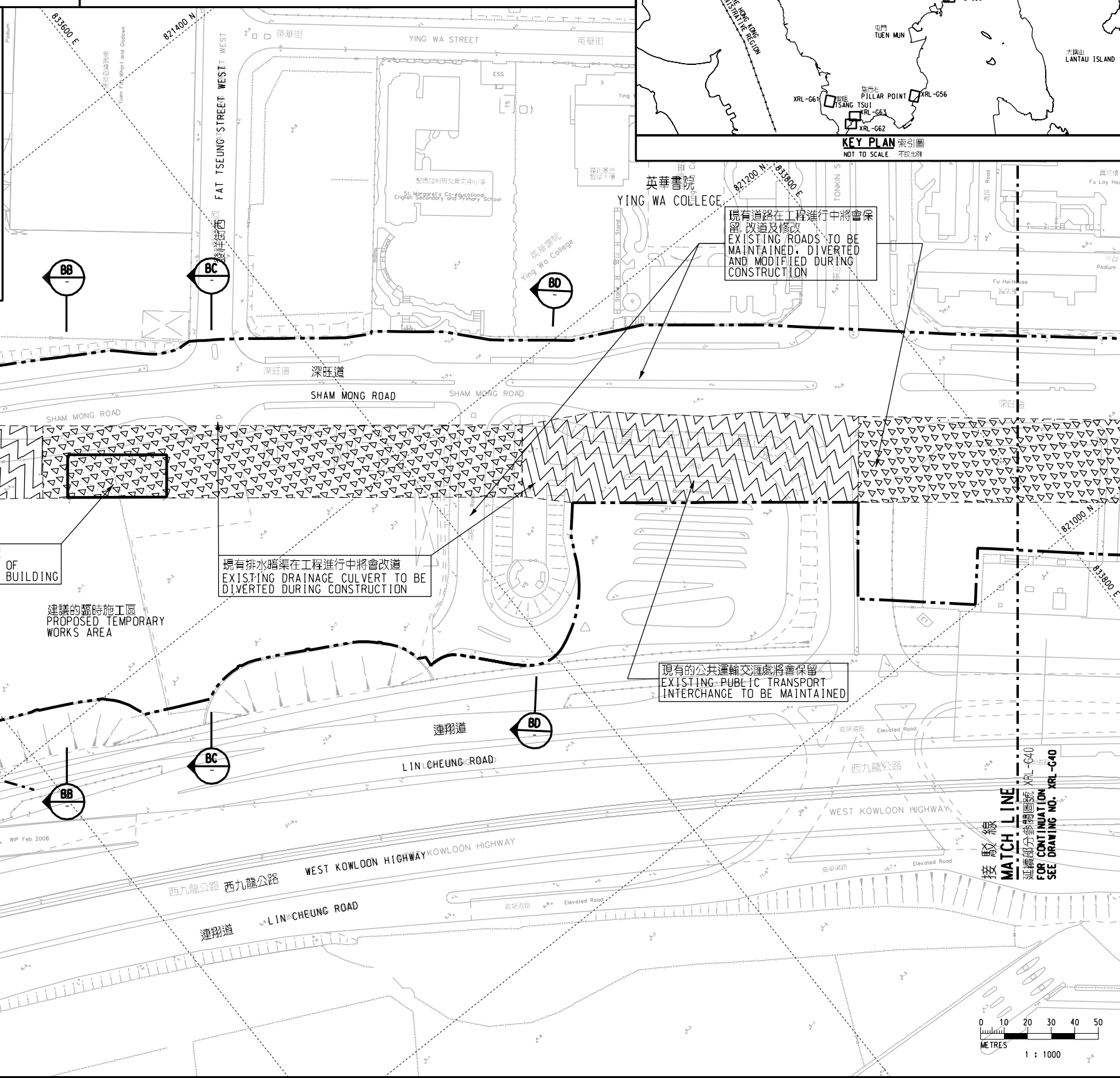
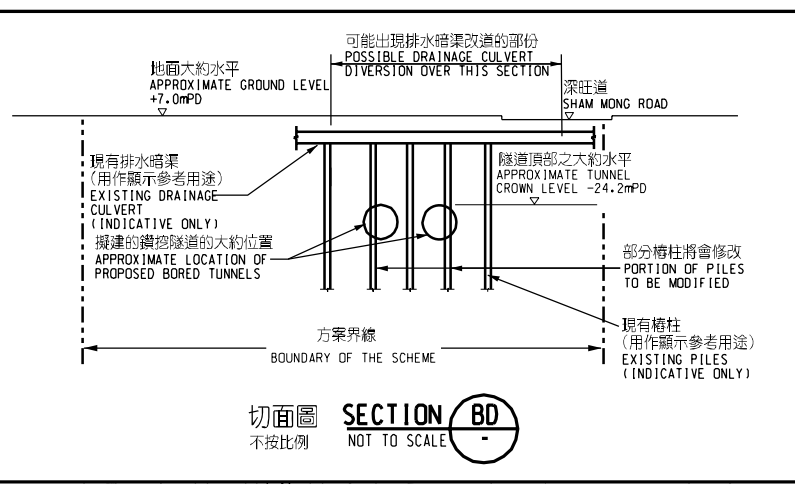
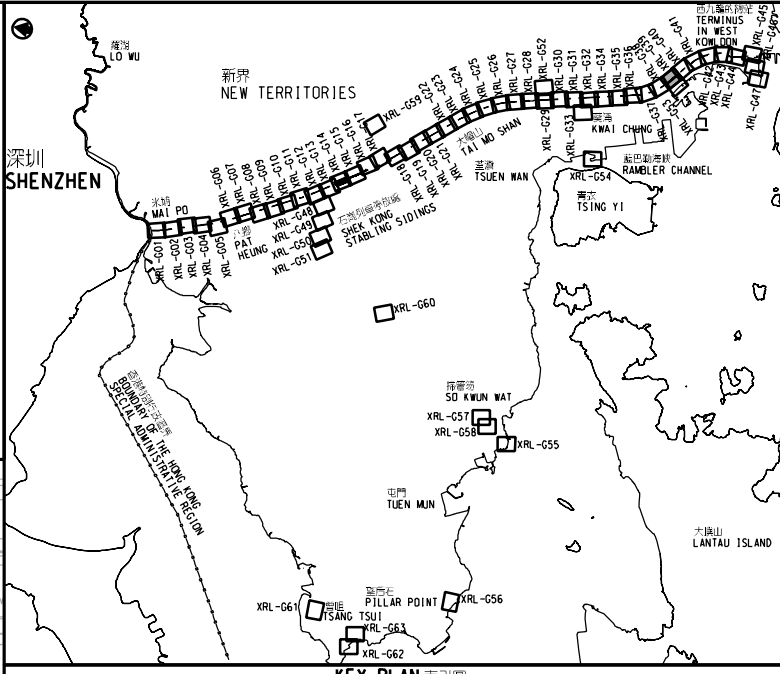
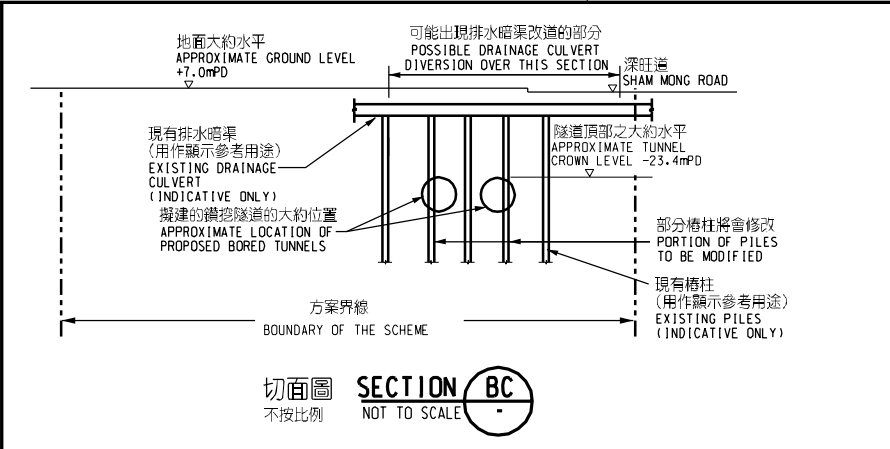
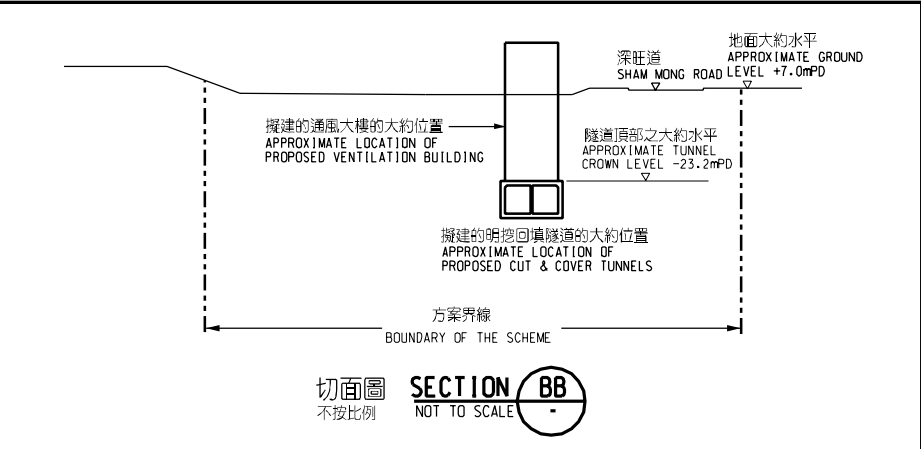


DRAWING NO. XRL-G39



**圖例 LEGEND**

- 方案界線  
BOUNDARY OF THE SCHEME
- 擬建的車站及其他鐵路設施  
PROPOSED STATION AND OTHER RAILWAY FACILITIES
- 擬建的車站及其他鐵路設施(地下)  
PROPOSED STATION AND OTHER RAILWAY FACILITIES (UNDERGROUND)
- 擬建的鑽挖或掘掘或鑽爆隧道  
PROPOSED BORED / MINED / DRILL AND BLAST TUNNEL
- 擬採用明挖回填法興建的鐵路設施或隧道  
PROPOSED RAILWAY FACILITIES/TUNNEL BY CUT-AND-COVER METHOD
- 擬建的地下臨時建築通道  
PROPOSED TEMPORARY UNDERGROUND CONSTRUCTION ACCESS
- 可能永久封閉的道路  
(包括行車道和行人徑)  
ROADS (INCLUDING CARRIAGEWAY AND FOOTPATH) WHICH MAY BE CLOSED PERMANENTLY
- 擬建的緊急車輛通道及行車道  
PROPOSED EMERGENCY VEHICULAR ACCESS AND CARRIAGEWAY
- 擬建的行人徑  
PROPOSED FOOTPATH
- 現有的行人天橋將受影響  
EXISTING FOOTBRIDGE TO BE AFFECTED
- 擬建的臨時行人天橋/地面行人過路處  
AT-GRADE PEDESTRIAN CROSSING
- 擬建的行人天橋  
PROPOSED FOOTBRIDGE
- 可能在其上進行填海工程或其他工程的政府前濱或海床  
GOVERNMENT FORESHORE OR SEABED OVER OR UPON WHICH RECLAMATION OR OTHER WORKS MAY BE CARRIED OUT

**一般說明 GENERAL NOTES**

1. 有關一般說明參閱圖號 XRL-G01.  
FOR GENERAL NOTES, REFER TO DRAWING NO. XRL-G01.

修訂表  
TABLE OF AMENDMENTS

修訂	日期	由	經	負責	說明
REV	DATE	BY	SUB	APP	DESCRIPTION

發給日期 DATE OF ISSUE

發給發出 APPROVED FOR ISSUE

路政署  
鐵路拓展處處長(2)  
GOVERNMENT ENGINEER/  
RAILWAY DEVELOPMENT (2)  
HIGHWAYS DEPARTMENT

圖則名稱 DRAWING TITLE

廣深港高速鐵路香港段  
鐵路條例(第519章)  
總體規劃圖則 63頁的第39頁  
HONG KONG SECTION OF  
GUANGZHOU - SHENZHEN - HONG KONG  
EXPRESS RAIL LINK  
RAILWAYS ORDINANCE (CHAPTER 519)  
GENERAL LAYOUT PLAN SHEET 39 OF 63

圖號 DRAWING NO.

XRL - G39

比例 SCALE

1:1000 (A1)  
或如顯示  
AS SHOWN

香港特別行政區政府  
THE GOVERNMENT OF THE HONG KONG  
SPECIAL ADMINISTRATIVE REGION

路政署  
HIGHWAYS DEPARTMENT

鐵路拓展處  
RAILWAY DEVELOPMENT OFFICE

