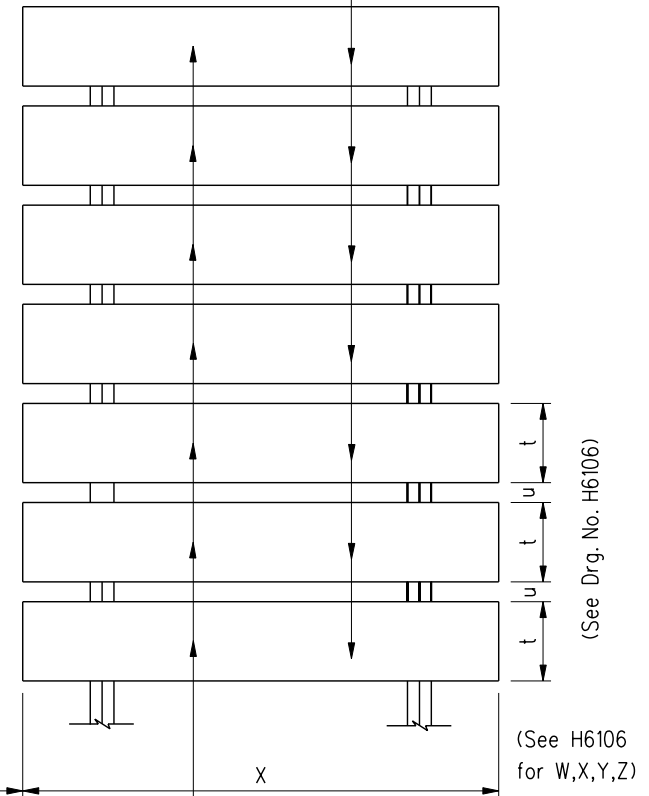
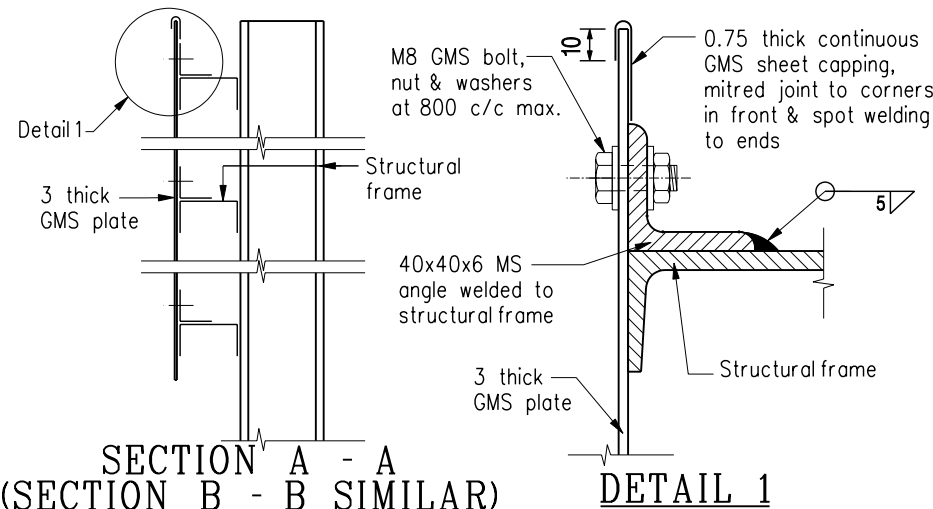


3 thick GMS plate fixed to steelangle with M8 GMS bolts, nuts and washers at 800 c/c max. Steelangle to be welded on structural frame



Background painted red



NOTES : White Background painted red

1. All dimensions are in millimetres.
2. All GMS panel plates, capping sheets shall be painted with system H stated in G.S. Table 25.7
3. The fixing details have been designed for wind load of normal exposed urban condition.

NAME SIGNBOARD

A	Signboard material revised according to WBTC 19/99 and Highways Department in Chinese is placed at the top of signboard	Dec. 99
	Former Drg. No. H6006/2	June 94
REF.	REVISION	SIGNATURE DATE

MAJOR PROJECT SIGNBOARD (SHEET 2 OF 2)

HIGHWAYS DEPARTMENT	
REFERENCE	DRAWING No. CAD
SCALE Diagrammatic	H 6107A