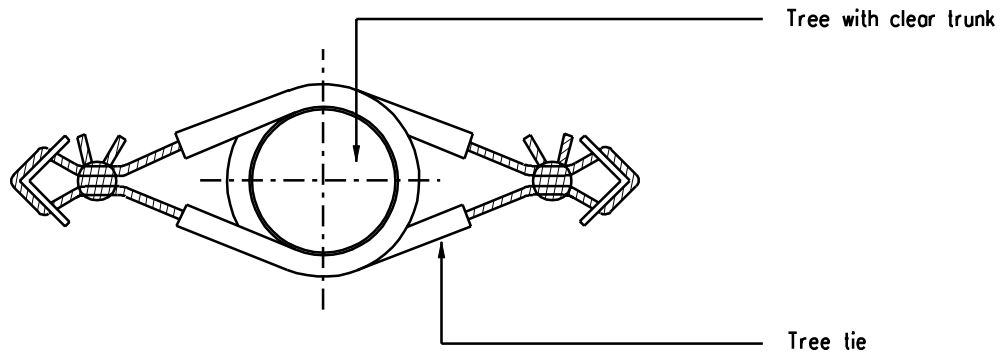


ELEVATION



PLAN

Note:

1. All dimensions are in millimetres.

	New issue		May 97
REF.	REVISION	SIGNATURE	DATE

HIGHWAYS DEPARTMENT

TREE TIE

REFERENCE

DRAWING No.

CAD

SCALE

1:5

H 5117