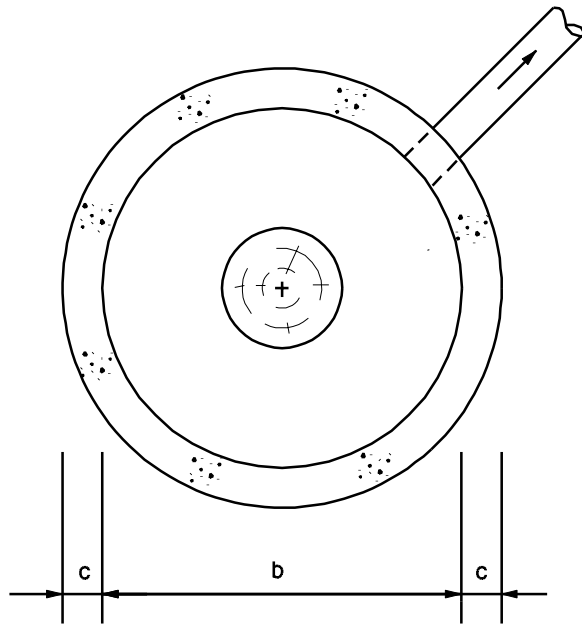


SECTION



PLAN

Tree trunk Diameter (mm)	Concrete ring (mm)		
	a (Height)	b (Width)	c (Thickness)
Below 300	Below 600	900	100
300 - 600	Below 600	1800	125
601 - 900	600 -1200	2700	150

Note :

1. Landscape Unit/HyD should be consulted when the grounds are raised to the levels which exceed the range stated in the Table.

	New issue		May 97
REF.	REVISION	SIGNATURE	DATE

RETAINING EXISTING TREE
FOR RAISING GROUND LEVEL

HIGHWAYS DEPARTMENT

REFERENCE

DRAWING No.

CAD

SCALE

1 : 20

H 5113