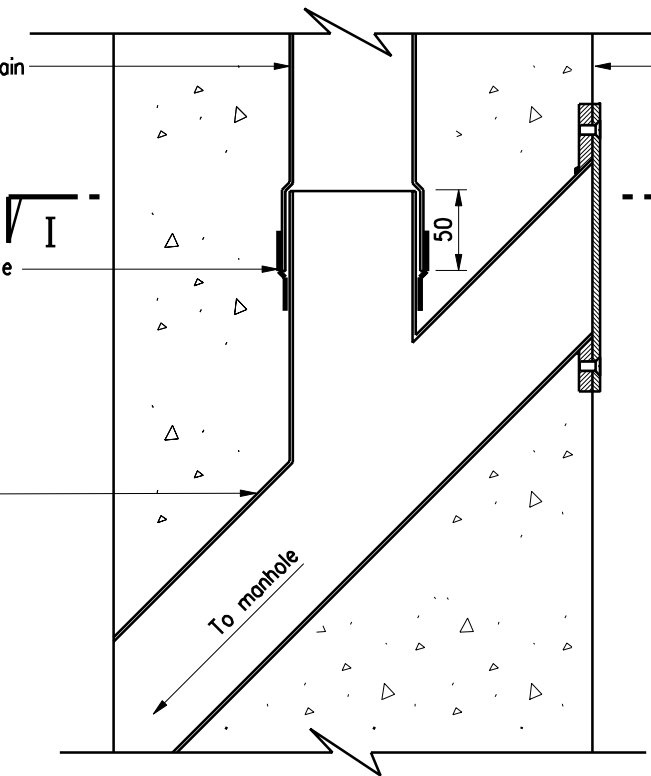


75 INT. Dia. PVC drain pipe in column

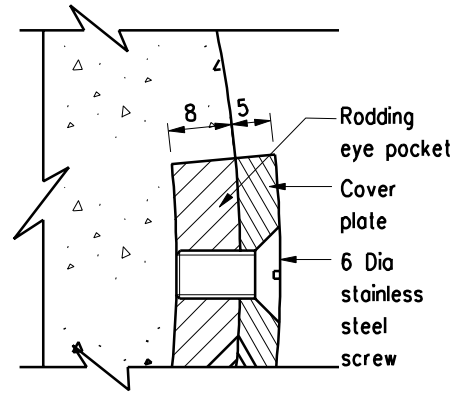
300 Dia. column reinforcement not shown for clarity

Wrapped by adhesive tape approved by the Engineer

75 Dia. 2mm thick stainless steel tube cut and welded to shape

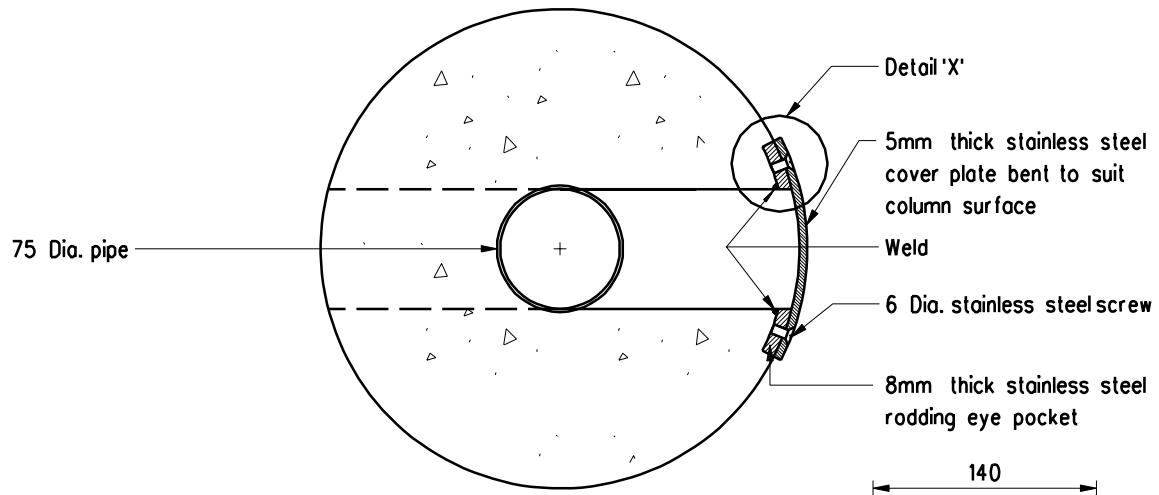


VIEW 'A'

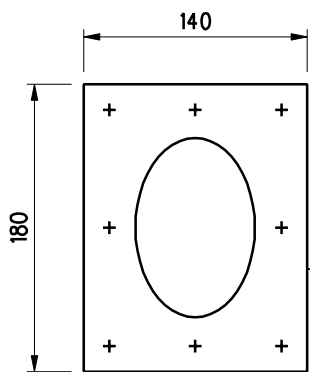


RODDING EYE
Scale 1:5

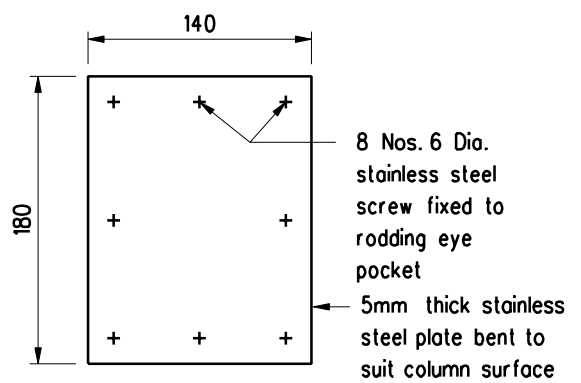
DETAIL 'X'
Scale 1:1



SECTION I - I
Scale 1:5



VIEW 'A'
Scale 1:5



COVER PLATE
Scale 1:5

	Former Drg. No. H2039/7 with general revision		June 94
REF.	REVISION	SIGNATURE	DATE

BUS SHELTER -
RODDING EYE DETAILS
OF DRAIN PIPE

HIGHWAYS DEPARTMENT		DRAWING No.	CAD
REFERENCE	H 4115		
SCALE	As shown		