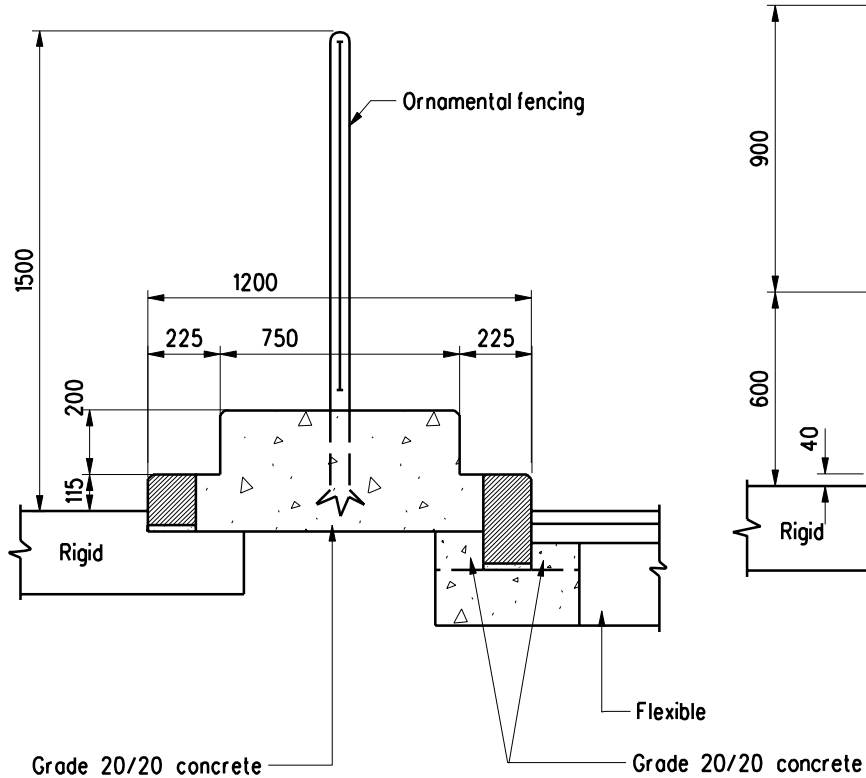
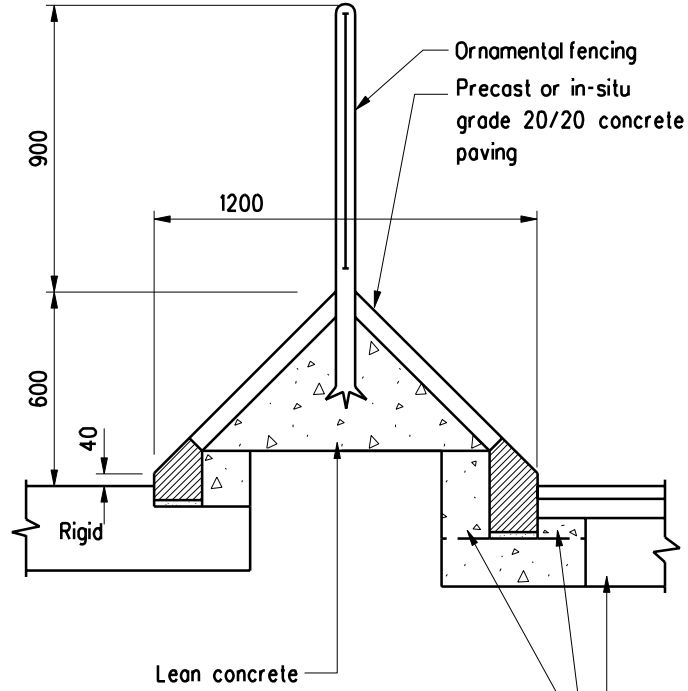


Notes :

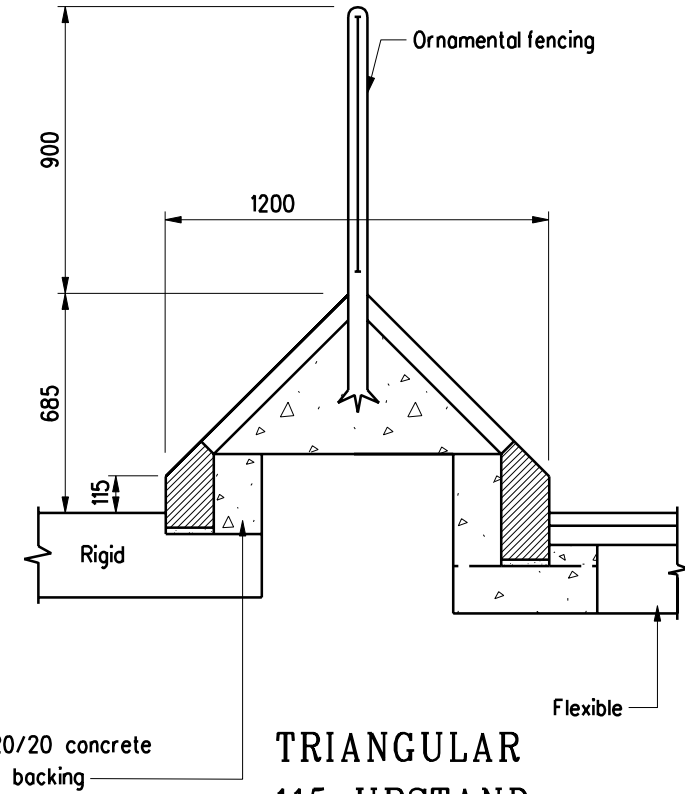
1. Dimensions are in millimetres .
2. No new railing of this type shall be constructed



STEPPED



TRIANGULAR
40 UPSTAND



TRIANGULAR
115 UPSTAND

	Former Drg. No. H4004A with general revision		June 94
REF.	REVISION	SIGNATURE	DATE

ALTERNATIVE FORMS OF CENTRAL DIVIDER -
FOR MINOR REPAIRS OF EXISTING RAILING

HIGHWAYS DEPARTMENT

REFERENCE	DRAWING No.	CAD
SCALE 1 : 25	H 4104	