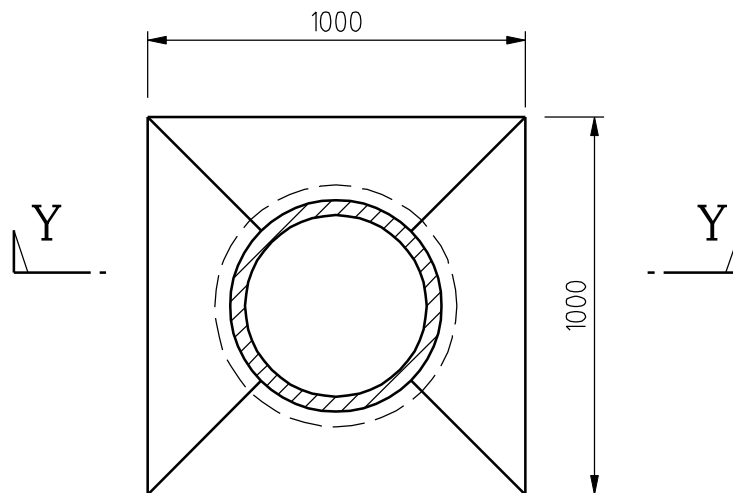


SECTION Y - Y



PLAN

Notes :

1. All dimensions are in millimetres.

	Extracted from former drg. no. H2145B		Aug 02
REF.	REVISION	SIGNATURE	DATE

FOUNDATION DETAILS OF  
TYPE A-B POSTING BOX

HIGHWAYS DEPARTMENT

REFERENCE  
KH 4787A

DRAWING No.

CAD

SCALE  
1:20

H 4118