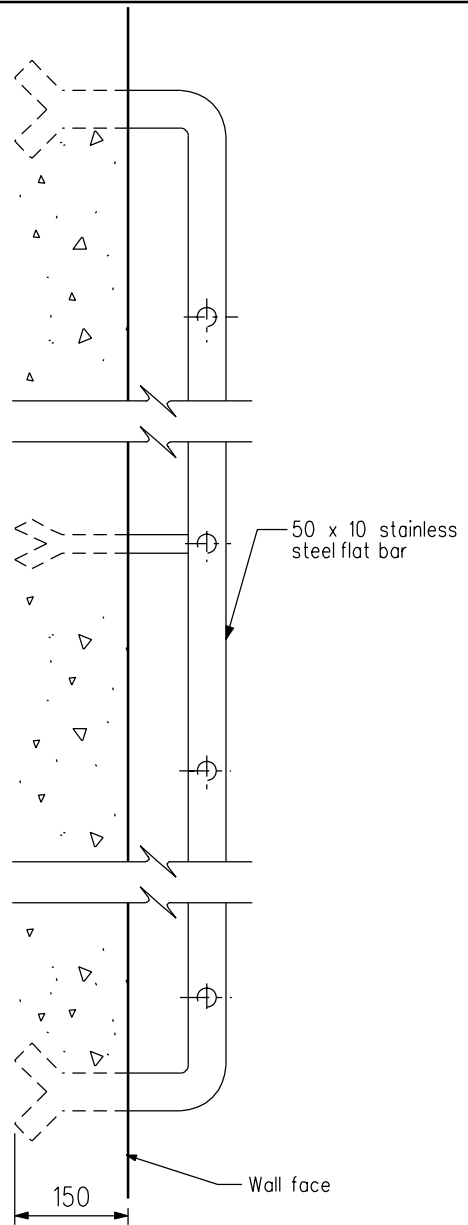
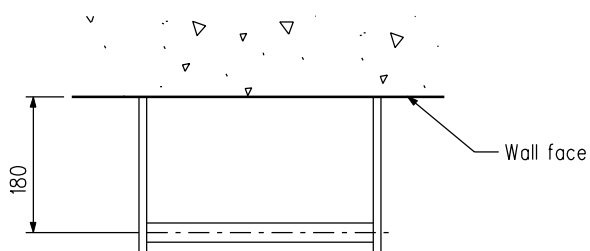


**ELEVATION**



**SECTION D - D**



**PLAN**

**ACCESS LADDER**

Note :

See H3134A for general notes

**PETROL INTERCEPTOR  
FOR OPEN PUBLIC  
TRANSPORT INTERCHANGE  
(SHEET 6 OF 11)**

A	General revision		Nov. 02
	Former drg. no. H3028/6A with general revision		June 94
REF.	REVISION	SIGNATURE	DATE

**HIGHWAYS DEPARTMENT**

REFERENCE	DRAWING No.	CAD
SCALE	H 3139A	
1 : 10		