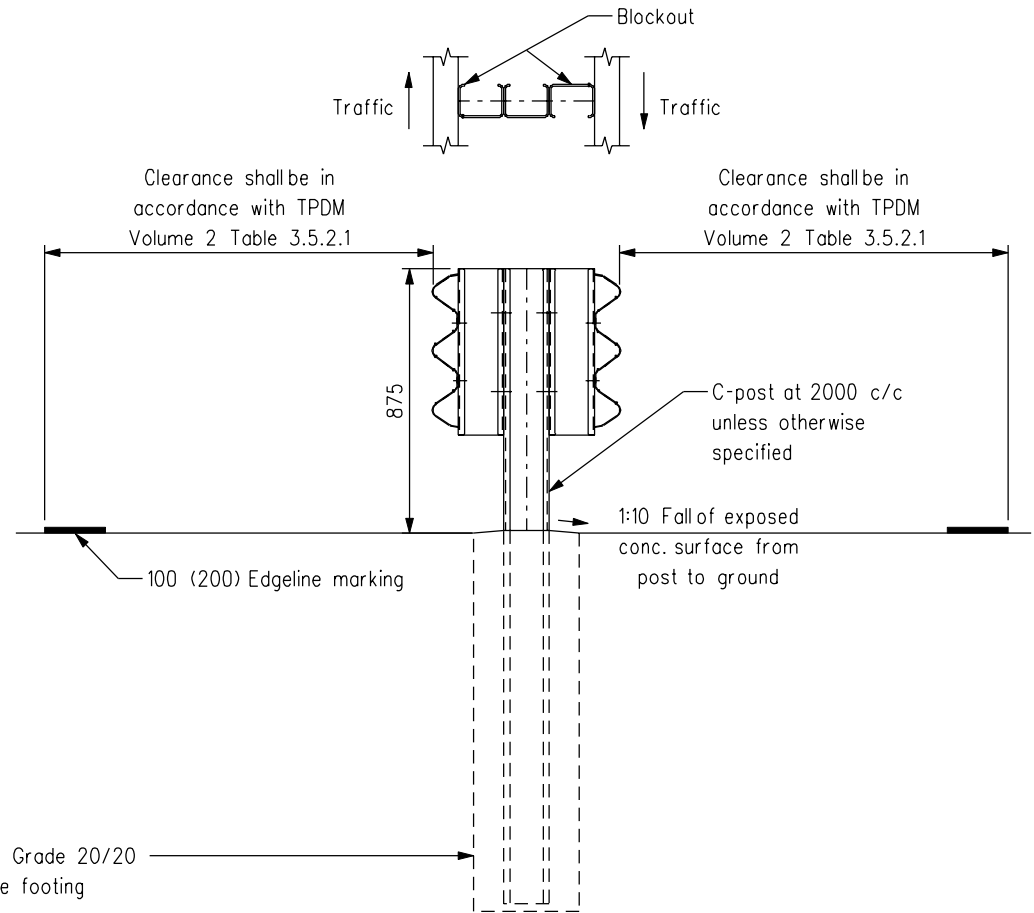


SINGLE MOUNTING OF  
STANDARD THRIE-BEAM



DOUBLE MOUNTING OF  
STANDARD THRIE-BEAM

Notes:  
1. See drawing H2190 and H2191 for notes.

	New issue		Nov. 02
REF.	REVISION	SIGNATURE	DATE

# STANDARD THRIE-BEAM - TYPICAL MOUNTING DETAILS

## HIGHWAYS DEPARTMENT

REFERENCE	DRAWING No.	CAD
-----------	-------------	-----

SCALE	1: 25
-------	-------

# H 2192