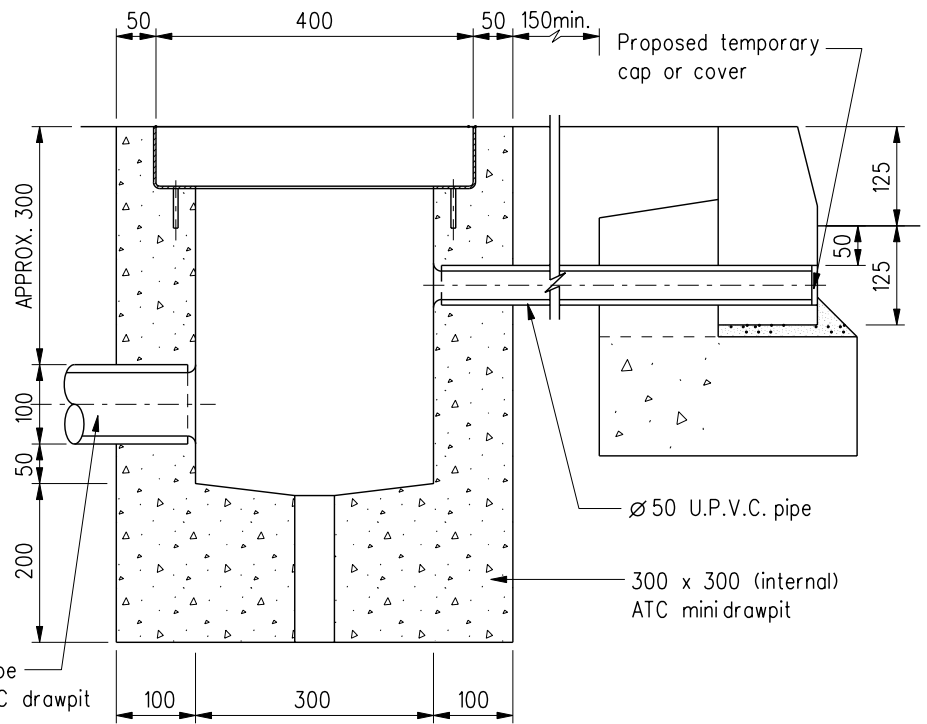
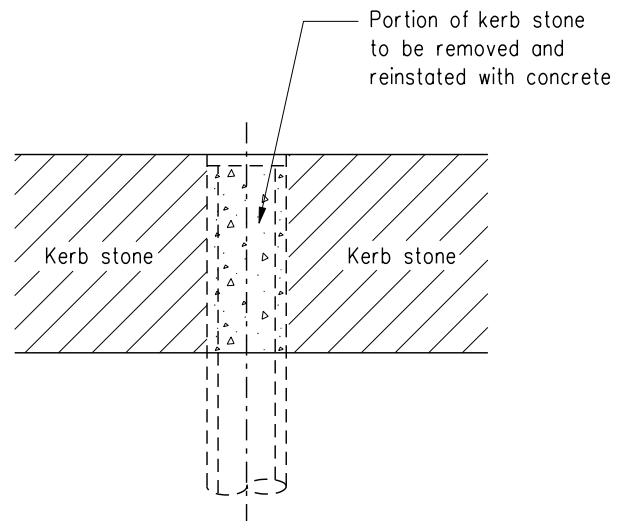
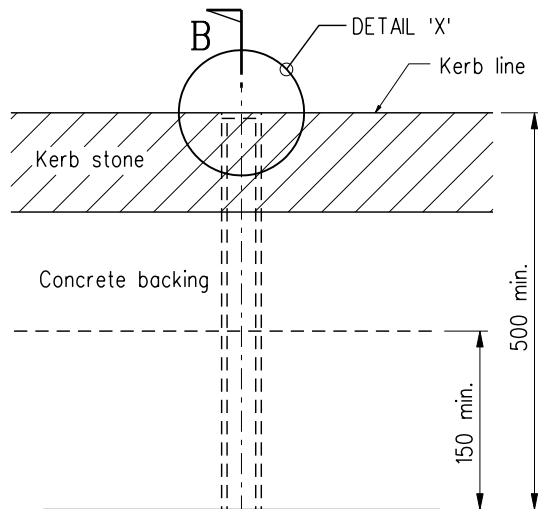


**SECTION A - A**



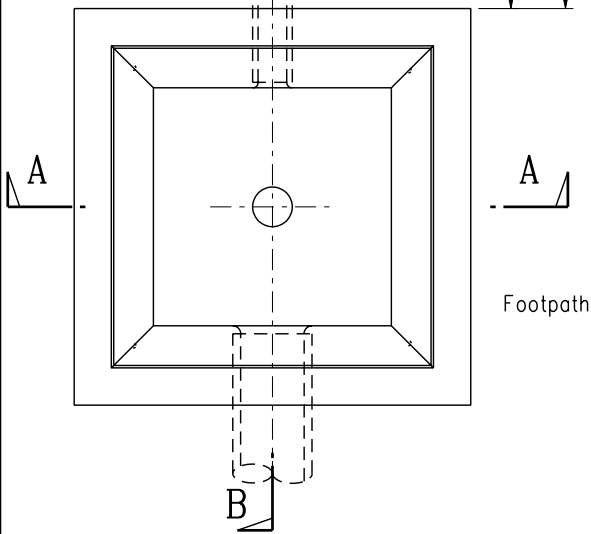
**SECTION B - B**

( Without cover )



**DETAIL 'X'**

Scale 1:5



**PLAN**

( Without cover )

Notes:

1. All dimensions are in millimetres.
2. Cable ducts shall be sealed by using plugs for blank ducts and sealing material for ducts containing cables as shown on Drg. Nos. H 2243 to H 2245.

A	Notes 1 and 2 added. Dia. of drain hole included.		Apr 05
	New Issue		May 99
REF.	REVISION	SIGNATURE	DATE

**DETAILS OF MINI  
DRAWPIT FOR  
DETECTOR LOOP**

**HIGHWAYS DEPARTMENT**

REFERENCE  
Drg. ATC 1087A

DRAWING No.

CAD

SCALE  
1:10 or  
As shown

**H 2182A**