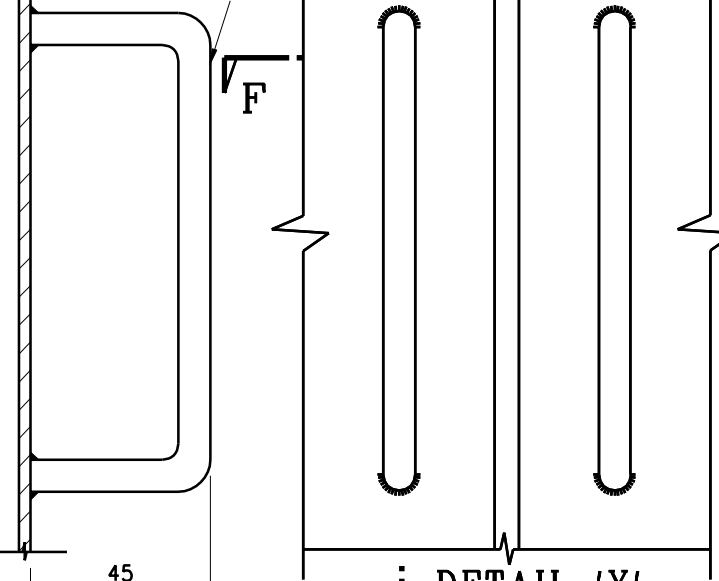
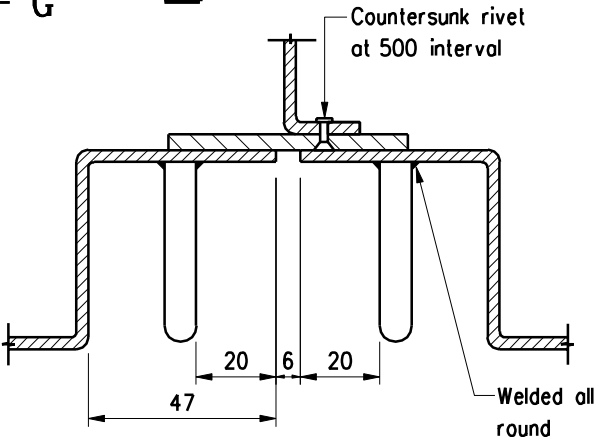


Door handles made of 8 ϕ M.S. rod welded to doors before galvanizing

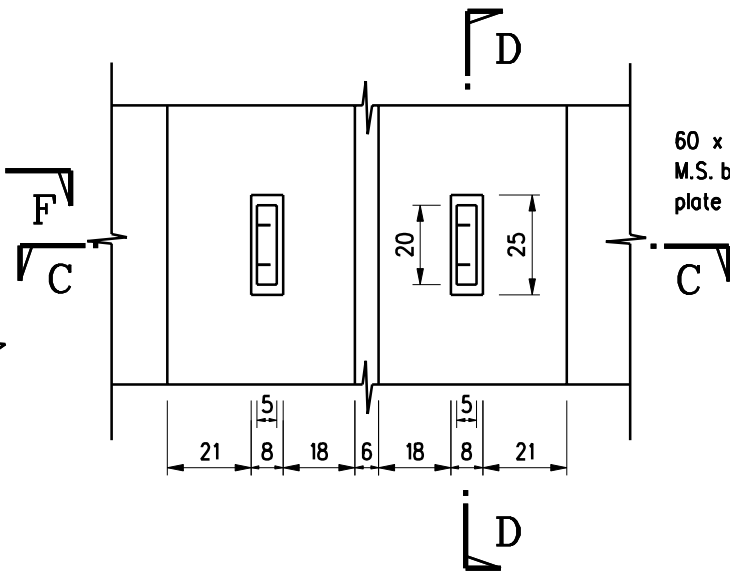


SEC. G - G

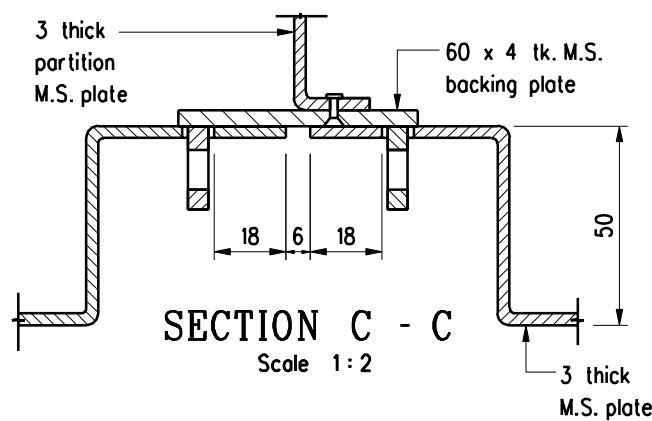
DETAIL 'X'
Scale 1:2



SEC. F - F
Scale 1:2

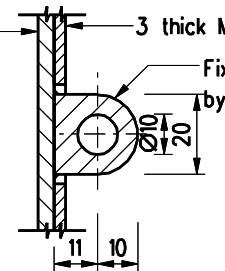


DETAIL 'Y'
PADLOCK RING PLATES
Scale 1:2

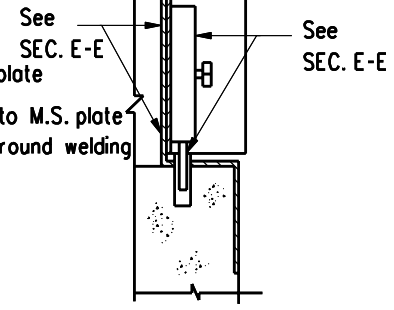


SECTION C - C
Scale 1:2

60 x 4 thick M.S. backing plate



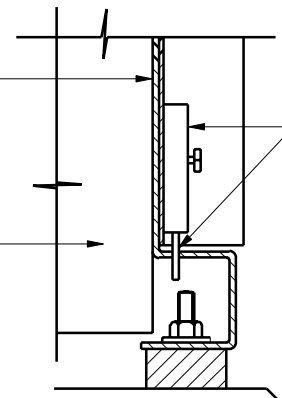
SECTION D - D
Scale 1:2



SECTION H - H
(For recessed type only)
Scale 1:5

Backing plate welded to each door at top and bottom frame

Partition M.S. plate



SECTION E - E

Scale 1:5 (For plinth-mounted type only)

Former Drg. No. H2040/3A & H2041/3A with general revision		June 94	
REF.	REVISION	SIGNATURE	DATE

ROAD LIGHTING - ELECTRICITY
METER BOXES
PLINTH MOUNTED TYPE AND
RECESSED TYPE

HIGHWAYS DEPARTMENT		
REFERENCE	DRAWING No.	CAD
SCALE	H 2177	
As shown		