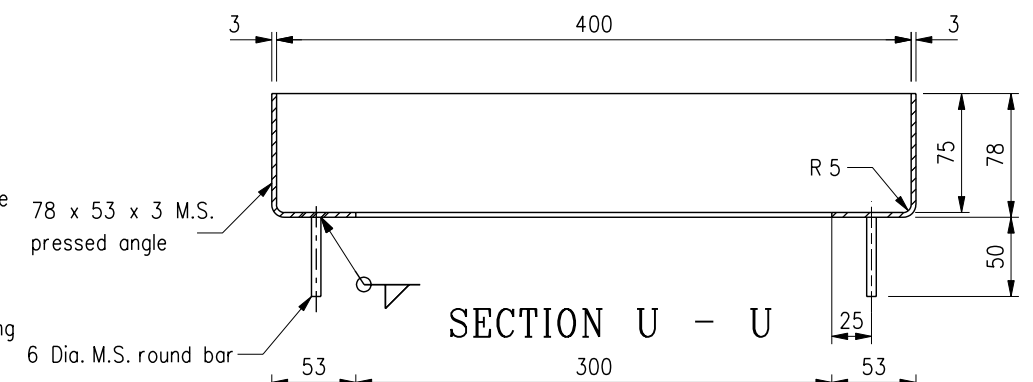
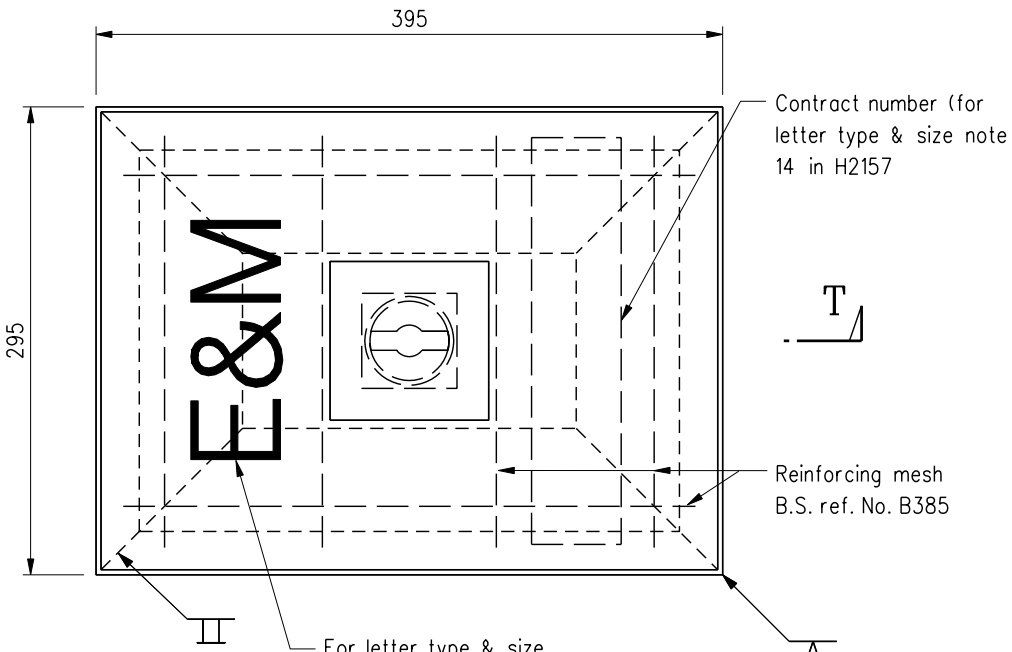


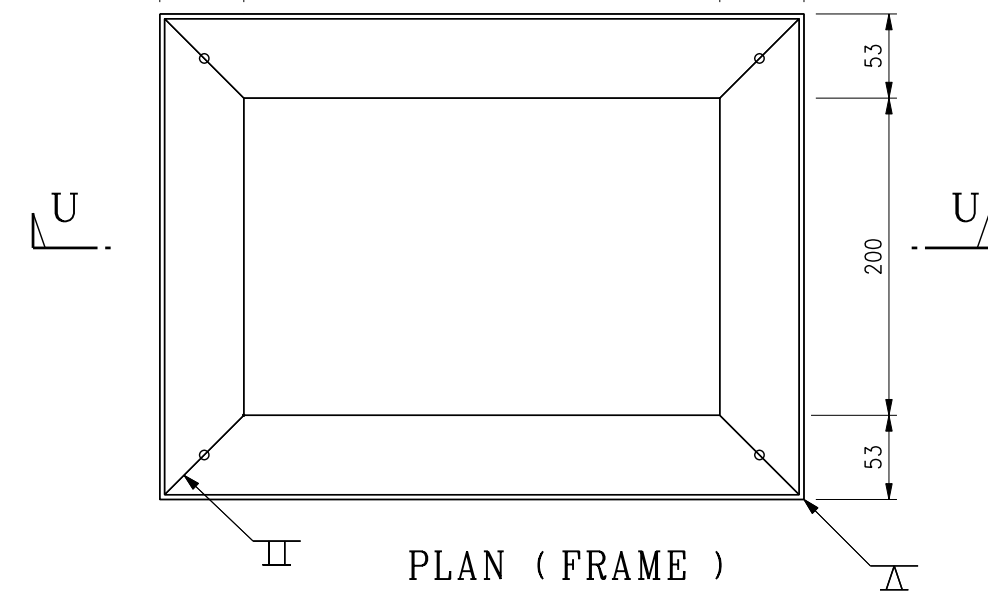
SECTION T - T



SECTION U - U



PLAN (COVER)



PLAN (FRAME)

Note : See H2157 for general notes.

	Former Drg. No. H2036/12A with general revision		June 94
REF.	REVISION	SIGNATURE	DATE

ATC DRAW PIT - DETAILS OF COVER & FRAME FOR EARTH PIT

HIGHWAYS DEPARTMENT	
REFERENCE Drg. No. ATC/HK/61	DRAWING No. H 2166
SCALE 1:5	CAD