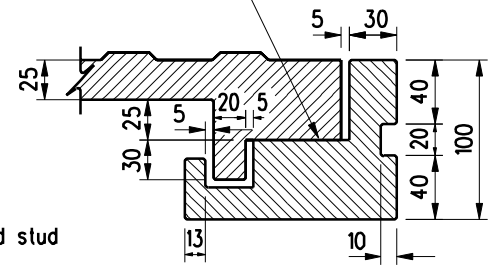
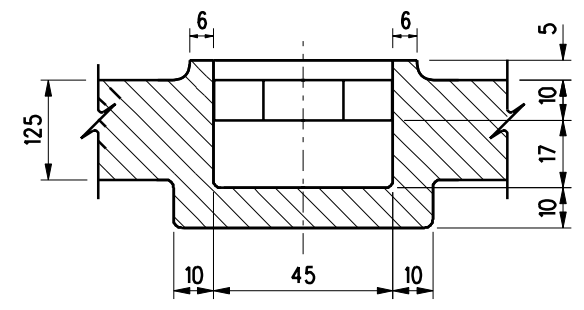


SECTION G - G

Bearing faces on cover and frame machined to same level. So that all four corners are in close contact

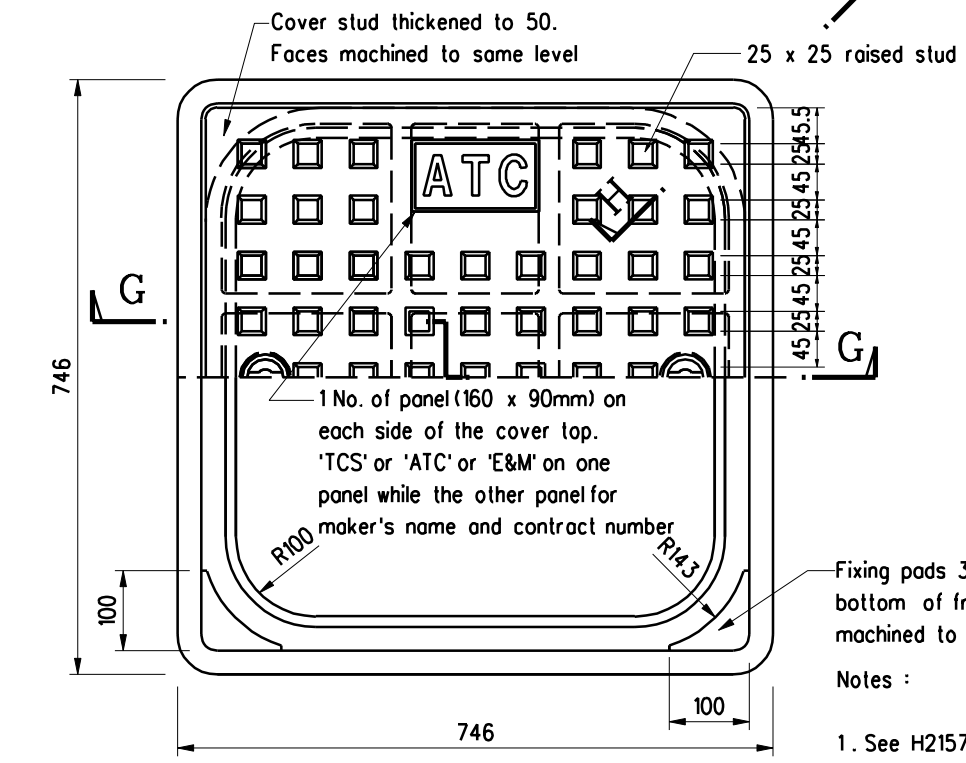


SECTION H - H



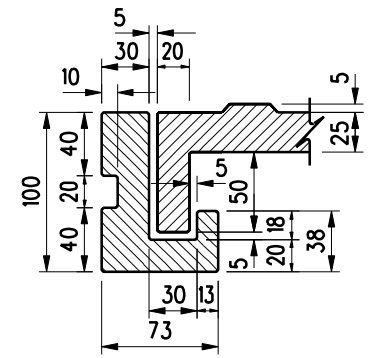
SECTION J - J

Scale 1:2



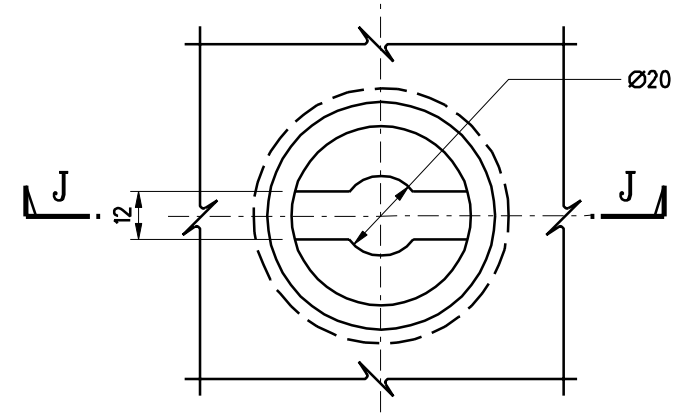
PLAN

Scale 1:5



DETAIL 'Y'

Scale 1:5



PLAN OF KEY HOLE

Scale 1:2

Notes :

1. See H2157 for general notes.
2. All corners are to be rounded to approx. 2mm radius

	Former Drg. No. H2036/7A with general revision		June 94
REF.	REVISION	SIGNATURE	DATE

# ATC DRAW PIT - HEAVY DUTY C.I. COVER & FRAME

## HIGHWAYS DEPARTMENT

REFERENCE	ATC/HK/60	DRAWING No.	CAD
SCALE	1:10 or as shown	H 2162	