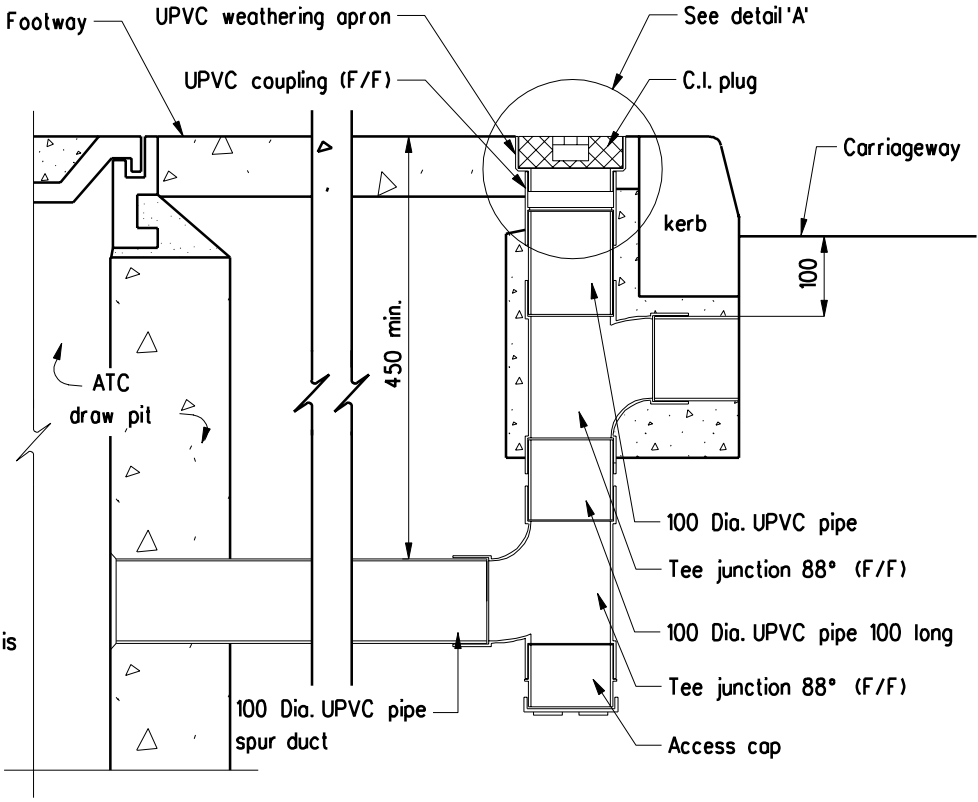
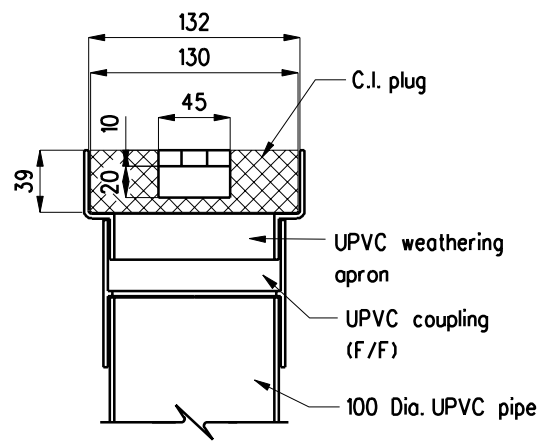


TYPICAL TRENCH SECTION

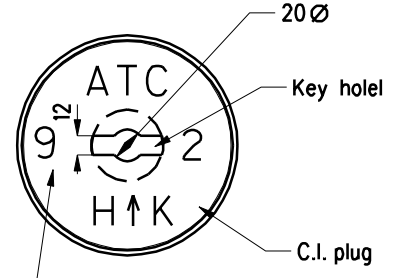


SECTION W - W

(For cable connecting detector loops on c/w)



SECTIONAL VIEW



PLAN DETAIL 'A'

Note :
1. See H2157 for general arrangement

	Former Drg. No. H2036/2 & H2036/3A with general revision		June 94
REF.	REVISION	SIGNATURE	DATE

HIGHWAYS DEPARTMENT			
REFERENCE	Drg. No. ATC/HK/60	DRAWING No.	CAD
SCALE	Diagrammatic	H 2158	

ATC DRAW PIT - DETAILS OF SPUR DUCT