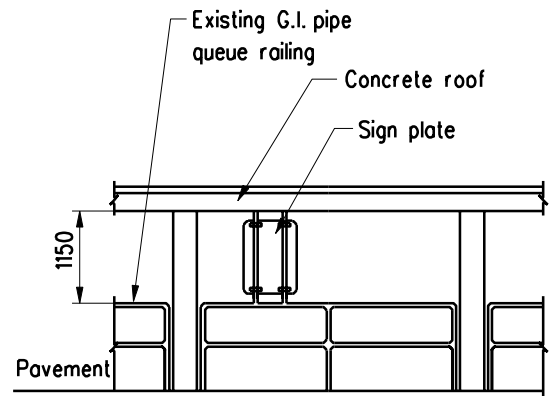
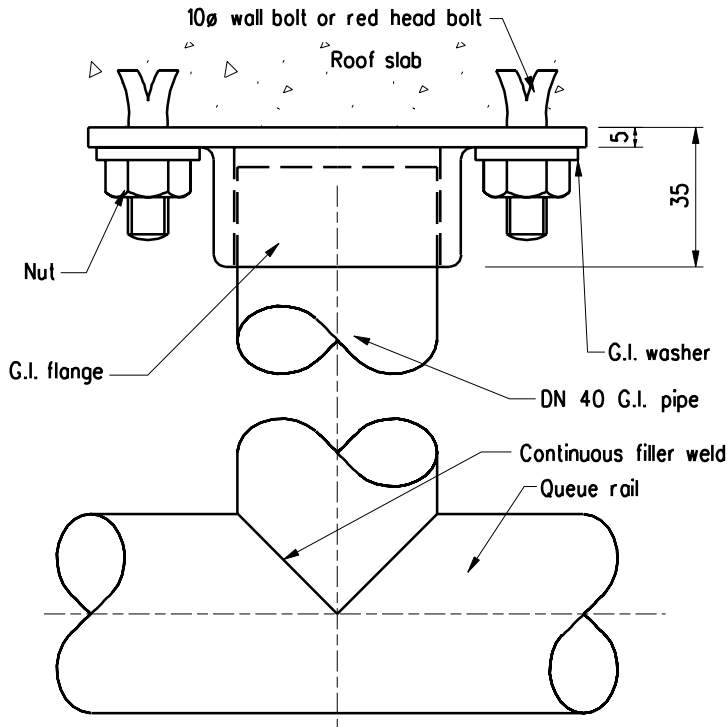


PLAN OF FLANGE

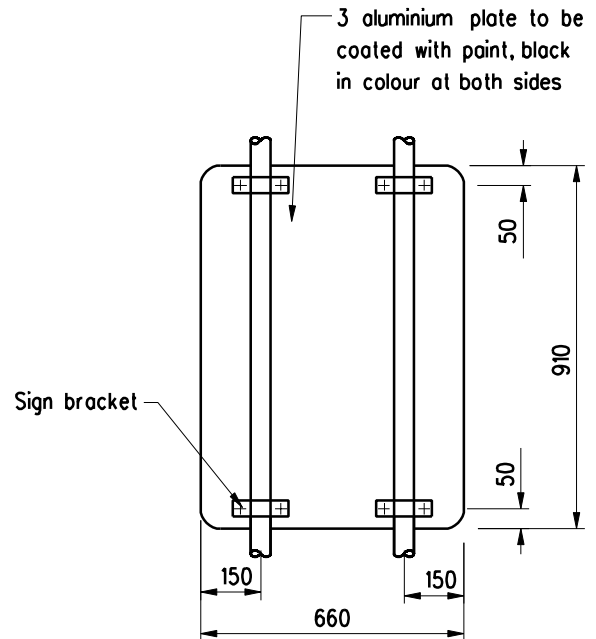


ELEVATION

Scale 1 : 100

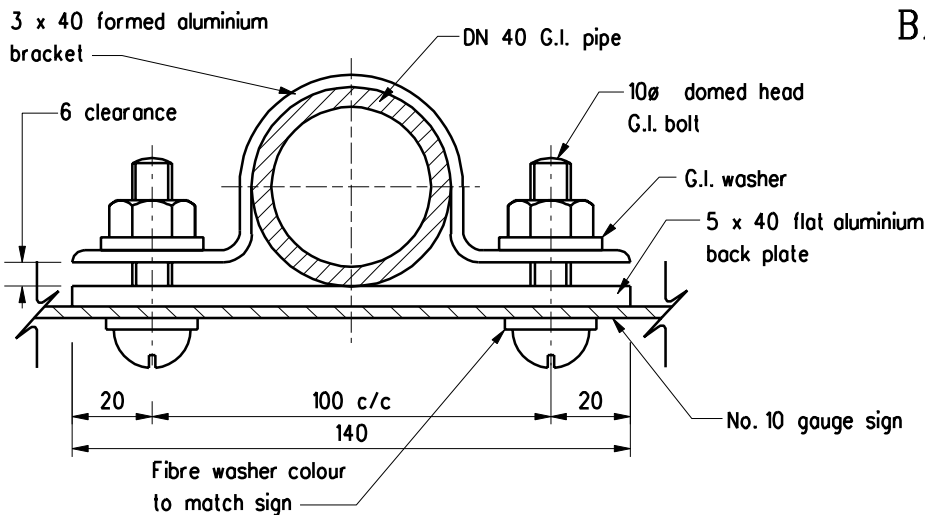


ROOF FIXING DETAILS



BACK ELEVATION OF SIGN PLATE

Scale 1 : 20



SIGN BRACKET DETAILS

Notes :

- Dimensions are in millimetres.

	Former Drg. No. H2029A		June 94
REF.	REVISION	SIGNATURE	DATE

DETAILS OF SIGN PLATE
FIXED AT HAND RAILING
OF BUS SHELTER

HIGHWAYS DEPARTMENT

REFERENCE
HH1779B

DRAWING No. CAD

SCALE
1 : 2

H 2144