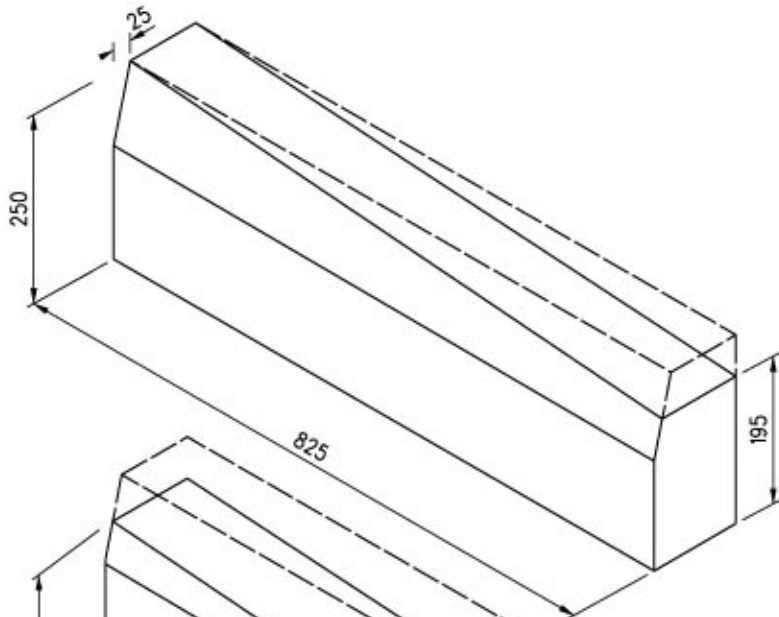
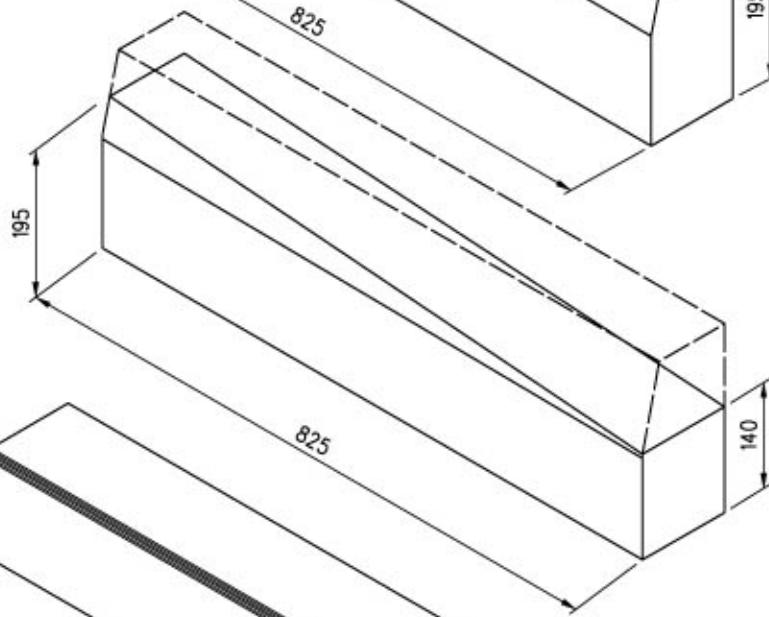


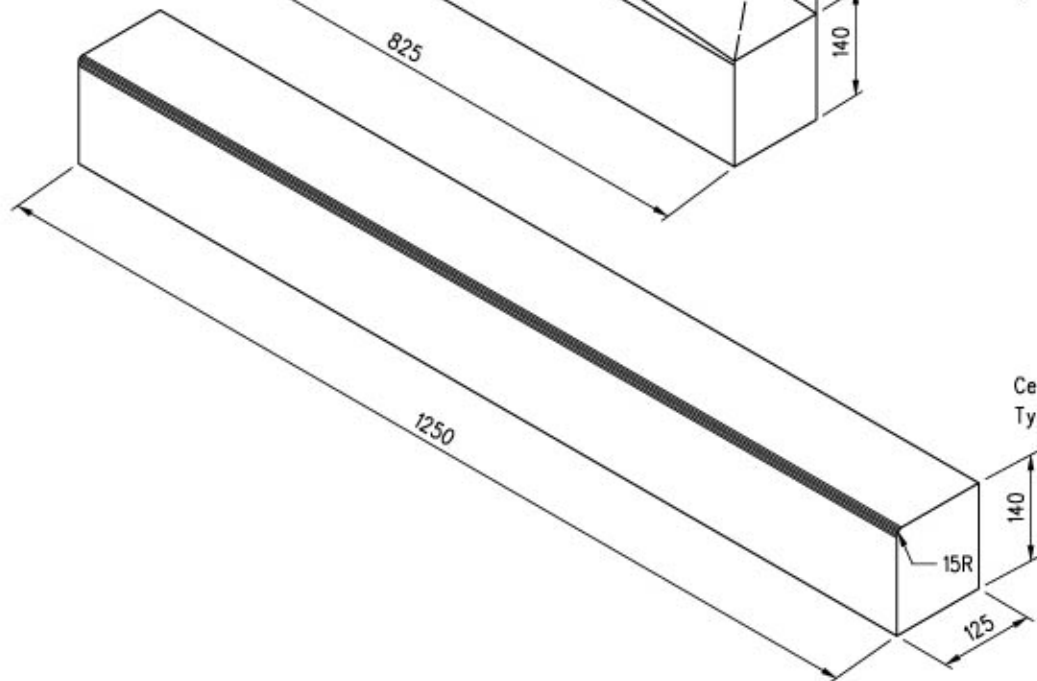
# DOUBLE DROP CROSSING KERBS



Left hand drop kerb  
Type K10  
(Right Hand - K14)



Left hand drop kerb  
Type K11  
(Right Hand - K13)



Centre drop kerb  
Type K12



**PRECAST CONCRETE  
KERBS FOR PEDESTRIAN  
CROSSINGS**

REF.	REVISION	SIGNATURE	DATE
REFERENCE		DRAWING No.	
		H 1134	
SCALE		CAD	
1 : 10			

**HIGHWAYS DEPARTMENT**