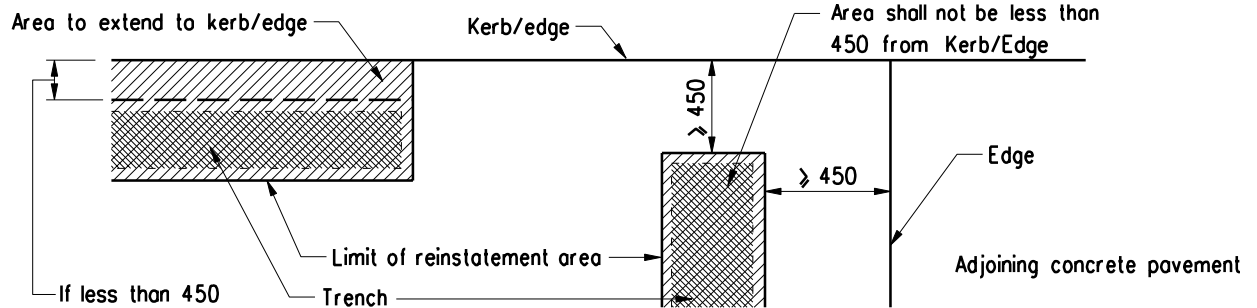


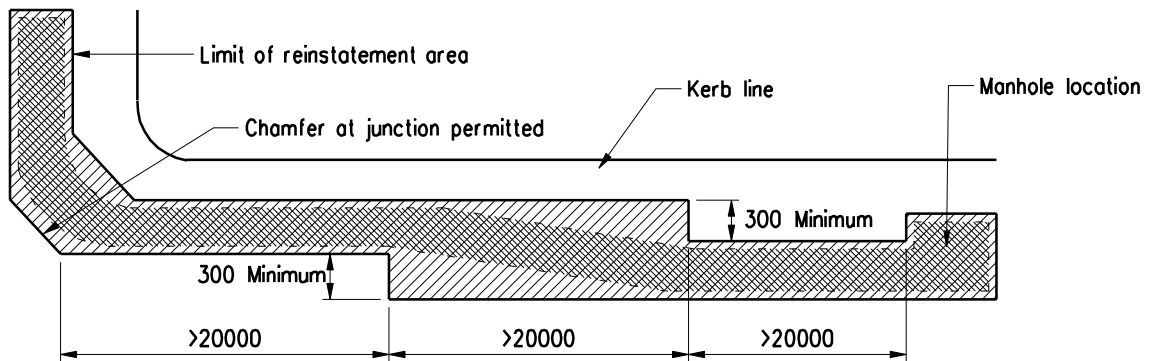
Rules to determine the limit of reinstatement in bituminous carriageway, footway and cycleway

A. Carriageway constructed more than 5 years ago, Carriageway re-surfaced more than 1 year ago and Footway or Cycleway constructed more than 1 year ago

1. The reinstatement area shall be of sufficient width to allow the use of proper compacting equipment.
2. The reinstatement area shall either
 - a) abut an edge (the kerb line, the building line or an adjoining concrete pavement) of the bituminous pavement; or
 - b) be at a minimum distance (measured from any part of reinstatement area at right angle to the edge) of 450 millimetres from an edge.

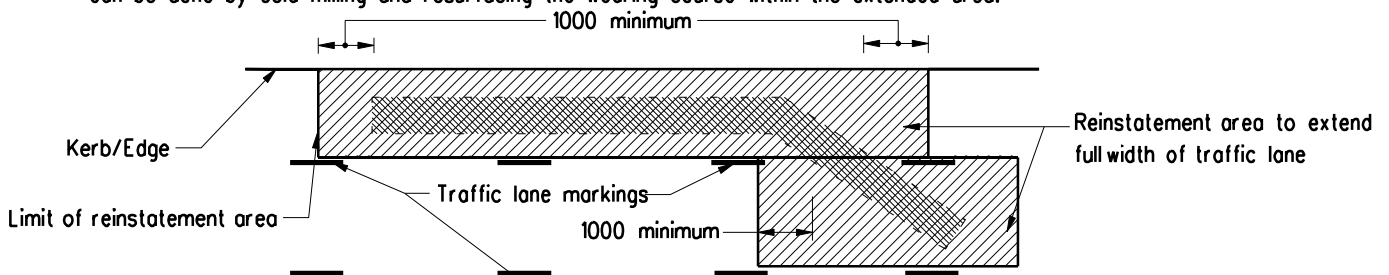


3. The reinstatement area shall be rectangular in plan with the sides either parallel or perpendicular to the nearest edge of the bituminous pavement. Stepped or L-shaped reinstatement area is permitted only if
 - a) the reinstatement area runs along the length of the carriageway, footway or cycleway, in such cases
 - the length of each step along the length of the carriageway, footway or cycleway is not less than 20 metres except at location of manholes or junction boxes;
 - the length of each step perpendicular to the length of the carriageway, footway or cycleway is not less than 300 millimetres; OR
 - b) the trench goes round a road junction, in such cases a chamfer at the corner is permitted.



B. Carriageway constructed within the last 5 years, Carriageway re-surfaced within the last 1 year and Footway or Cycleway constructed within the last 1 year

1. In addition to the Rules A1, A2 and A3 mentioned above, the reinstatement area shall extend to the full width of the traffic lane(s) in which the trench is situated. Any extension of the reinstatement area beyond the minimum limit can be done by cold milling and resurfacing the wearing course within the extended area.



Dimensions in millimetres.

	Former Drg. No. H1018/8 with general revision		June 94
REF.	REVISION	SIGNATURE	DATE

**PERMANENT REINSTATEMENT
OF PAVEMENT –
BITUMINOUS PAVEMENT
(SHEET 2 OF 2)**

HIGHWAYS DEPARTMENT	
REFERENCE	DRAWING No. CAD
SCALE	H 1130
N.T.S.	