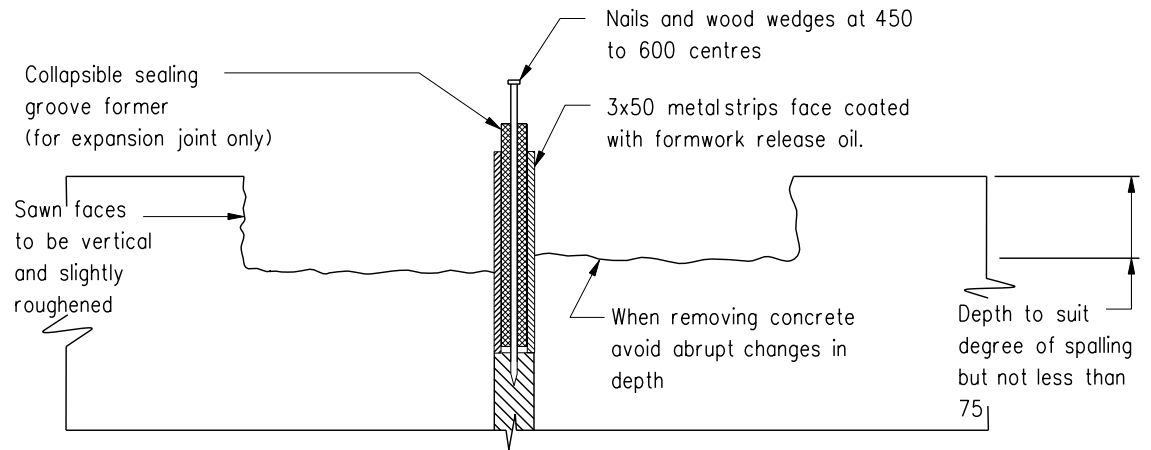
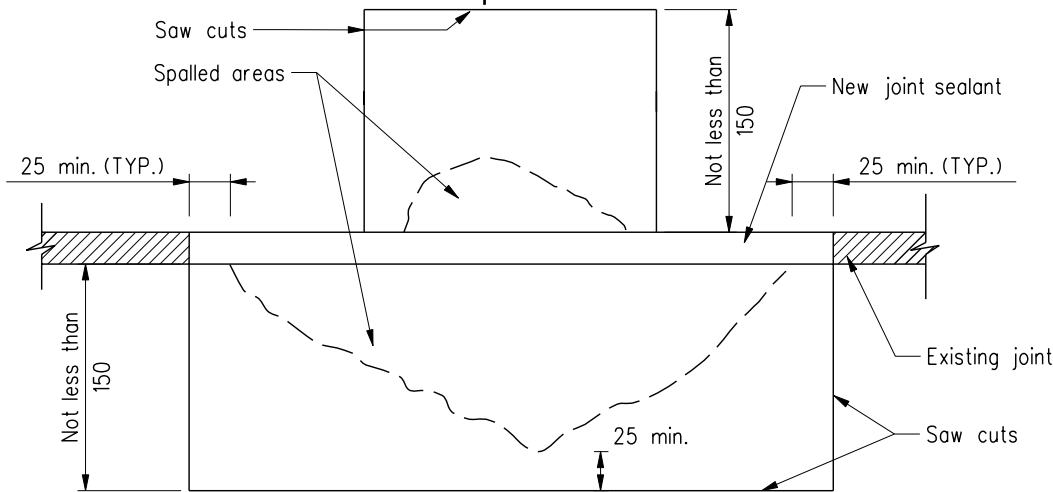


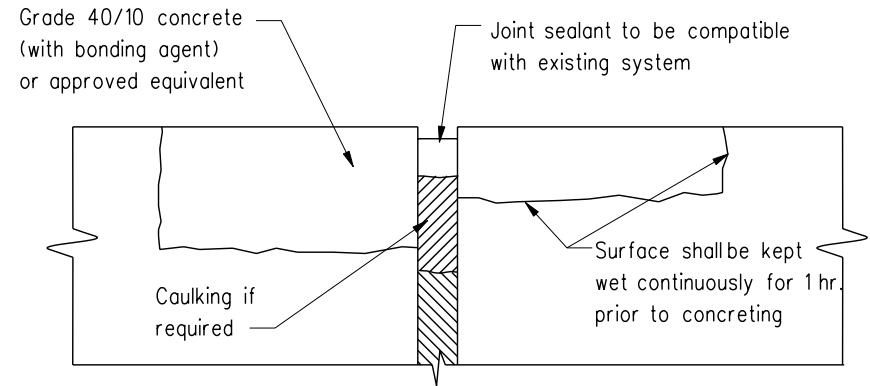
SEC. A - A STAGE I



SEC. A - A STAGE II



SHAPE OF REPAIR IN PLAN



SEC. A - A STAGE III

Note: All dimensions are in millimetres

	Former Drg. No. H1008/2 with general revision		June 94
REF.	REVISION	SIGNATURE	DATE

TRANSVERSE JOINT REPAIR USING CONCRETE

HIGHWAYS DEPARTMENT

REFERENCE	DRAWING No.	CAD
SCALE	H 1121	
Diagrammatic		