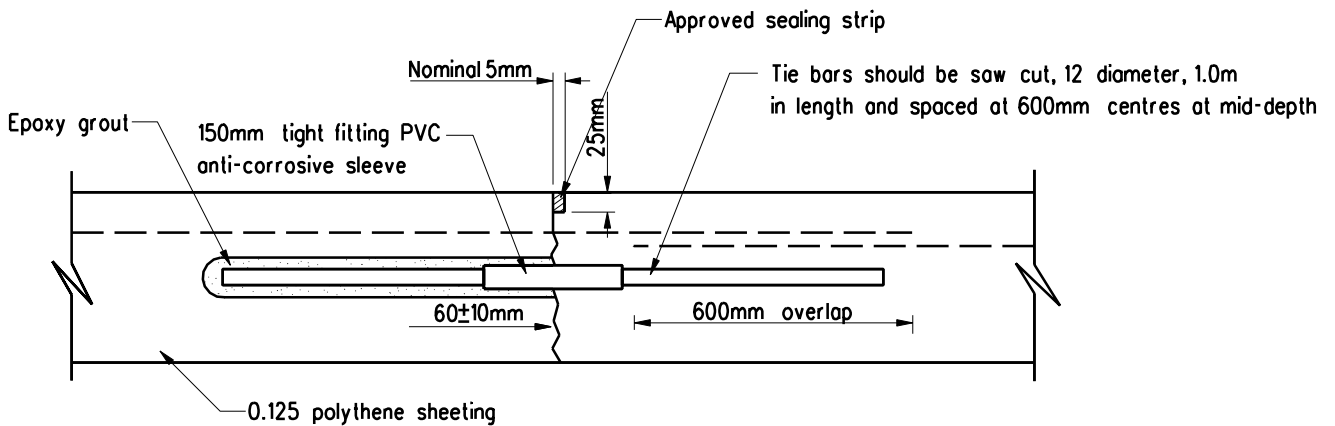
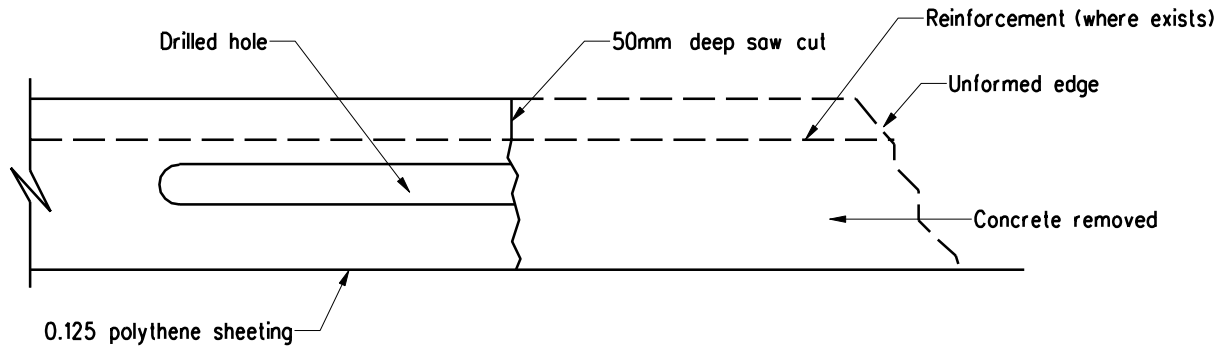


OPTION 1 – FORMED JOINT WITH CAST-IN TIE-BAR



OPTION 2 – BREAKING BACK FROM UNFORMED EDGE

	Former Drg. No. H1003/4 with general revision		June 94
REF.	REVISION	SIGNATURE	DATE

TYPICAL DETAILS OF
CONSTRUCTION JOINT IN
CONCRETE CARRIAGEWAY

HIGHWAYS DEPARTMENT

REFERENCE

DRAWING No.

CAD

SCALE

Diagrammatic

H 1108