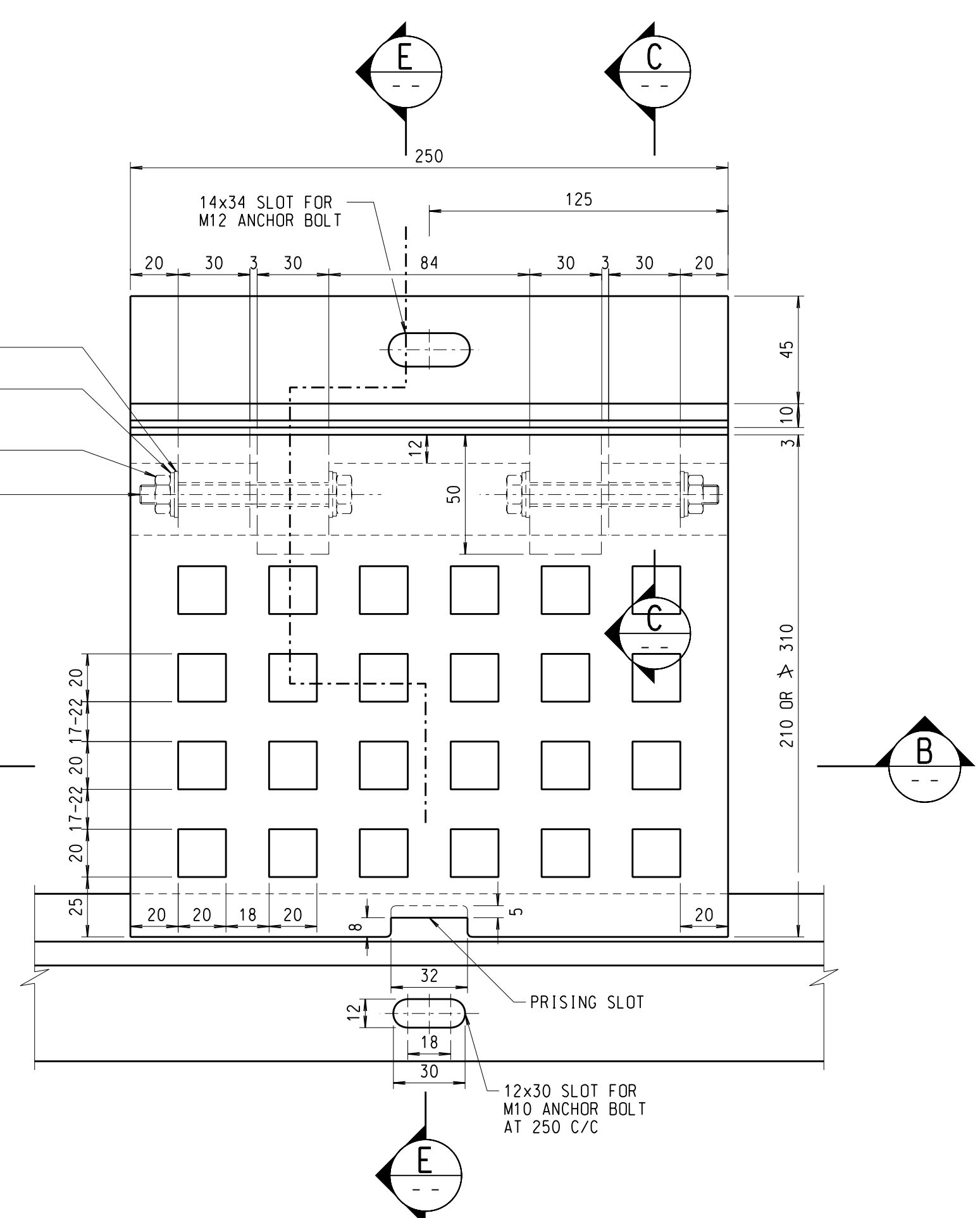
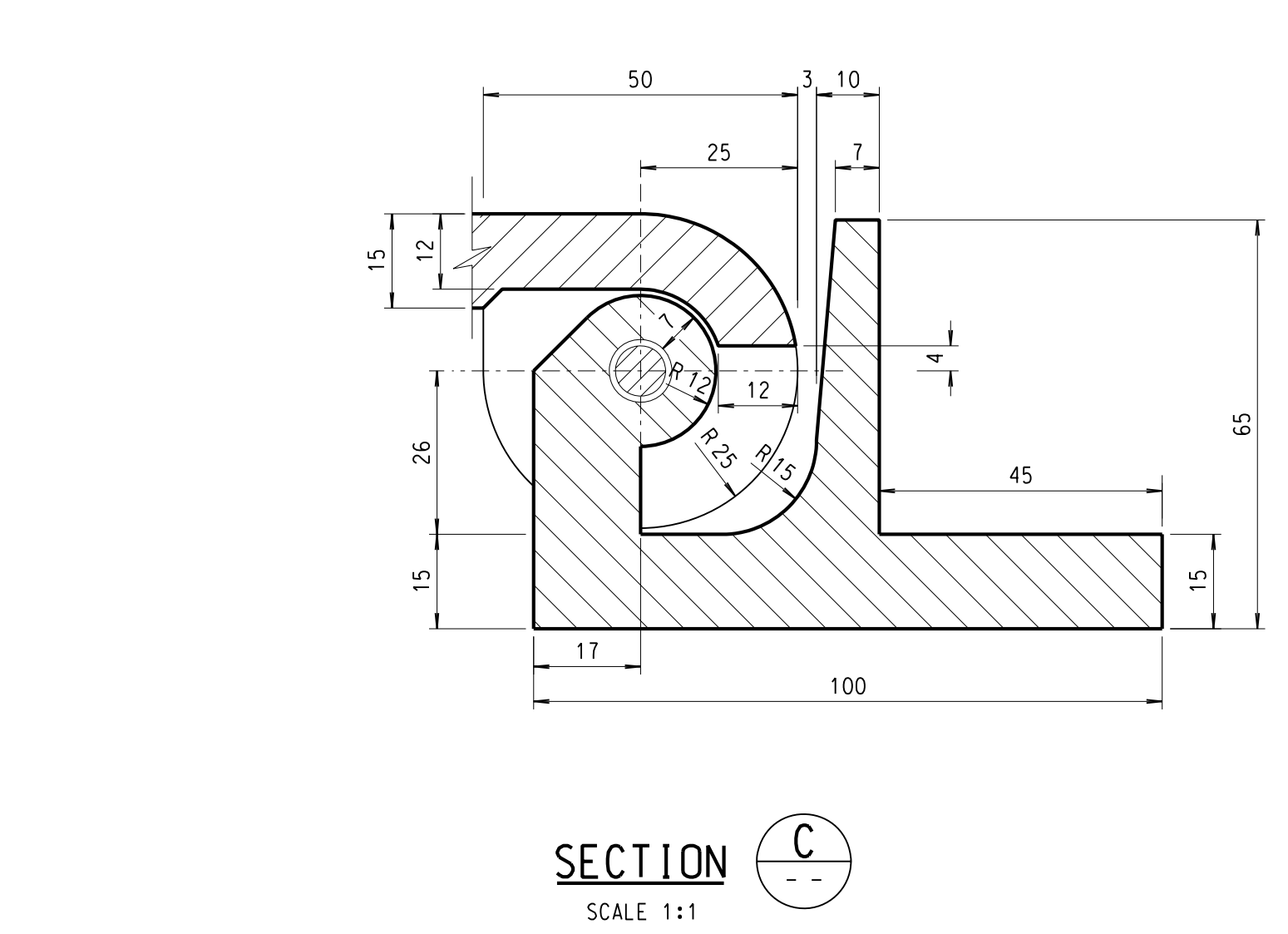


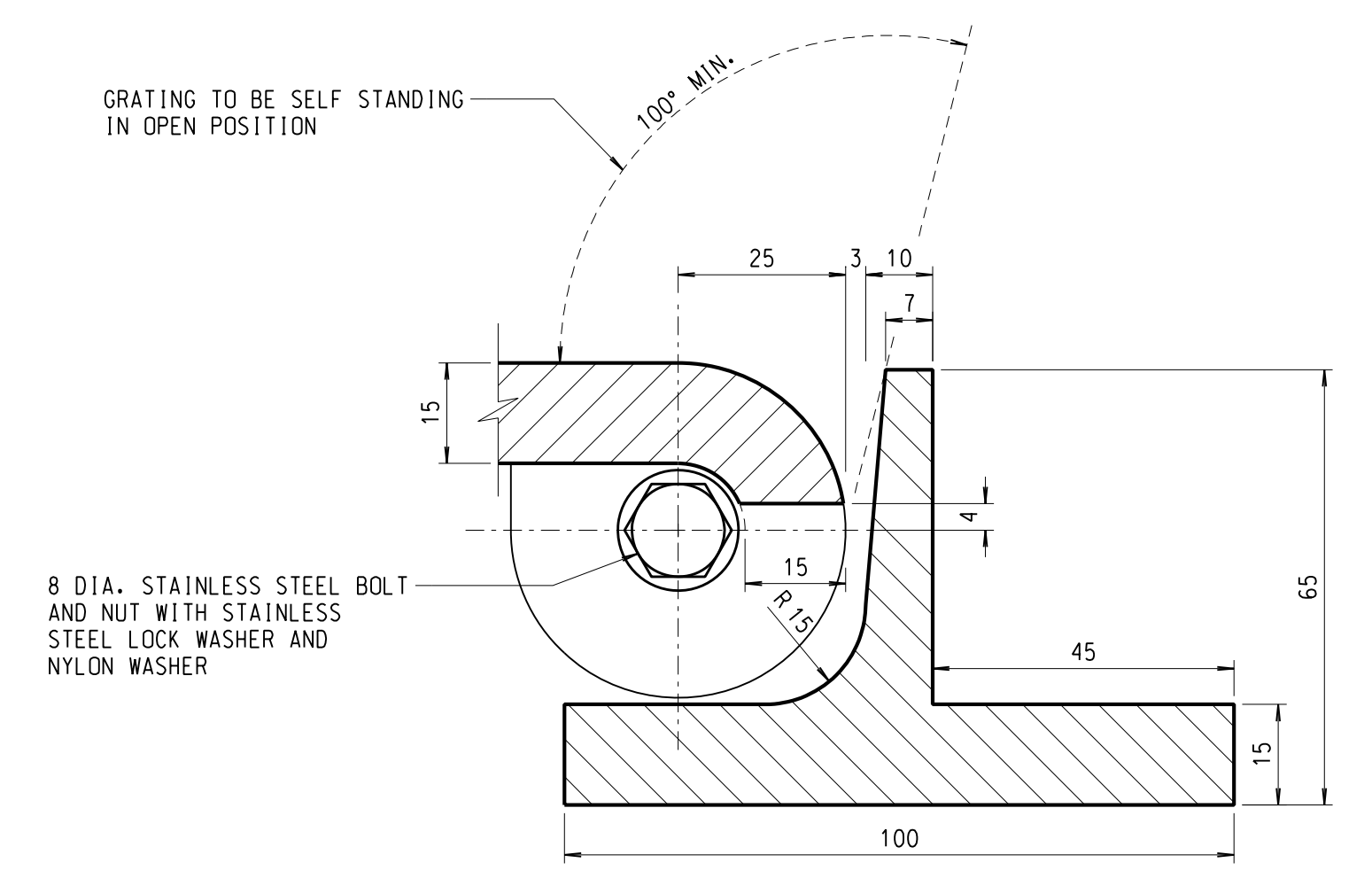
PLAN OF GRATING
SCALE 1:2
(ALL HOLES SHALL BE 20 x 20 IN SIZE AND ALL RIBS SHALL BE OF EQUAL WIDTH. EXACT NO. OF HOLES AND RIBS TO BE ADJUSTED TO SUIT CHANNEL WIDTH)



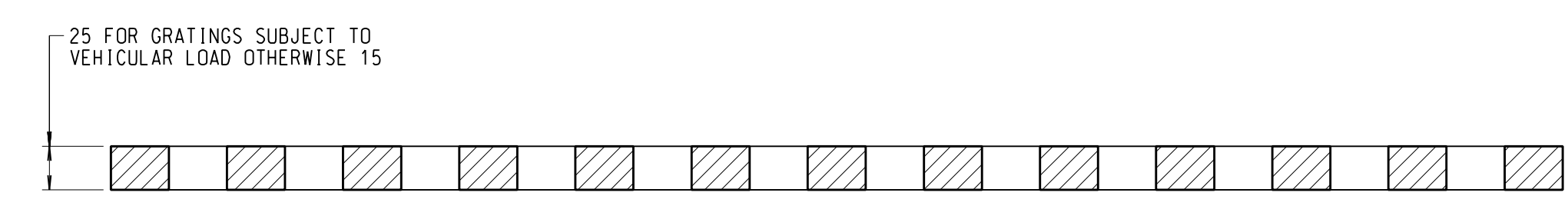
PLAN OF GRATING - HALF COVER
SCALE 1:2
(ALL HOLES SHALL BE 20 x 20 IN SIZE AND ALL RIBS SHALL BE OF EQUAL WIDTH. EXACT NO. OF HOLES AND RIBS TO BE ADJUSTED TO SUIT CHANNEL WIDTH)



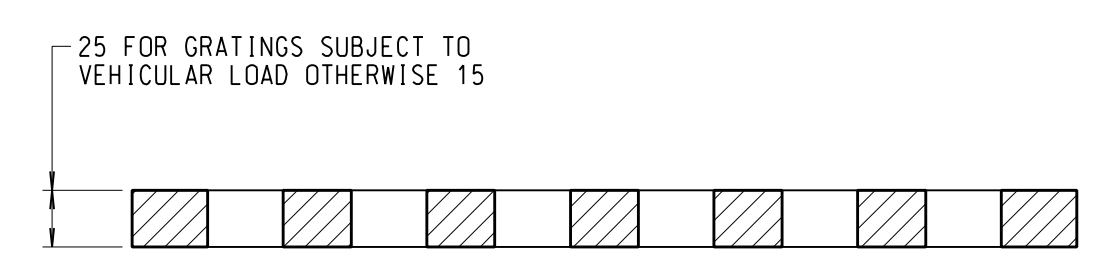
SECTION C
SCALE 1:1



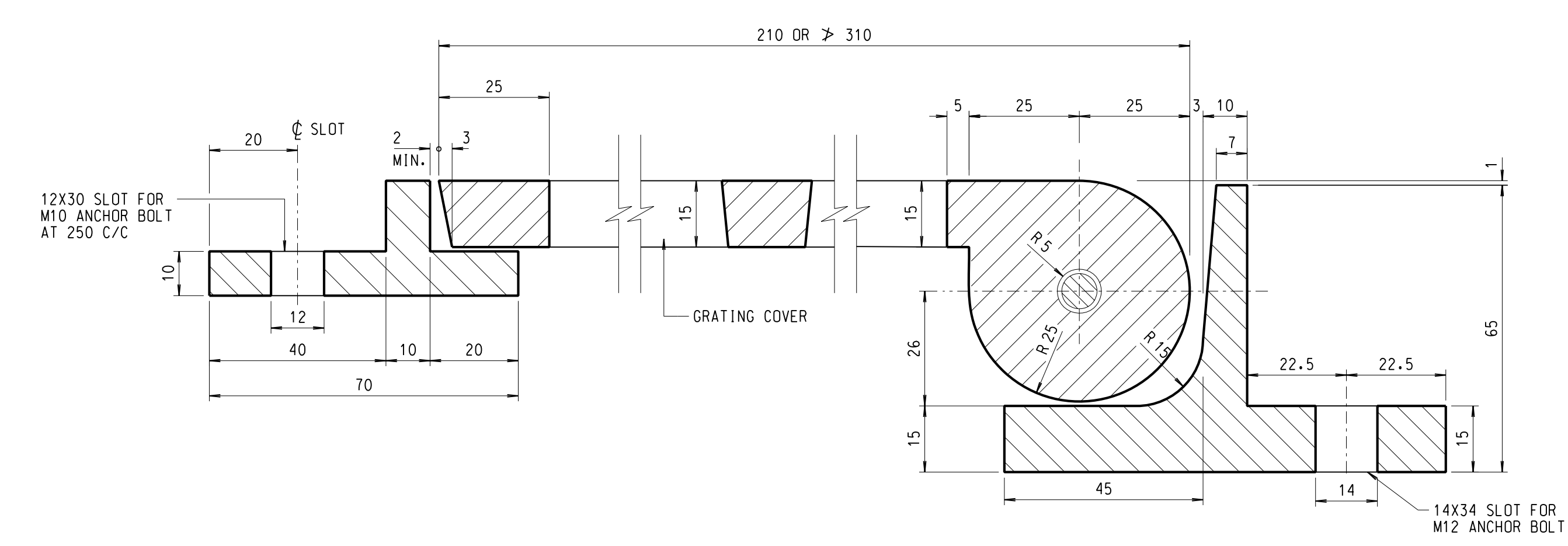
SECTION D
SCALE 1:1



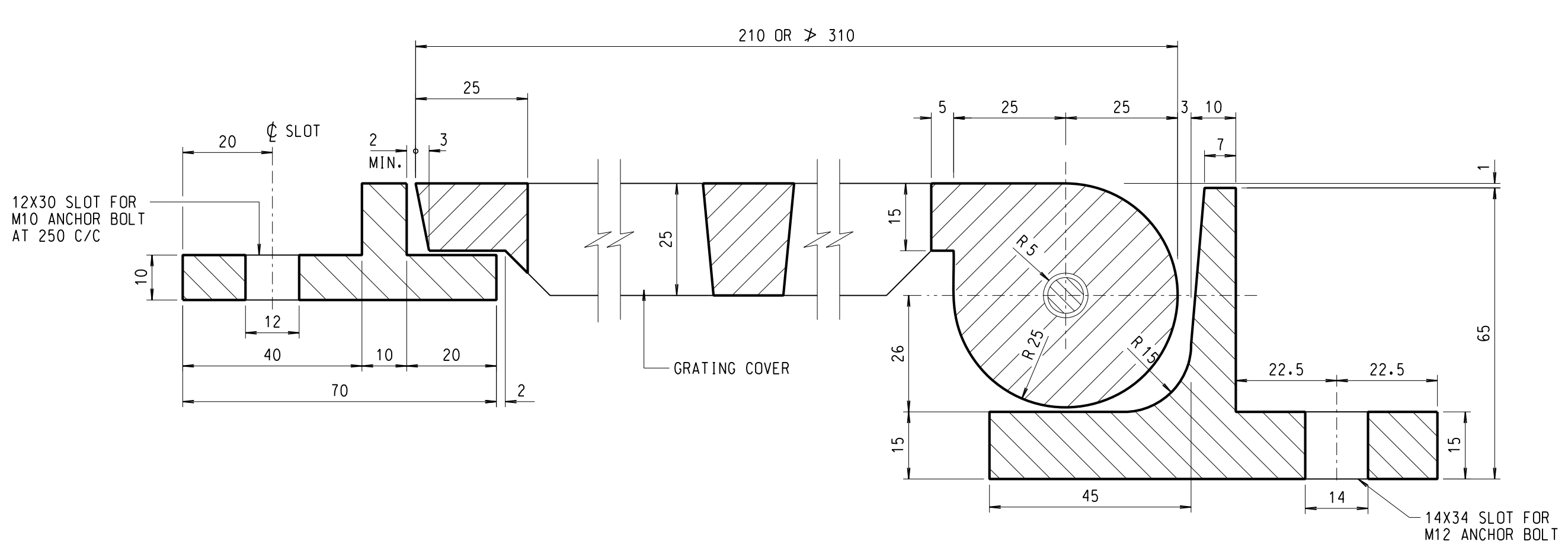
SECTION A
SCALE 1:2



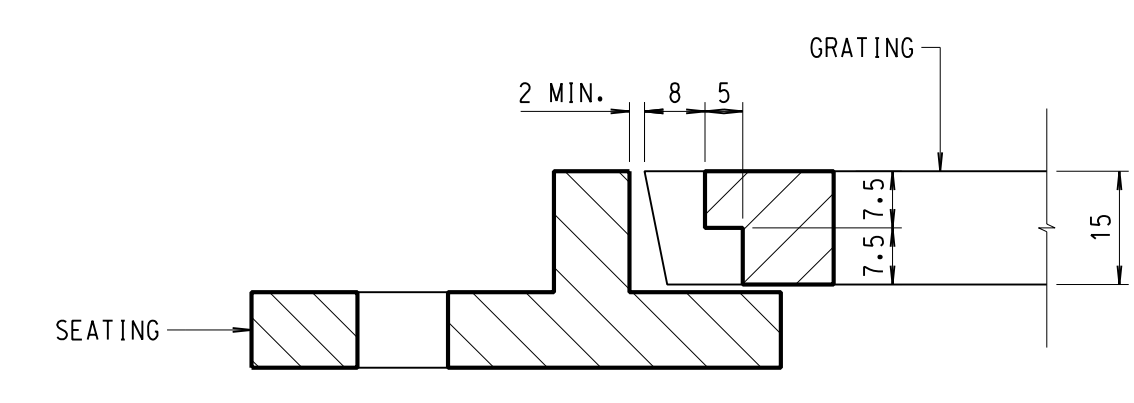
SECTION B
SCALE 1:2



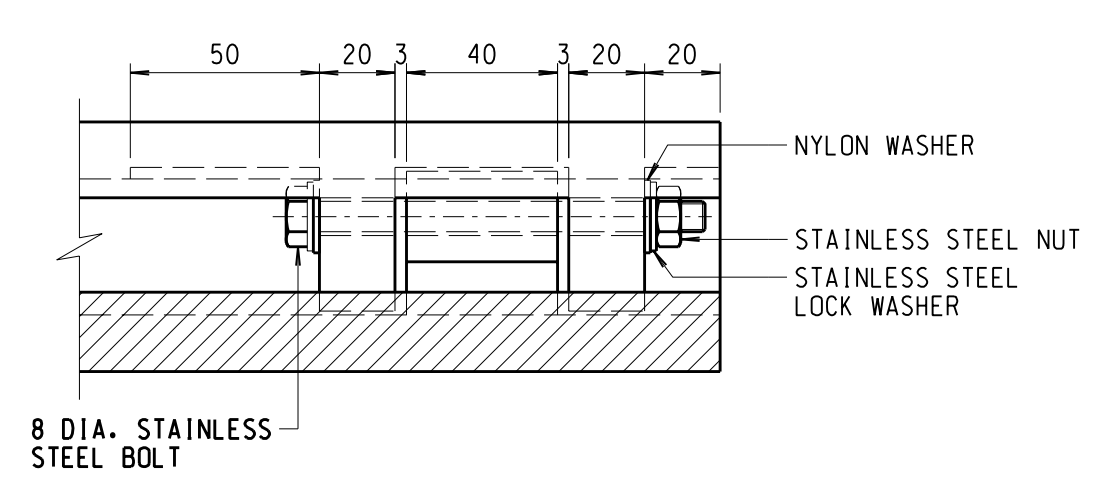
SECTION E
SCALE 1:1
(FOR GRATINGS NOT PRONE TO VEHICULAR LOAD)



SECTION E
SCALE 1:1
(FOR GRATINGS PRONE TO VEHICULAR LOAD)



DETAIL OF PRISING SLOT
SCALE 1:1



SECTION F
SCALE 1:2

- NOTES:
- ALL DIMENSIONS ARE IN MILLIMETRES UNLESS OTHERWISE SPECIFIED.
 - ALL GRATING CORNERS SHALL BE ROUNDED TO APPROXIMATELY 2.
 - GRATINGS AND FRAMES SHALL BE CAST IRON CONFORMING TO GRADE 150 OF B.S.1452 EXCEPT FOR GRATINGS AND FRAMES SUBJECT TO VEHICULAR LOAD WHICH SHALL BE GRADE 300 TO B.S.1452.
 - GRATINGS AND FRAMES ARE DESIGNED FOR USE WITH 150 TO 250 HALF-ROUND OR "U" CHANNELS.
 - ALL CAST IRON UNITS SHALL BE COATED WITH A BITUMEN COATING.
 - GAPS BETWEEN GRATING UNITS SHALL NOT EXCEED 3. THE OVERALL LENGTH OF CHANNEL GRATING SHALL MAKE DUE ALLOWANCE FOR GAPS BETWEEN UNITS.
 - GRATINGS WITH SQUARE HOLES PATTERN ARE SUITABLE FOR USE ON CYCLE TRACKS.

ABBREVIATIONS:

C/C	CENTRE TO CENTRE
DIA.	DIAMETER
EQ.	EQUAL
MIN.	MINIMUM
NO.	NUMBER
R	RADIUS
≥	NOT EXCEEDING

no.	date	description	initial
REVISION			
designed	K. S. LAM	SIGNED	10/08
drawn	C. C. TANG	SIGNED	07/09
senior technical officer	Y. W. CHIN	SIGNED	09/09
project engineer	K. S. LAM	SIGNED	09/09
senior engineer	P. T. LEUNG	SIGNED	09/09

approved
SIGNED
P. K. LEE
Chief Highway Engineer
23/09/2009
date

contract no.
file no.
project no.
contract

drawing title
HINGED CHANNEL GRATING FOR CYCLE TRACKS ON STRUCTURES

drawing no. **SSD 166** scale **AS SHOWN**

office **BRIDGES AND STRUCTURES DIVISION** 結構橋樑部
HONG KONG DEPARTMENT OF HIGHWAYS 香港路政署

