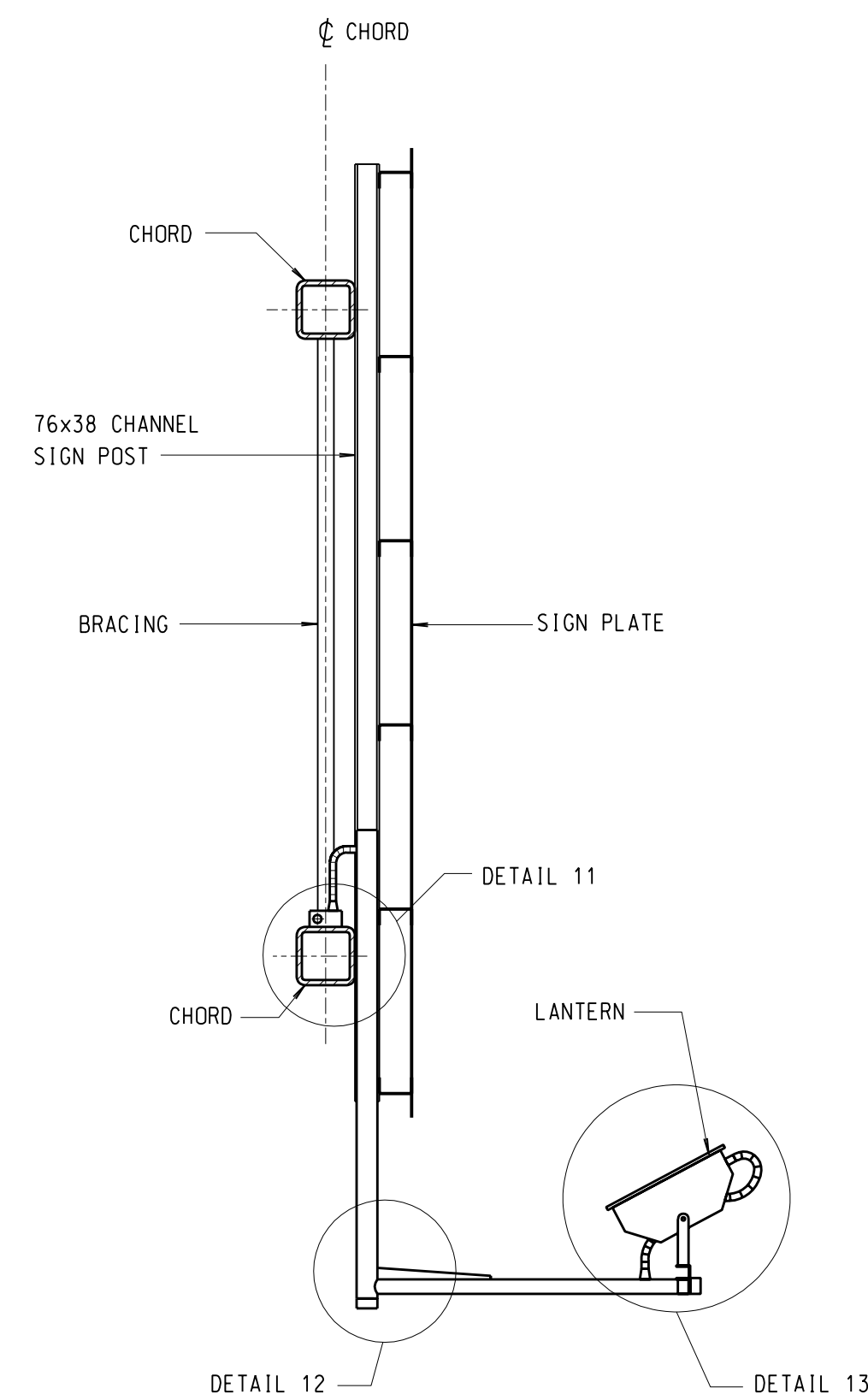
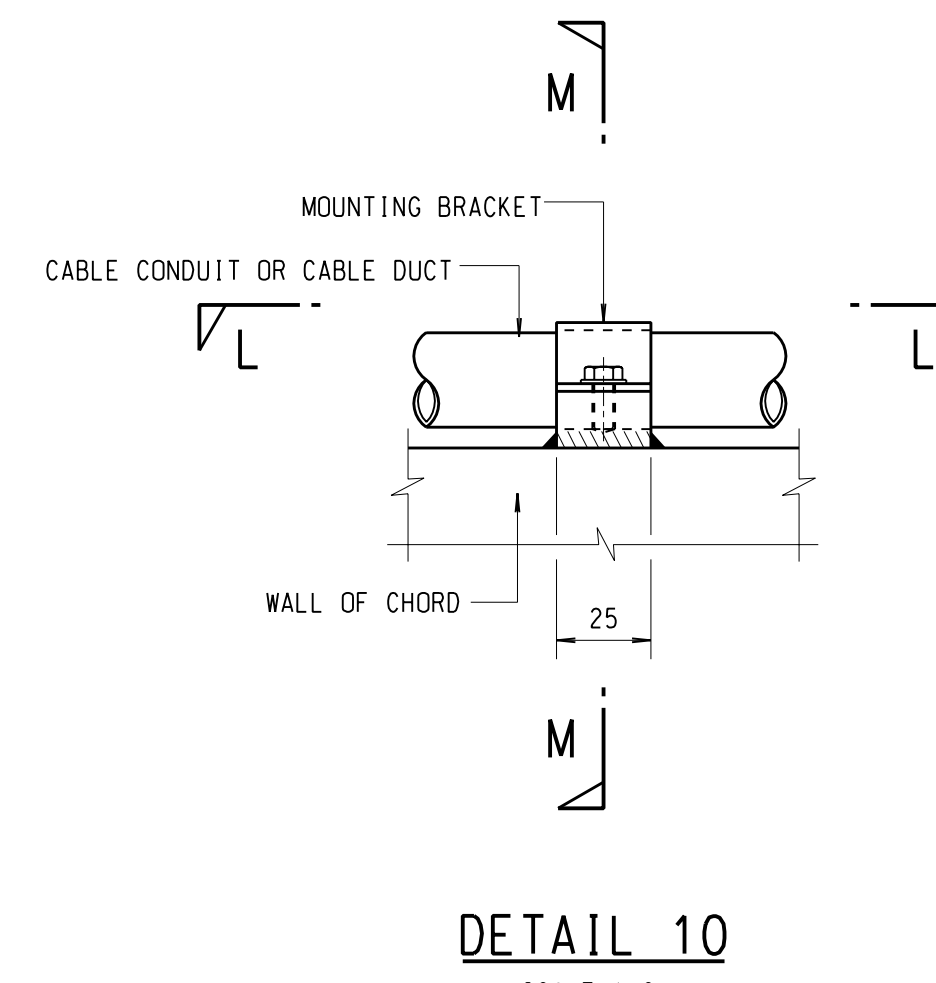


REAR ELEVATION
SIGN POST NOT SHOWN FOR CLARITY
SCALE 1:50

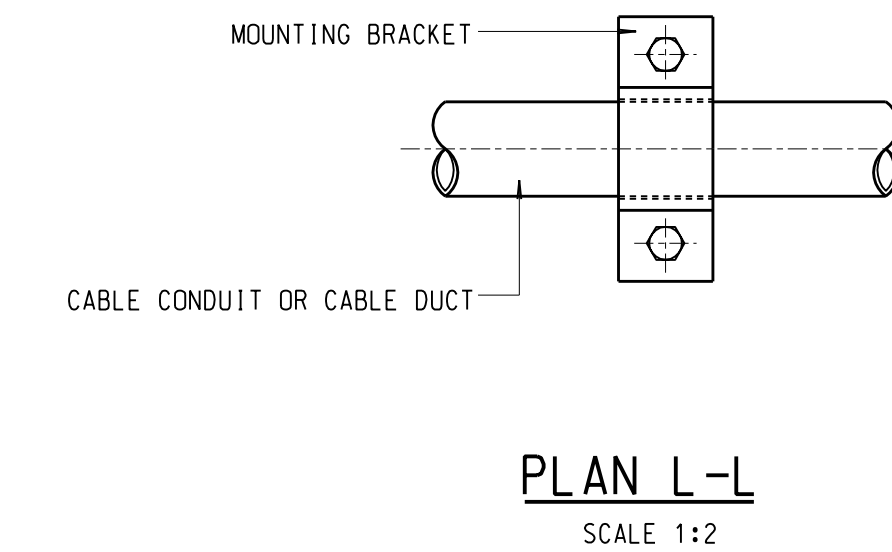
- NOTES :
1. THE LOCATION OF STAINLESS STEEL ENCLOSURE TO BE AGREED WITH LIGHTING DIVISION AND HIS MAINTENANCE AGENT
 2. THE LOCATION OF LANTERNS SHOWN ON THIS DRAWING IS INDICATIVE ONLY. THE NUMBER OF FITTINGS AND ARRANGEMENT SHALL BE DESIGNED BY CONTRACTOR AND SUBMITTED FOR ENGINEER'S APPROVAL



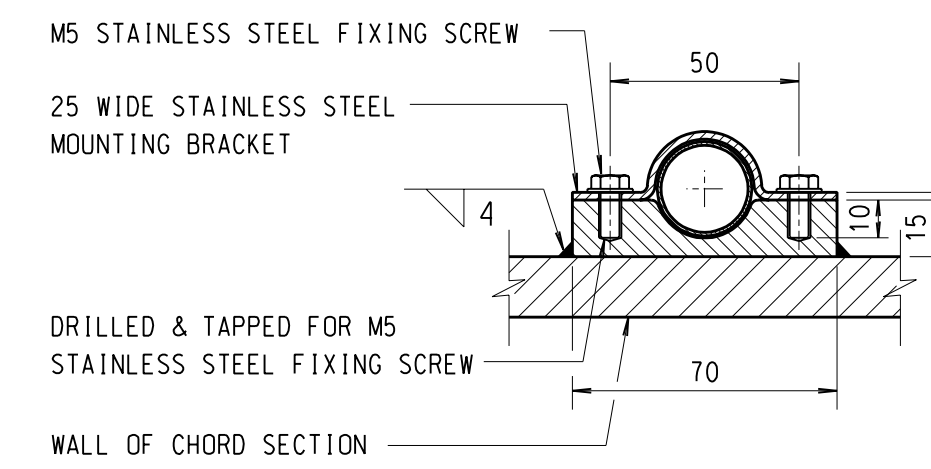
SECTION K-K
SCALE 1:20



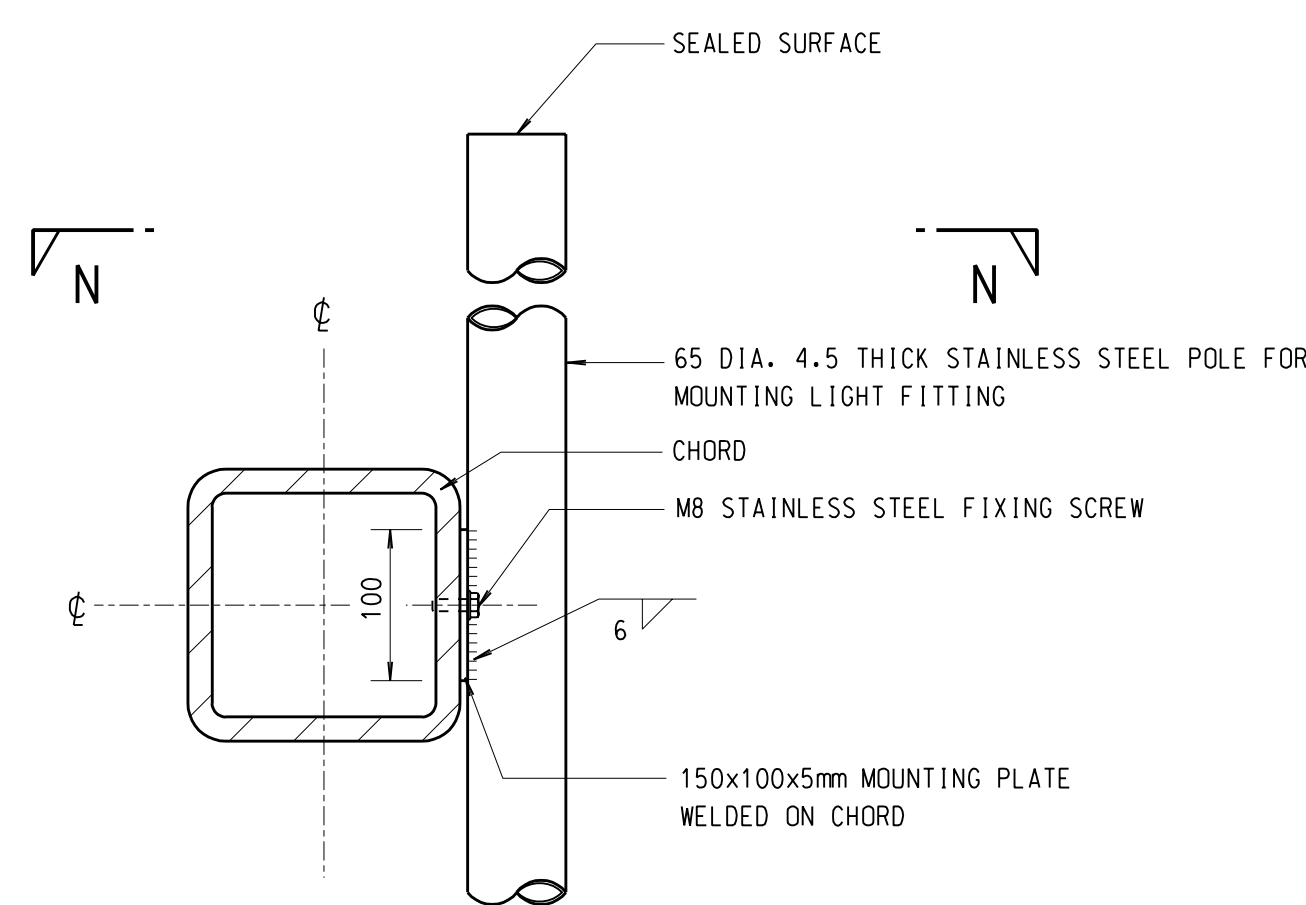
DETAIL 10
SCALE 1:2



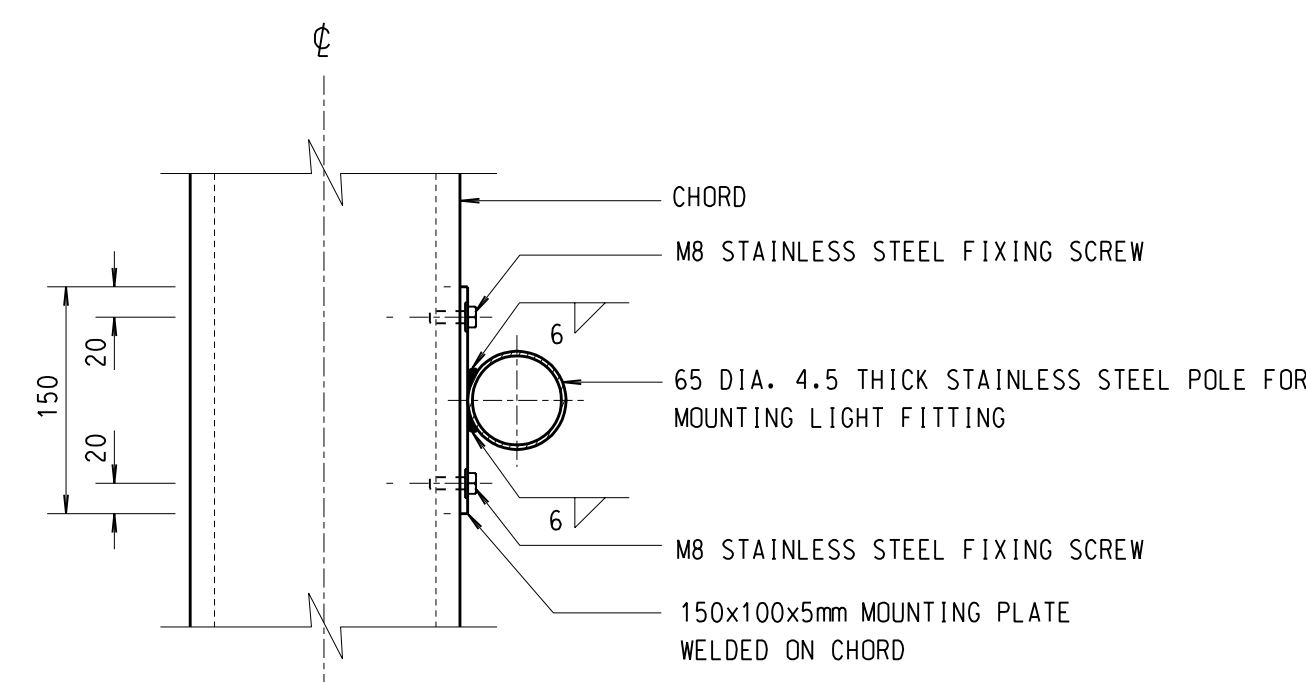
PLAN L-L
SCALE 1:2



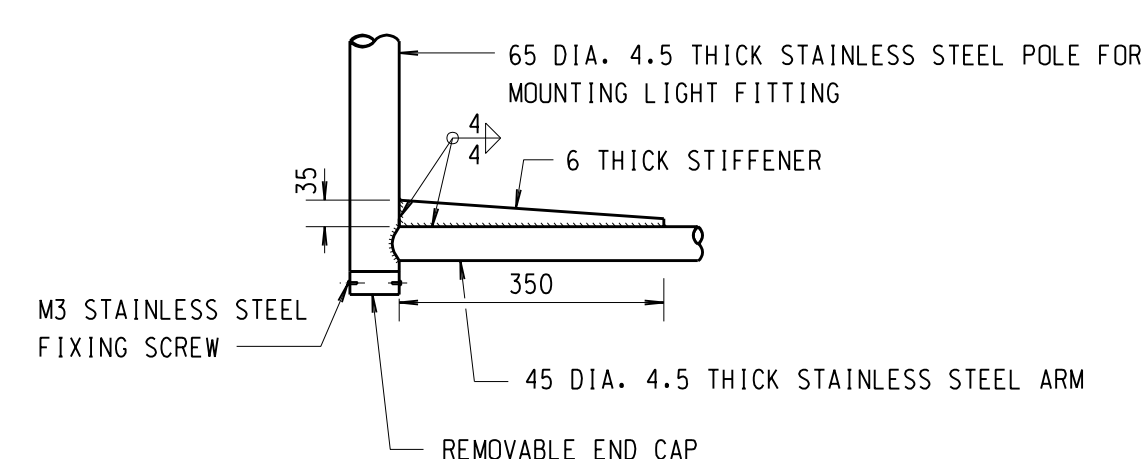
SECTION M-M
SCALE 1:2



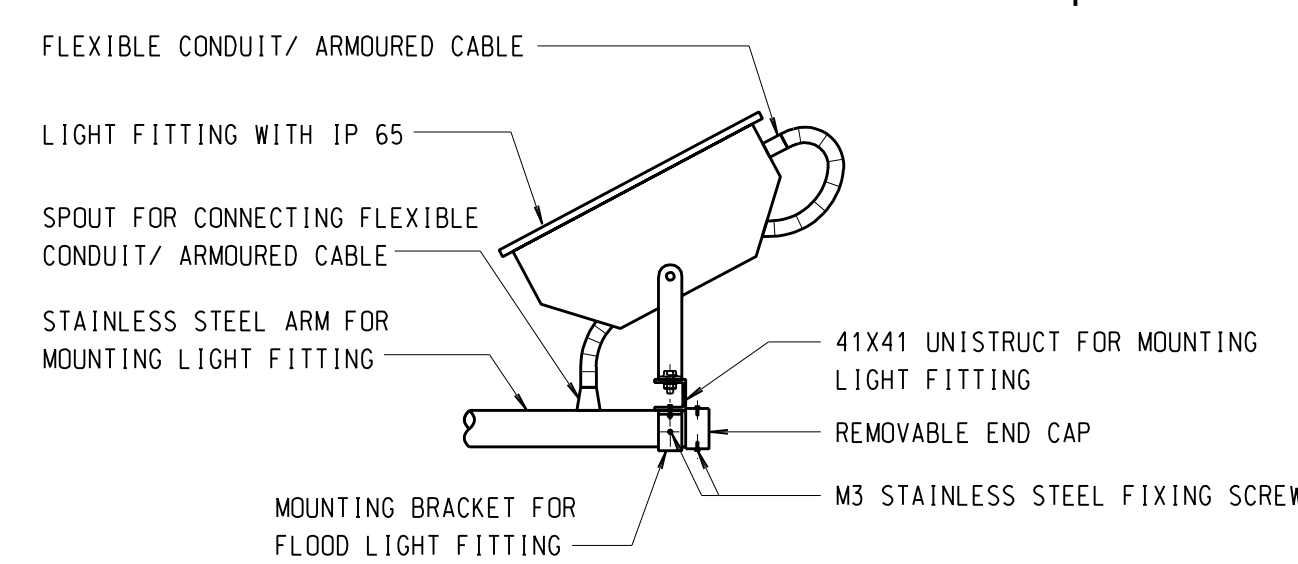
DETAIL 11
SCALE 1:5



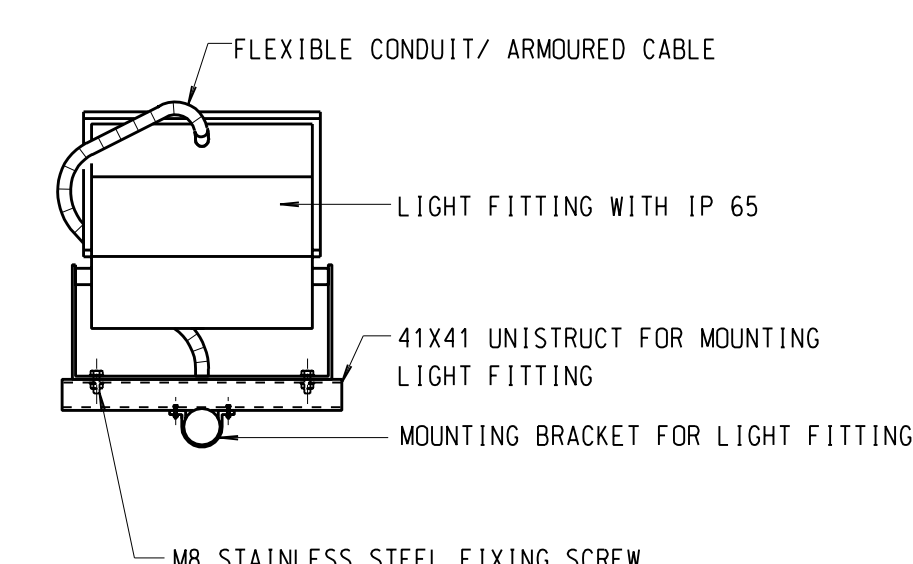
SECTION N-N
SCALE 1:5



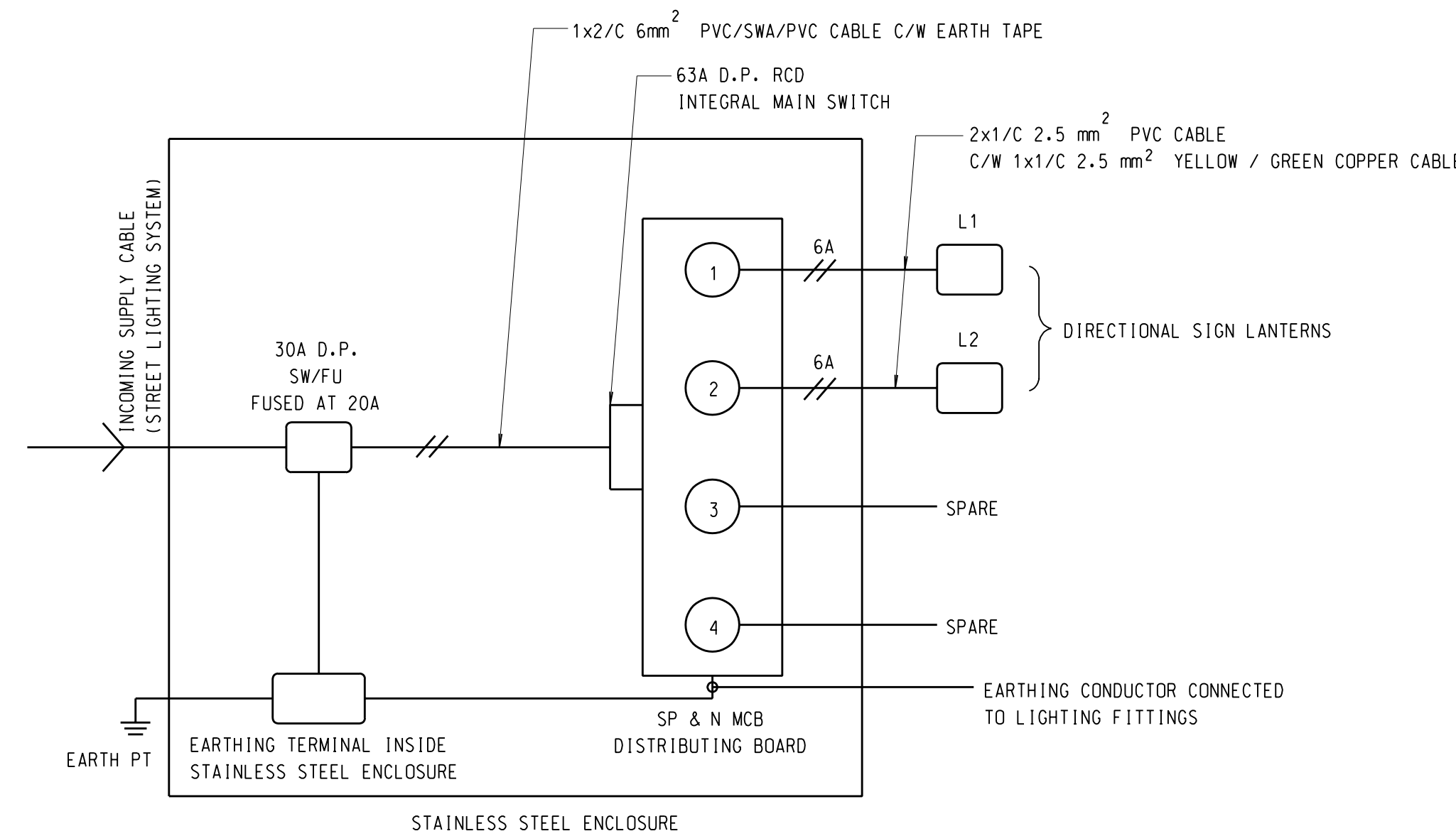
DETAIL 12
SCALE 1:10



DETAIL 13
SCALE 1:10



ELEVATION P-P
SCALE 1:10



SCHEMATIC WIRING DIAGRAM
FOR CANTILEVER DIRECTIONAL SIGN WITH TWO LANTERNS

- NOTES:
1. ALL DIMENSIONS ARE IN MILLIMETRES UNLESS OTHERWISE SPECIFIED.
 2. ALL WORK SHALL BE CARRIED OUT BY THE CONTRACTOR UNLESS OTHERWISE SPECIFIED.
 3. ALL LANTERNS, CONDUIT, WIRING AND ELECTRICAL FITTINGS SHALL BE SUPPLIED AND INSTALLED BY THE REGISTERED ELECTRICAL CONTRACTOR.
 4. DETAIL DIMENSIONS OF THE PROPOSED CANTILEVER DIRECTIONAL SIGN SHALL BE CHECKED. INFORMATION SHOWN IN THIS DRAWING IS FOR REFERENCE ONLY. DETAIL DESIGN SHALL BE ADVISED LATER. SUBSEQUENTLY, DETAILS OF MOUNTING METHOD AND DIMENSIONS FOR THE FLOOD LIGHT FITTINGS INSTALLATION SHALL BE DESIGNED BY THE CONTRACTOR AND SHALL BE SUBMITTED FOR ENGINEER'S APPROVAL.
 5. THE LIGHTING LEVEL OF CANTILEVER DIRECTIONAL SIGN SHOULD COMPLY WITH TRANSPORT PLANNING AND DESIGN MANUAL ISSUED BY TRANSPORT DEPARTMENT. FOR LAMPS, THE NUMBER OF FITTINGS AND ARRANGEMENT SHALL BE DESIGNED BY CONTRACTOR TO COMPLY WITH LIGHTING LEVEL REQUIREMENT SPECIFIED IN TRANSPORT PLANNING AND DESIGN MANUAL ISSUED BY TRANSPORT DEPARTMENT. ARRANGEMENT OF FITTING AND LUMINANCE CALCULATION SHALL BE SUBMITTED FOR ENGINEER'S APPROVAL.
 6. NUMBER OF WAYS, LIGHTING CIRCUITRY (AT THE ALTERNATE ARRANGEMENT), CABLE SIZE, MATERIAL WORKMANSHIP, ALL ELECTRICAL INSTALLATION AND OTHER DETAILS SHALL BE DESIGNED BY THE CONTRACTOR AND COMPLY WITH THE LATEST EDITION OF THE CODE OF PRACTICE FOR THE ELECTRICITY (WIRING) REGULATIONS, GENERAL SPECIFICATION FOR ELECTRICAL INSTALLATION IN GOVERNMENT BUILDINGS HONG KONG AND IEE WIRING REGULATION.
 7. ALL METALWORK ASSOCIATED WITH ALL ELECTRICAL INSTALLATION NOT FORMING PART OF A PHASE OR NEUTRAL CIRCUIT SHALL BE BONDED TOGETHER AND SOLIDLY AND EFFECTIVELY EARTHED FROM JUNCTION BOX VIA ARMoured CABLE CONNECTED TO EFFECTIVE EARTHING SYSTEM. THE EARTHING SYSTEM SHALL COMPLY WITH THE REQUIREMENTS IN THE 'CODE OF PRACTICE FOR THE ELECTRICITY (WIRING) REGULATIONS', 'IEE REGULATIONS', CP1013, BS7430 AND BS7671. MOREOVER, EARTH PITS DETAILS SHALL FOLLOW HYD STANDARD DRAWING NO. H2165 AND H2166 EXCEPT THAT THE LOGO OF 'E' AND 'M' SHALL BE REPLACED BY 'PL'.
 8. CABLE SHALL BE PVC INSULATED WITH COPPER CONDUCTORS 600/1000V GRADE TO BS6346 OR 450/750 GRADE TO BS7211 LSZH UNLESS OTHERWISE STATED. ALL CABLES OF LANTERNS SHALL BE 2.5 mm IN CROSS-SECTION AREA AND SHALL BE PROTECTED BY TYPE C WITH M8 MCB AND HRC FUSE (AT APPROPRIATED RATING).
 9. DRAINAGE HOLES FOR STAINLESS STEEL ENCLOSURE AND ALL ADAPTABLE BOXES SHALL BE PROVIDED. RAIN SHELTER FOR THE STAINLESS STEEL ENCLOSURE SHALL BE PROVIDED.

no.	date	description	initial
REVISION			
designed	S.T. WONG	SIGNED	JUN 02
drawn	K.K. LAW	SIGNED	JUN 02
checked	senior technical officer	H.T. TANG	SIGNED JUN 02
	project engineer	S.T. WONG	SIGNED JUN 02
senior engineer	senior engineer	P.C. LEUNG	SIGNED JUN 02

approved
 SIGNED P.K.C. CHAN JUN 02
 Chief Lighting Engineer date

contract no.
 file no.
 project no.
 contract

drawing title
CANTILEVER DIRECTIONAL SIGN
 (SHEET 5 OF 5)
 drawing no. SSD153 (5) scale AS SHOWN

office LIGHTING DIVISION 路燈部
 HIGHWAYS DEPARTMENT 路政署
 HONG KONG 香港