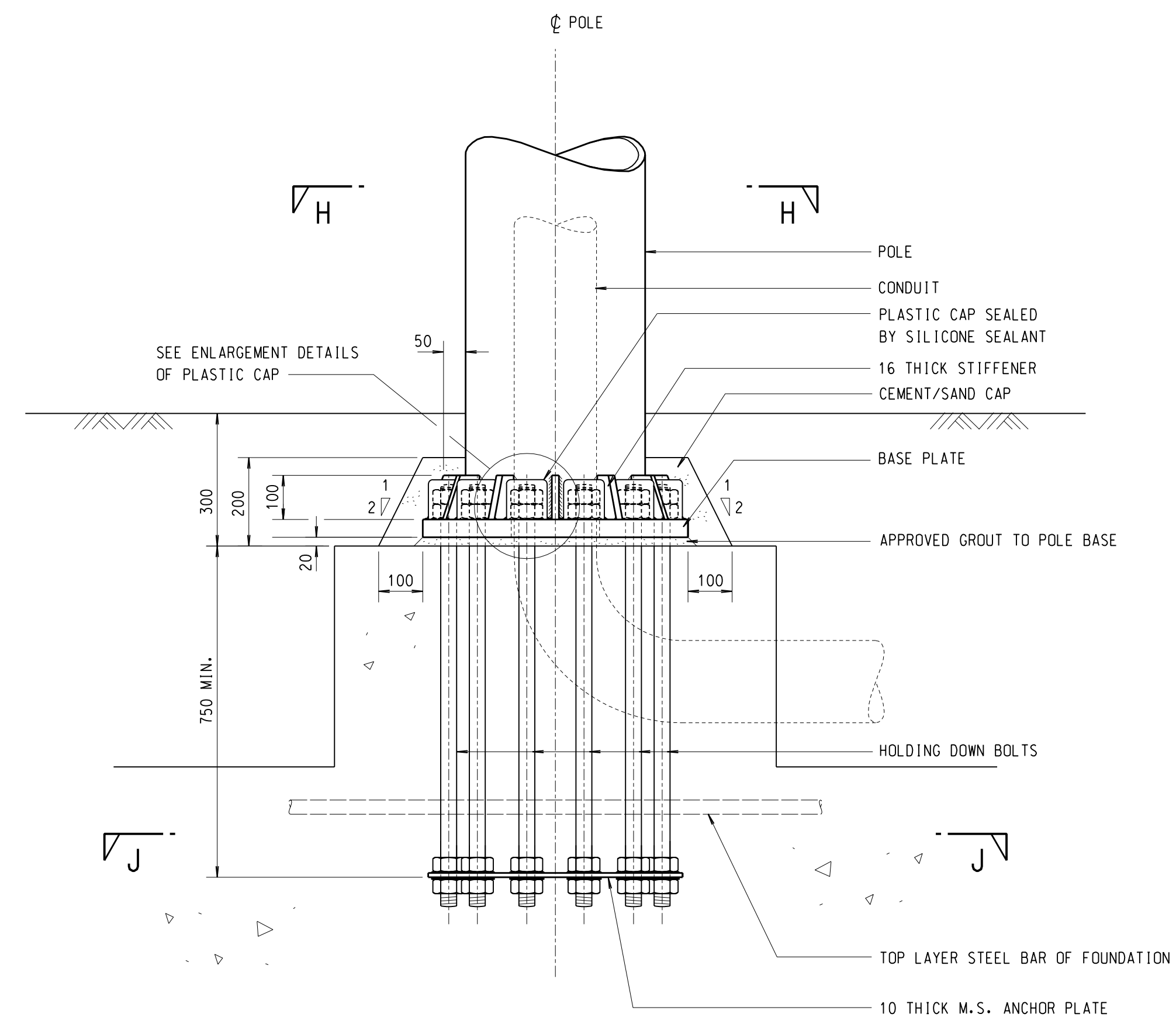
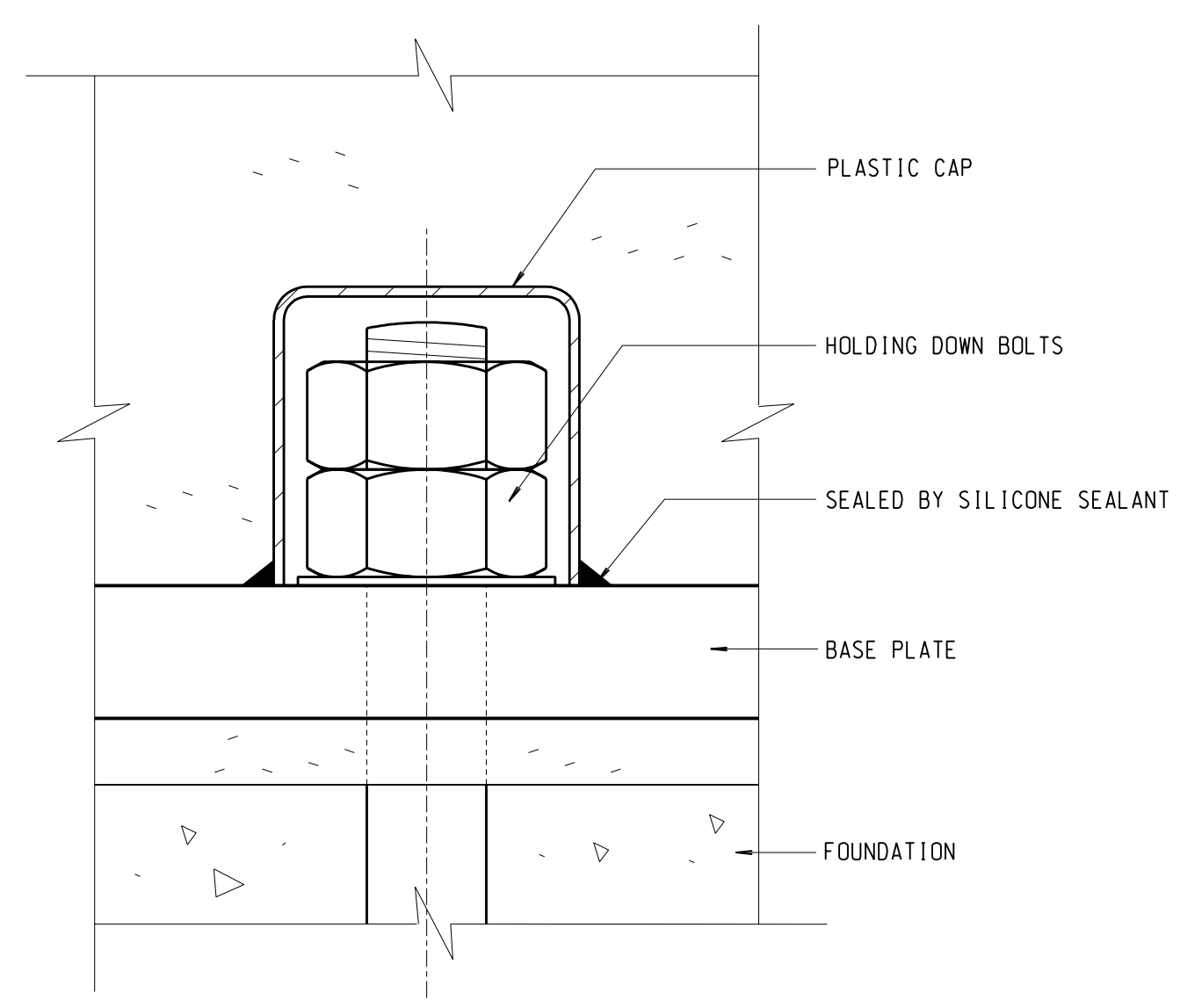


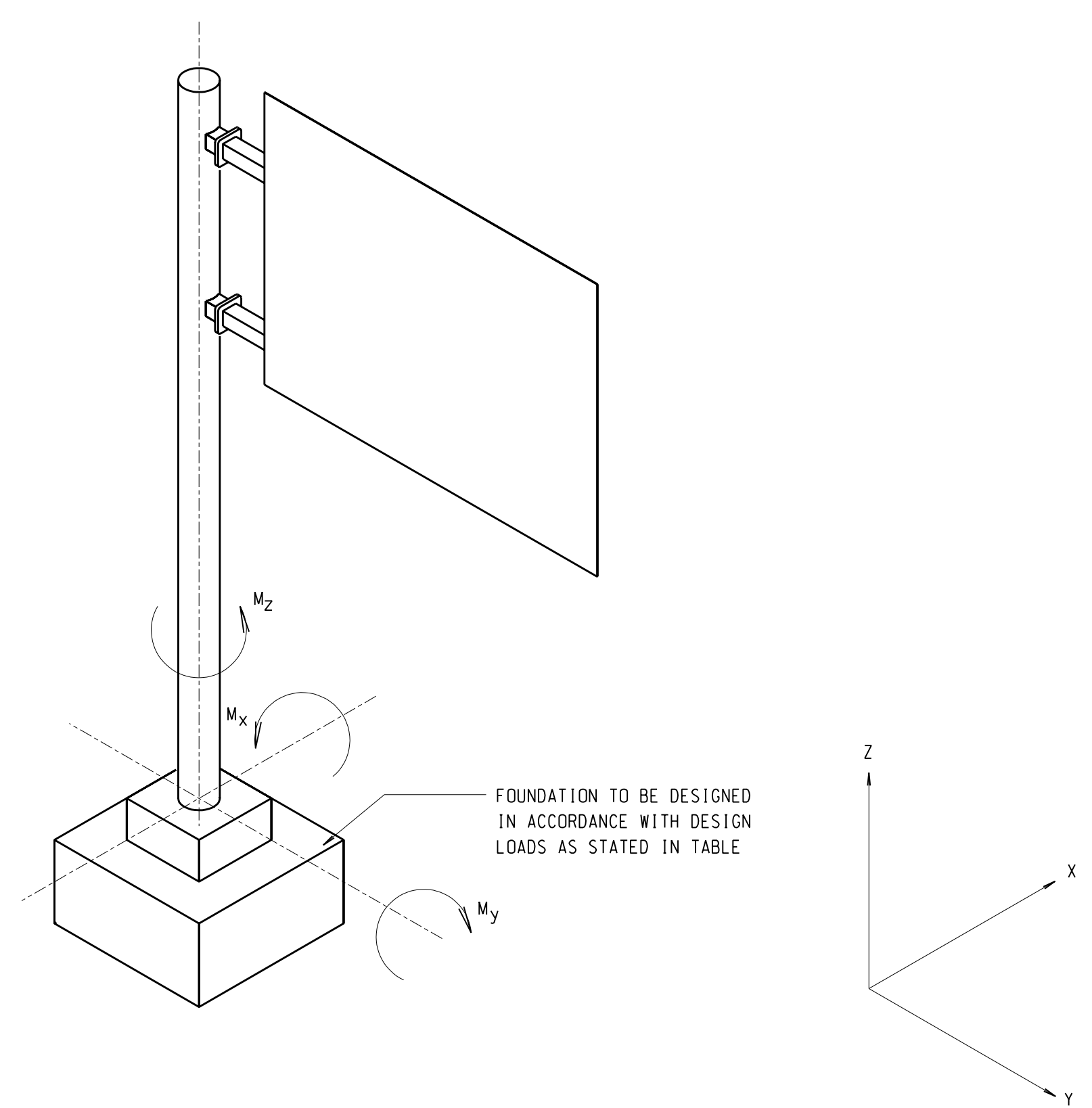
NOTES:  
1. THIS DRAWING SHALL BE READ IN CONJUNCTION WITH DRG. NO. SSD153(1).



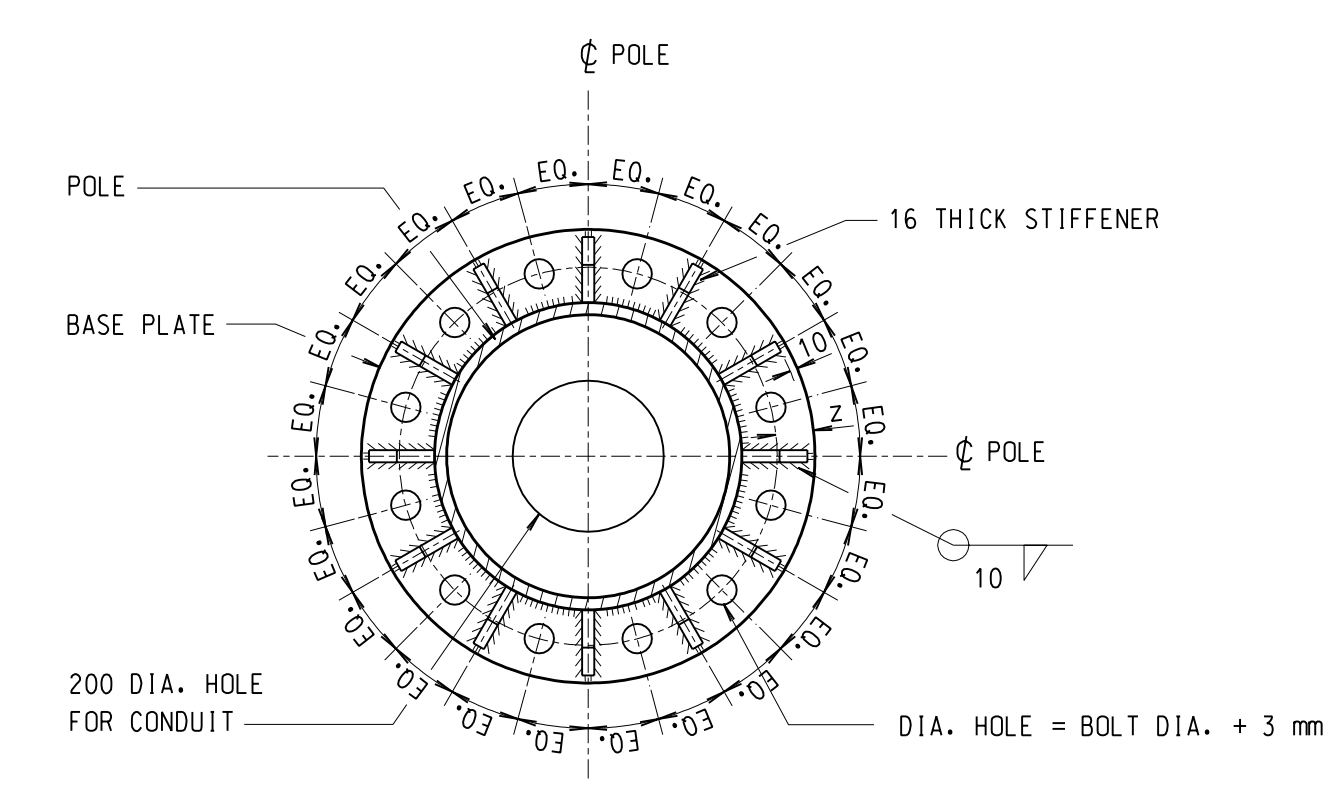
**TYPICAL CONNECTION OF POLE TO FOUNDATION FOR TYPE A AND TYPE B**  
(TYPE C AND TYPE D SIMILAR)  
SCALE 1:10



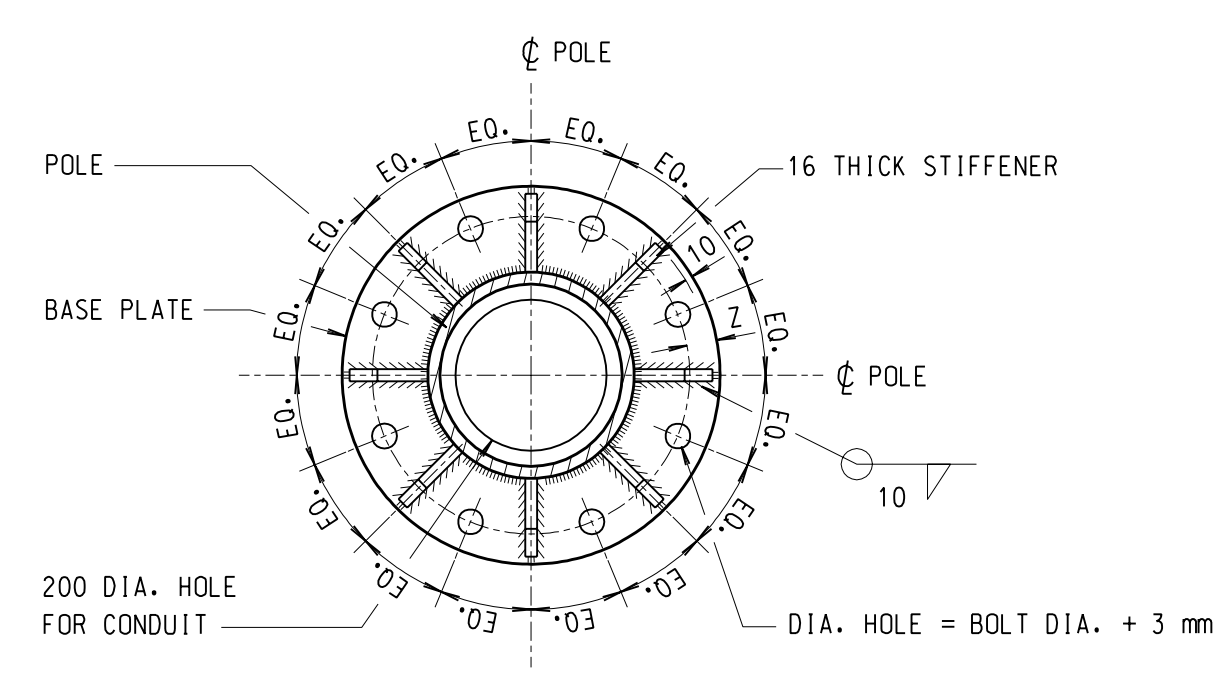
**ENLARGEMENT DETAILS OF PLASTIC CAP**  
SCALE 1:2



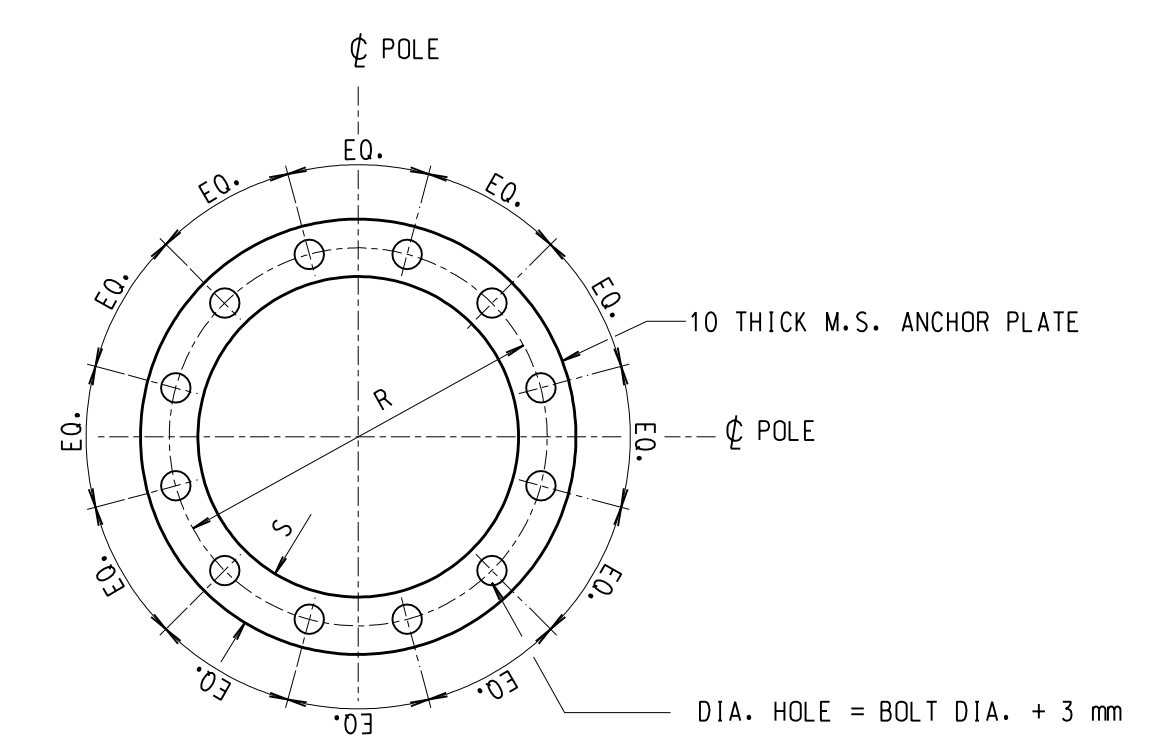
**ISOMETRIC VIEW**  
N.T.S.



**SECTION H-H**  
(BOLT NOT SHOWN)  
SCALE 1:10



**ALTERNATIVE SECTION FOR TYPE C AND TYPE D**  
(BOLT NOT SHOWN)  
SCALE 1:10



**SECTION J-J**  
**TYPICAL ANCHORAGE DETAILS**  
(BOLT NOT SHOWN)  
SCALE 1:10

**LEGEND :**  
R = BASE PLATE DIA. - 2 x Z  
S = 2 x BOLT DIA. + 4 mm

**TABLE - FOUNDATION DESIGN REQUIREMENTS**

TYPE	UNFACTORED DESIGN LOAD AT BASE OF POLE					
	F <sub>x</sub> (kN)	F <sub>y</sub> (kN)	F <sub>z</sub> (kN)	M <sub>x</sub> (kNm)	M <sub>y</sub> (kNm)	M <sub>z</sub> (kNm)
A	70	50	20	150	460	170
B	60	50	15	150	340	100
C	50	50	10	150	170	50
D	50	50	10	150	150	30

no.	date	description	initial
REVISION			
designed	T. CHUNG	SIGNED	APR 02
drawn	K.K. LAW	SIGNED	APR 02
senior technical officer	H.T. TANG	SIGNED	MAY 02
project engineer	T. CHUNG	SIGNED	MAY 02
senior engineer	W.C. LAU	SIGNED	MAY 02

name	signature	date
SIGNED		
P.C. WONG		MAY 02
Chief Highway Engineer		

contract no.  
file no.  
project no.  
contract

drawing title  
**CANTILEVER DIRECTIONAL SIGN**  
(SHEET 4 OF 5)

drawing no. **SSD153 (4)** scale **AS SHOWN**

office **STRUCTURES DIVISION** 結構部

**HIGHWAYS DEPARTMENT** 路政署  
HONG KONG 香港