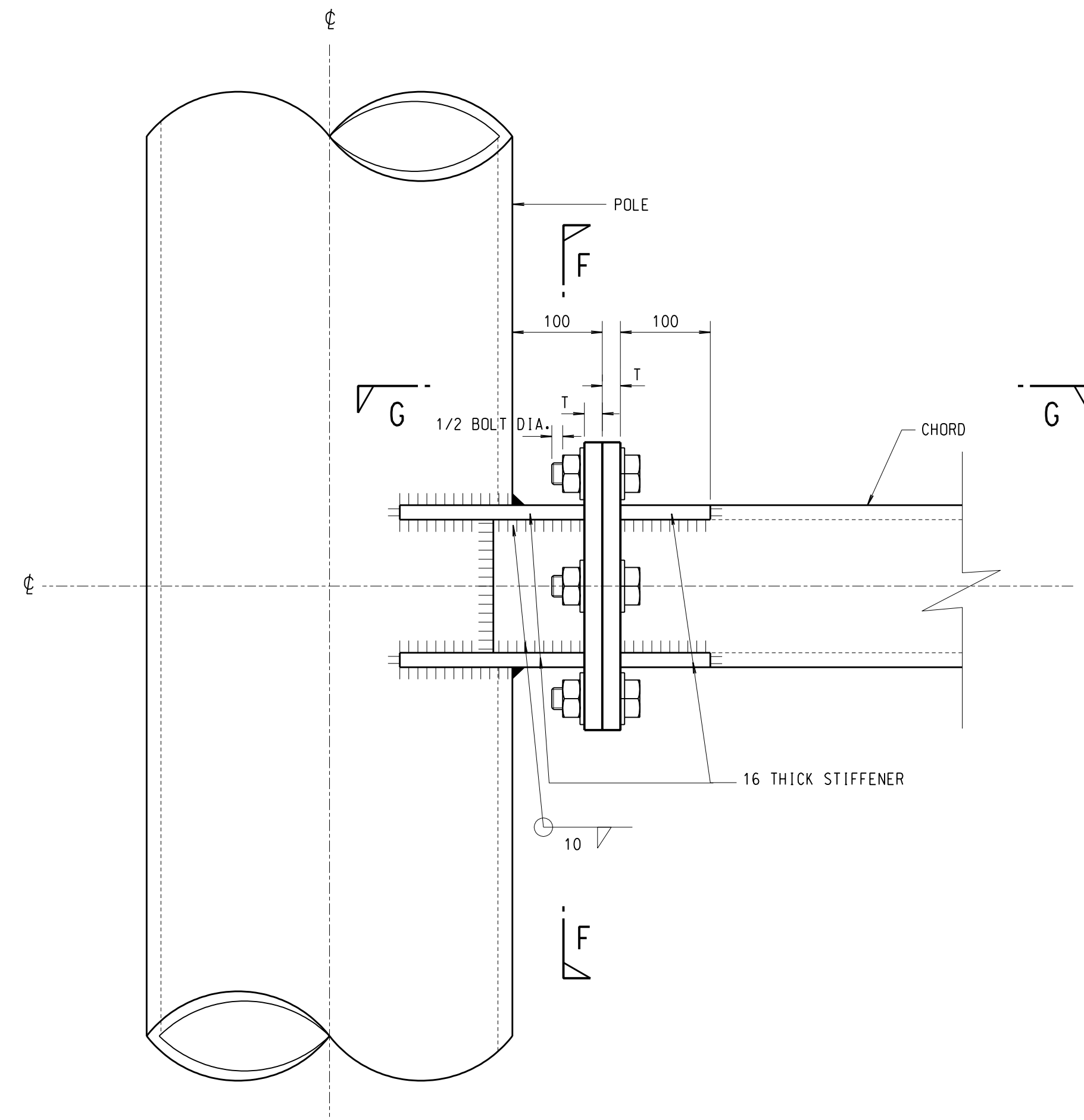
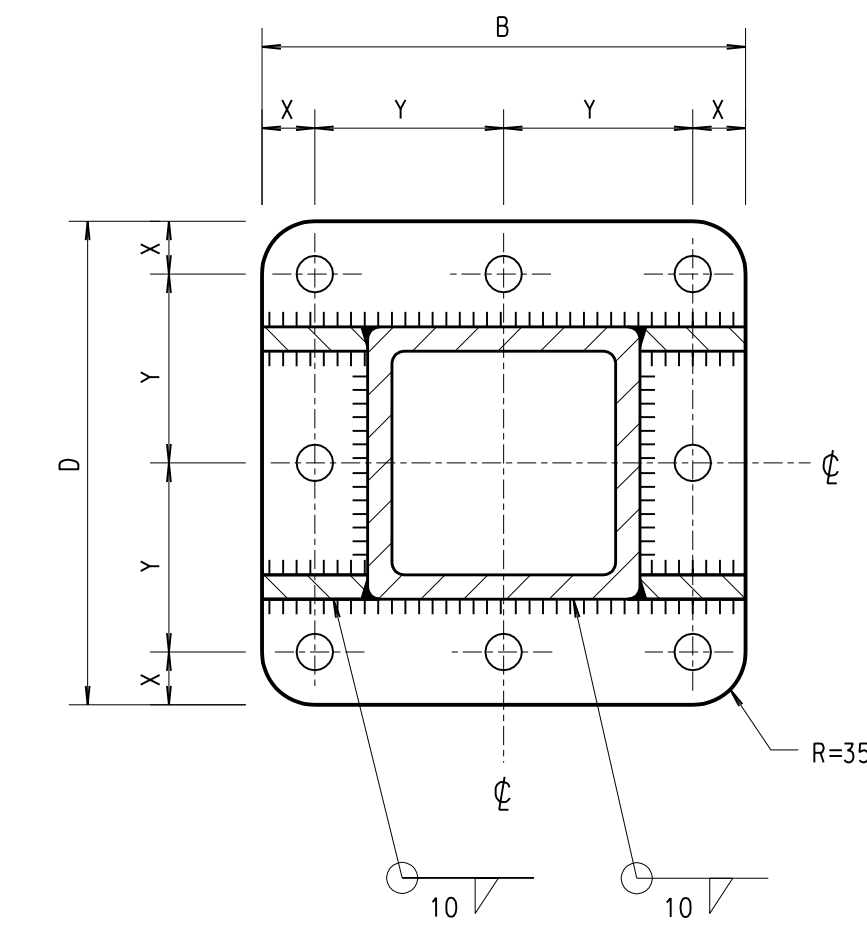


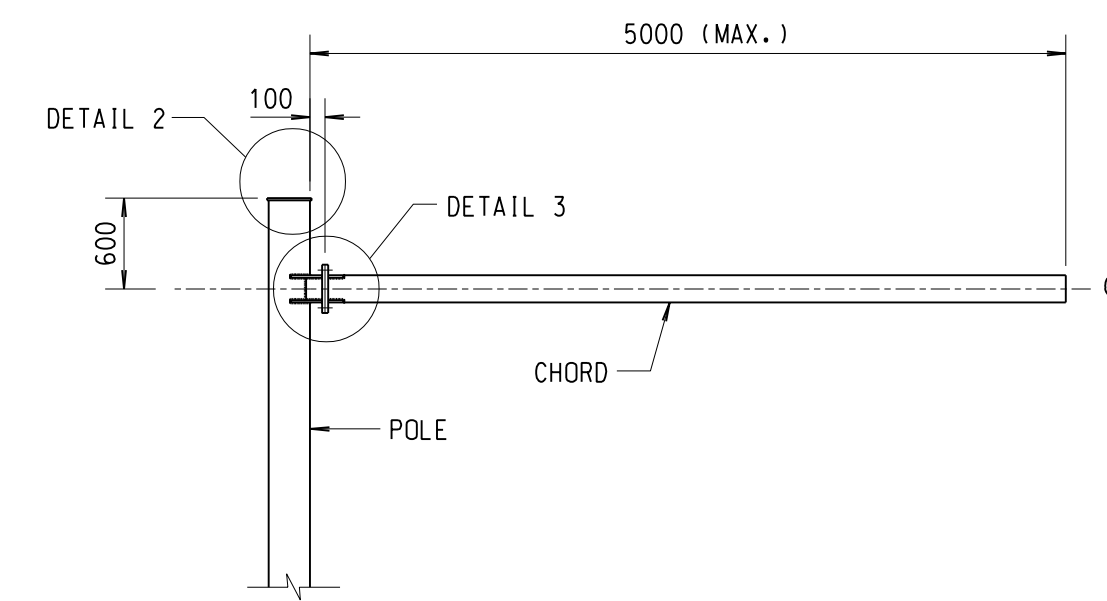
ELEVATION OF TRUSS FRAME FOR TYPE A AND TYPE B  
SCALE 1:50



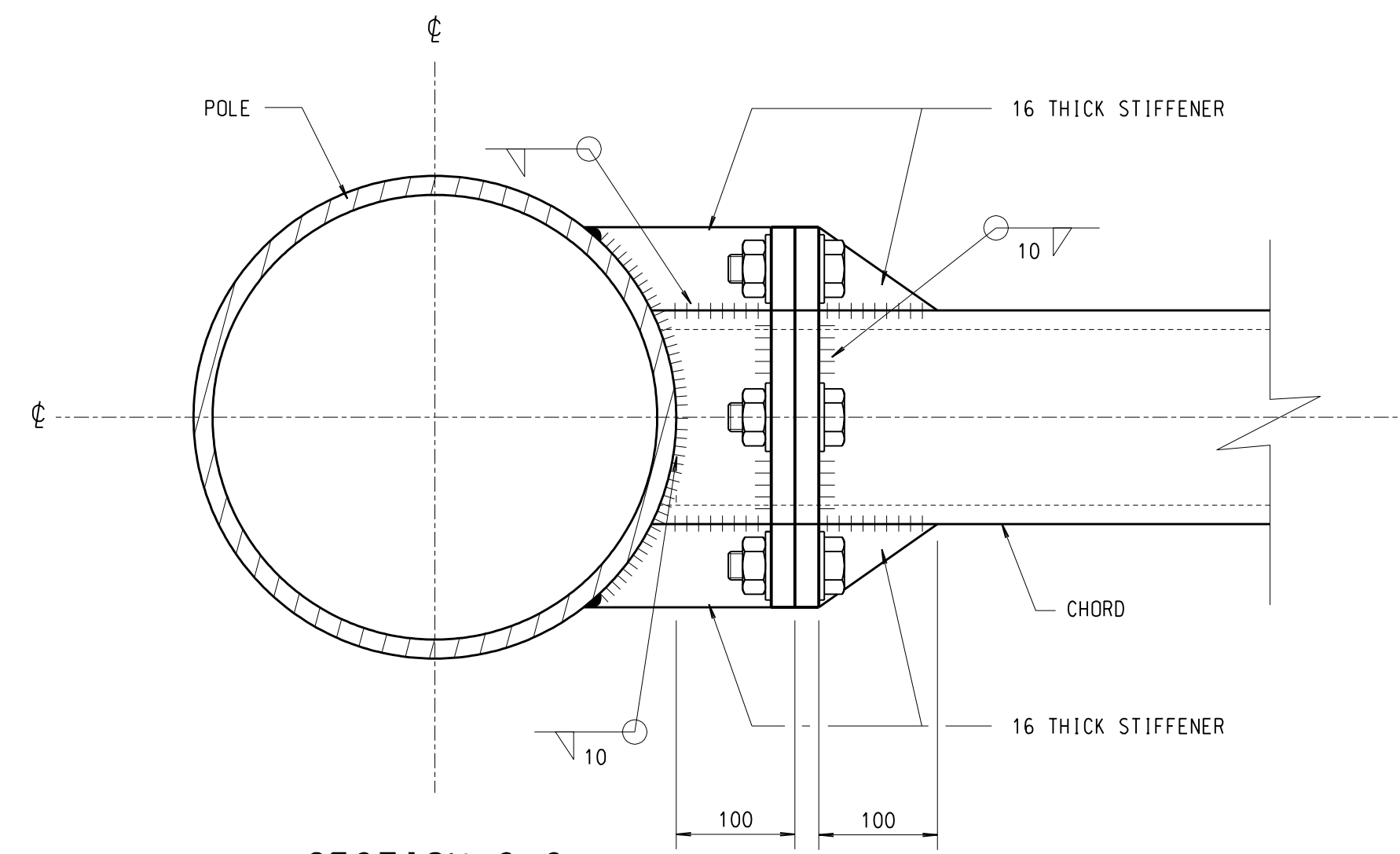
DETAIL 3  
SCALE 1:5



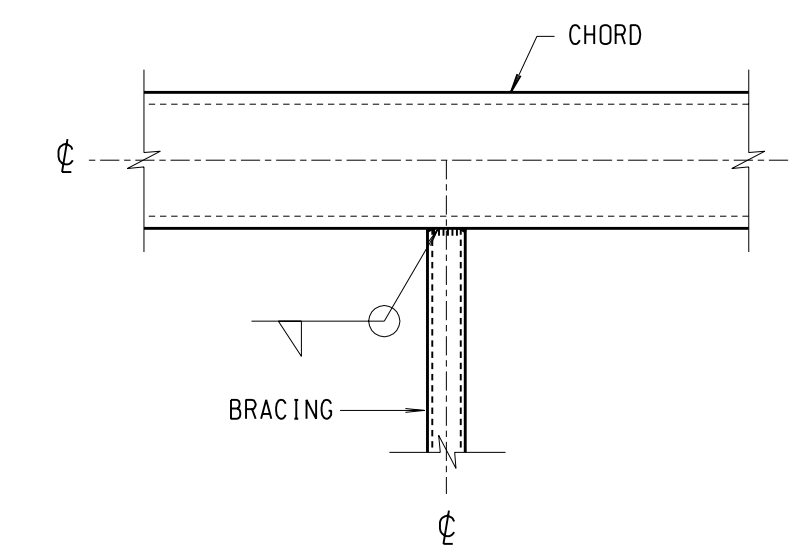
SECTION F-F  
SCALE 1:5



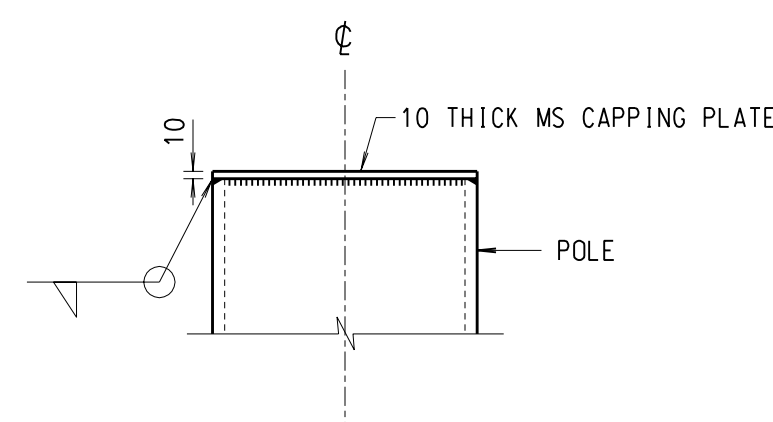
ELEVATION OF TRUSS FRAME FOR TYPE C AND TYPE D  
SCALE 1:50



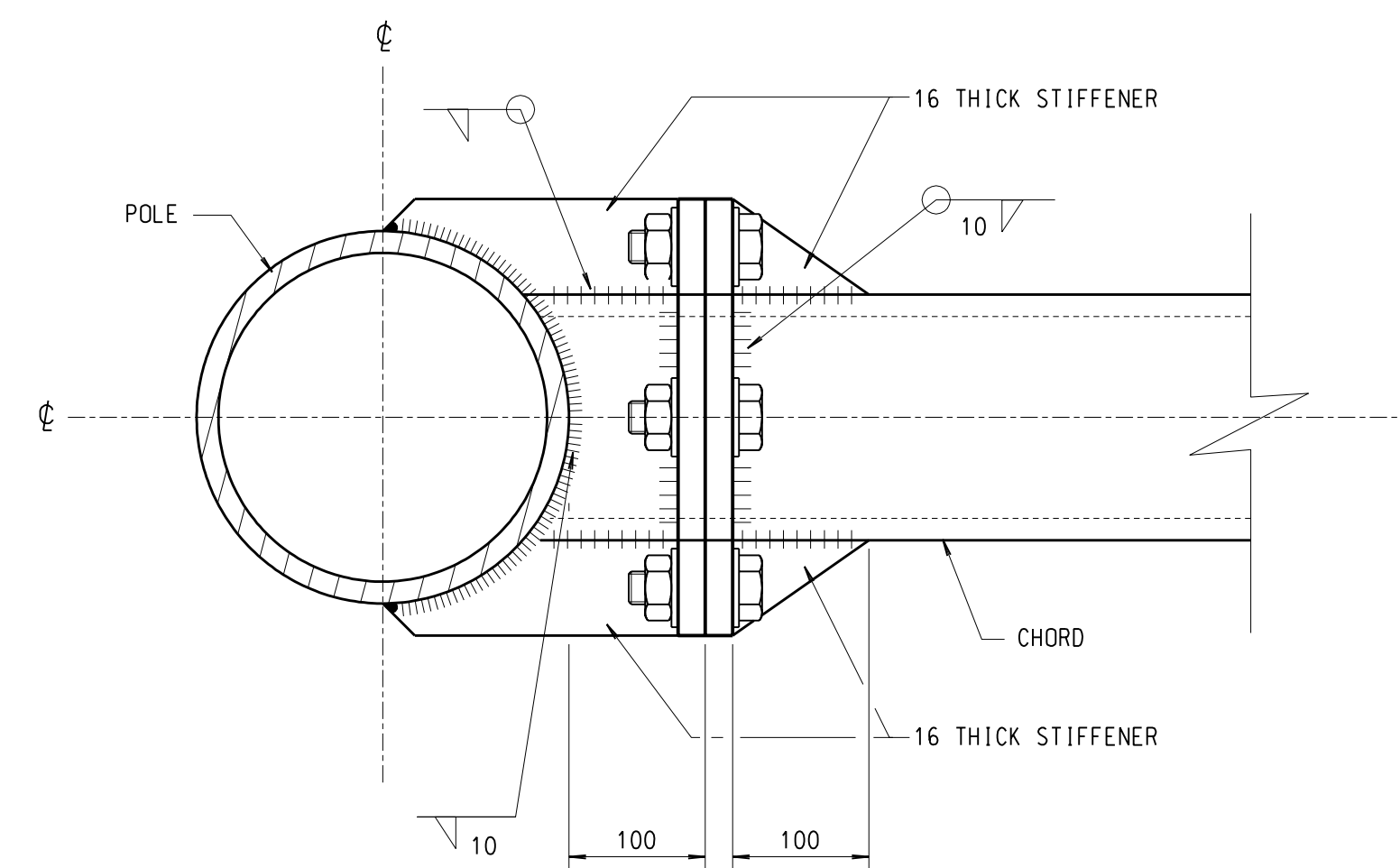
SECTION G-G  
SCALE 1:5



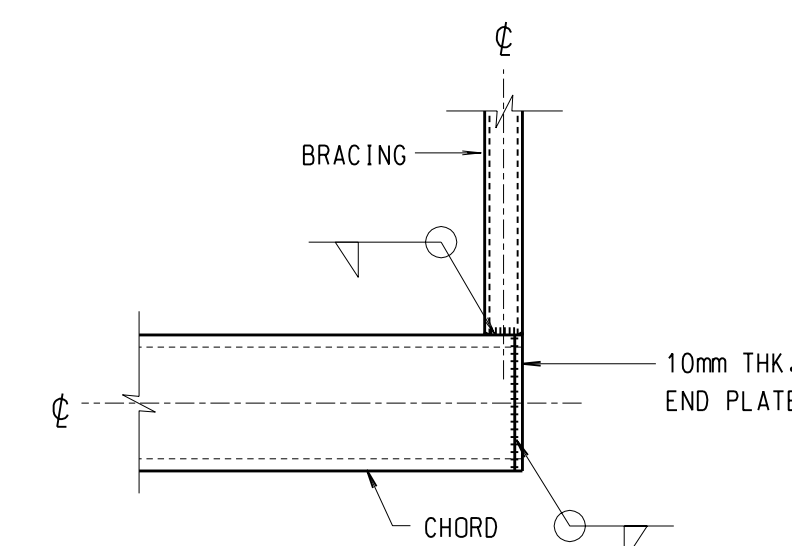
DETAIL 4  
SCALE 1:10



DETAIL 2  
SCALE 1:10



ALTERNATIVE SECTION FOR TYPE C AND TYPE D  
SCALE 1:5



DETAIL 5  
SCALE 1:10

NOTES:  
1. THIS DRAWING SHALL BE READ IN CONJUNCTION WITH DRG. NO. SSD153(1).

no.	date	description	initial
REVISION			
		name	signature
designed	T. CHUNG		SIGNED APR 02
drawn	K.K. LAW		SIGNED APR 02
checked	senior technical officer	H.T. TANG	SIGNED MAY 02
	project engineer	T. CHUNG	SIGNED MAY 02
	senior engineer	W.C. LAU	SIGNED MAY 02

approved  
 SIGNED P.C. WONG MAY 02  
 Chief Highway Engineer date

contract no.

file no.

project no.

contract

drawing title  
 CANTILEVER DIRECTIONAL SIGN

(SHEET 2 OF 5)

drawing no. SSD153 (2) scale AS SHOWN

office STRUCTURES DIVISION 結構部

HIGHWAYS DEPARTMENT 路政署  
 HONG KONG 香港