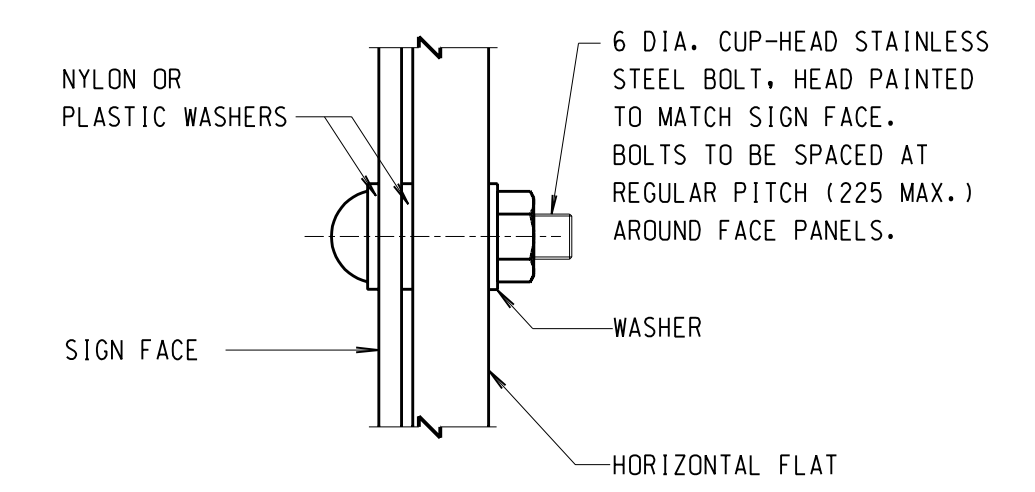
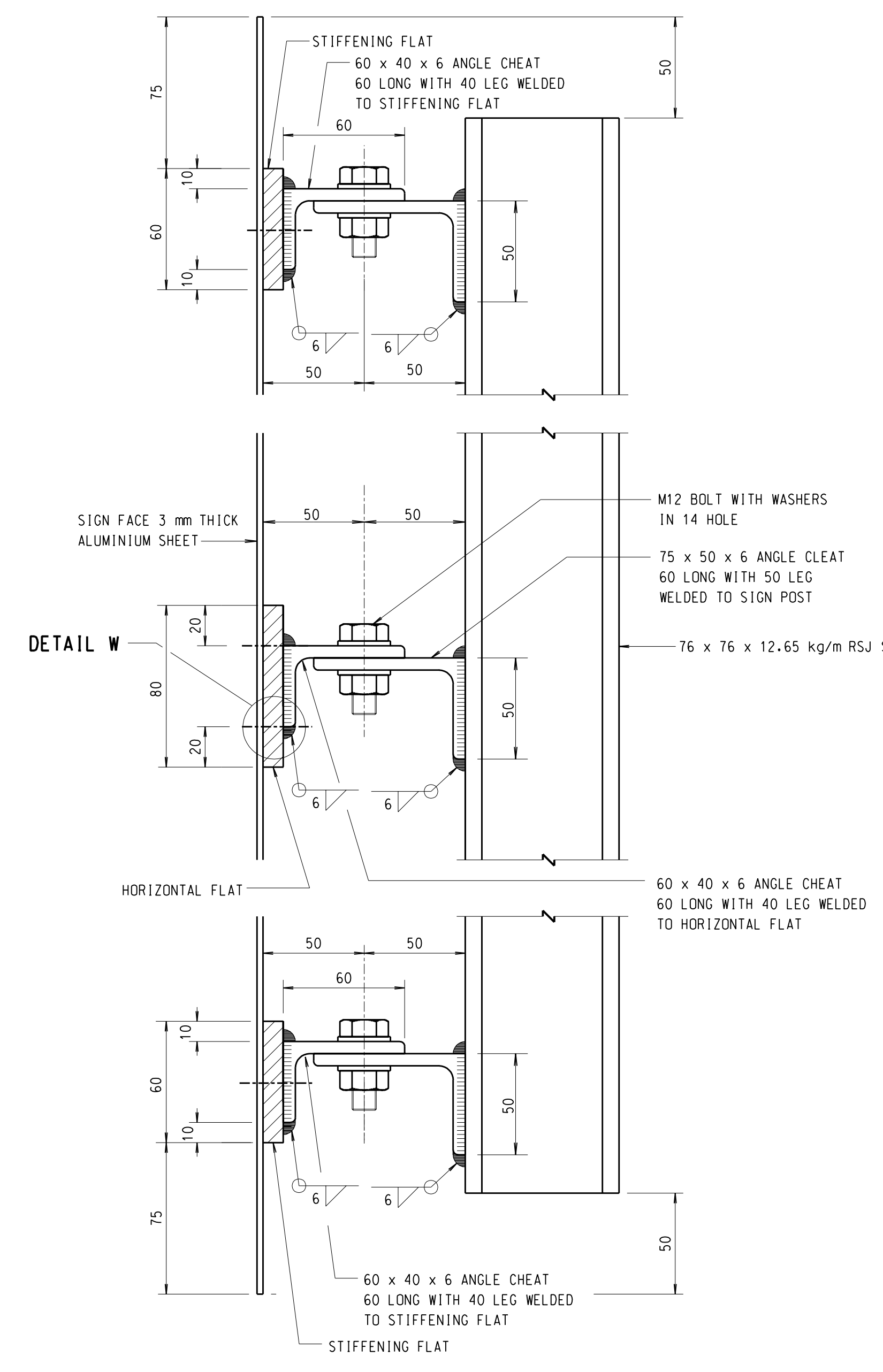


DESCRIPTIONS	PERMISSIBLE DIMENSIONS
X1, X2	610 < (X1, X2) < 1220
Y1, Y2	300 < (Y1, Y2) < 600

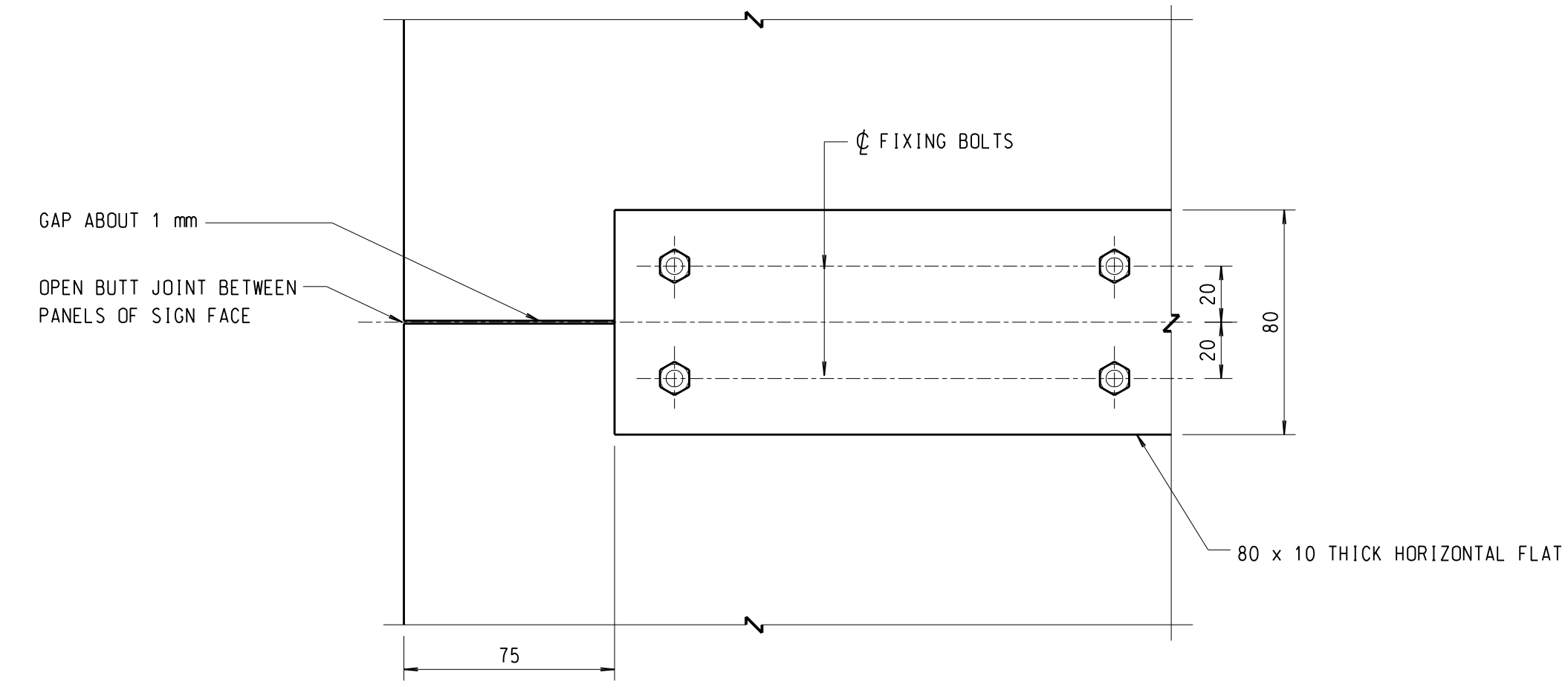
TABLE II - SIGN FACE PANEL ARRANGEMENT

NOTES:  
 1. THIS DRAWING SHALL BE READ IN CONJUNCTION WITH DRG. NO. SSD 152(1).  
 2. THE MAXIMUM SIZE OF THE SIGN FACE PANEL IS DESIGNED TO BE 1220mm IN LENGTH AND 2400mm IN HEIGHT. WHEN THE SIGN HEIGHT IS LESS THAN OR EQUAL TO 2400mm, NO HORIZONTAL BUTT JOINT IS REQUIRED. WHEN THE SIGN HEIGHT IS GREATER THAN 2400mm, A HORIZONTAL BUTT JOINT BETWEEN TWO EQUAL HEIGHT SIGN PANELS IS REQUIRED.

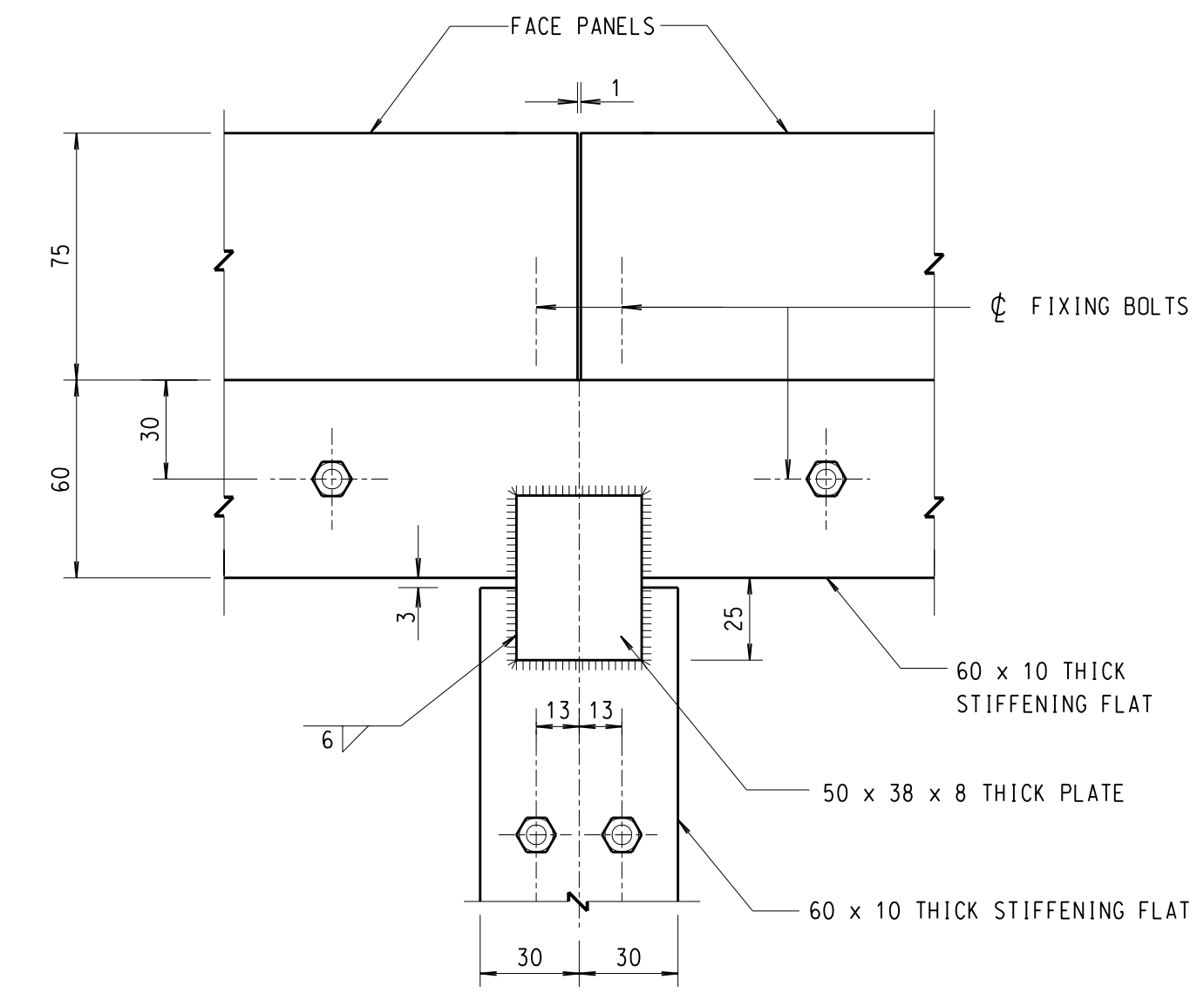
TYPICAL REAR ELEVATION OF SIGN FACE  
 SCALE 1:20



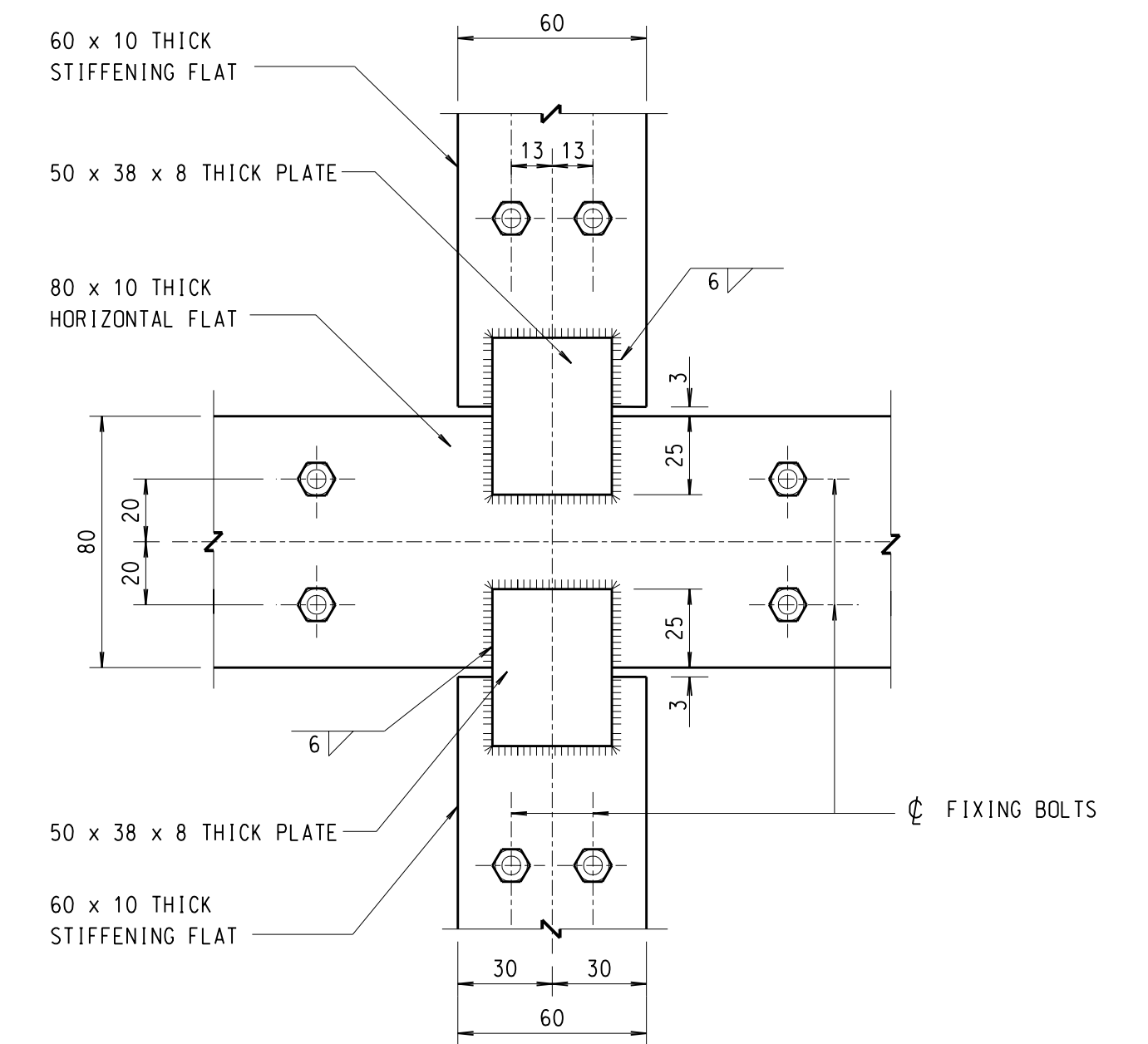
DETAIL W  
 SCALE 1:1



DETAIL Y  
 SCALE 1:2



DETAIL X  
 SCALE 1:2



DETAIL Z  
 SCALE 1:2

TYPICAL CONNECTION OF SIGN FACE FRAME TO SUPPORTING POSTS  
 SCALE 1:2

no.	date	description	initial
REVISION			
		name	signature
designed	K.K. LEE		SIGNED NOV 01
drawn	K.H. SO		SIGNED NOV 01
senior technical officer	P.S. CHAN		SIGNED SEP 02
project engineer	K.K. LEE		SIGNED SEP 02
senior engineer	W.C. CHAN		SIGNED SEP 02
SIGNED			SEP 2002
R.K.W. WONG			date
Chief Highway Engineer			

contract no.	
file no.	
project no.	
contract	

drawing title  
**SIGN FACE MOUNTING DETAILS**  
 SHEET 2 OF 2

drawing no.	SSD 152(2)	scale	AS SHOWN
-------------	------------	-------	----------

office  
 STRUCTURES DIVISION  
 結 構 部  
 HIGHWAYS DEPARTMENT  
 路 政 署  
 HONG KONG  
 香 港