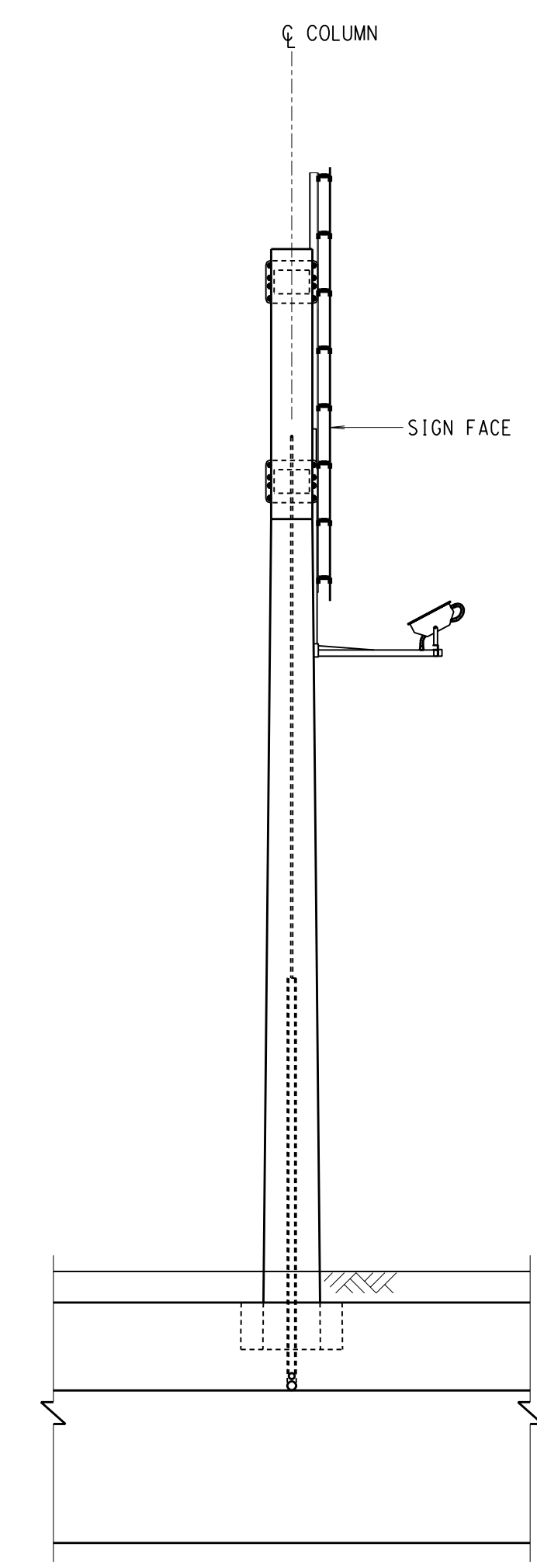


REAR ELEVATION

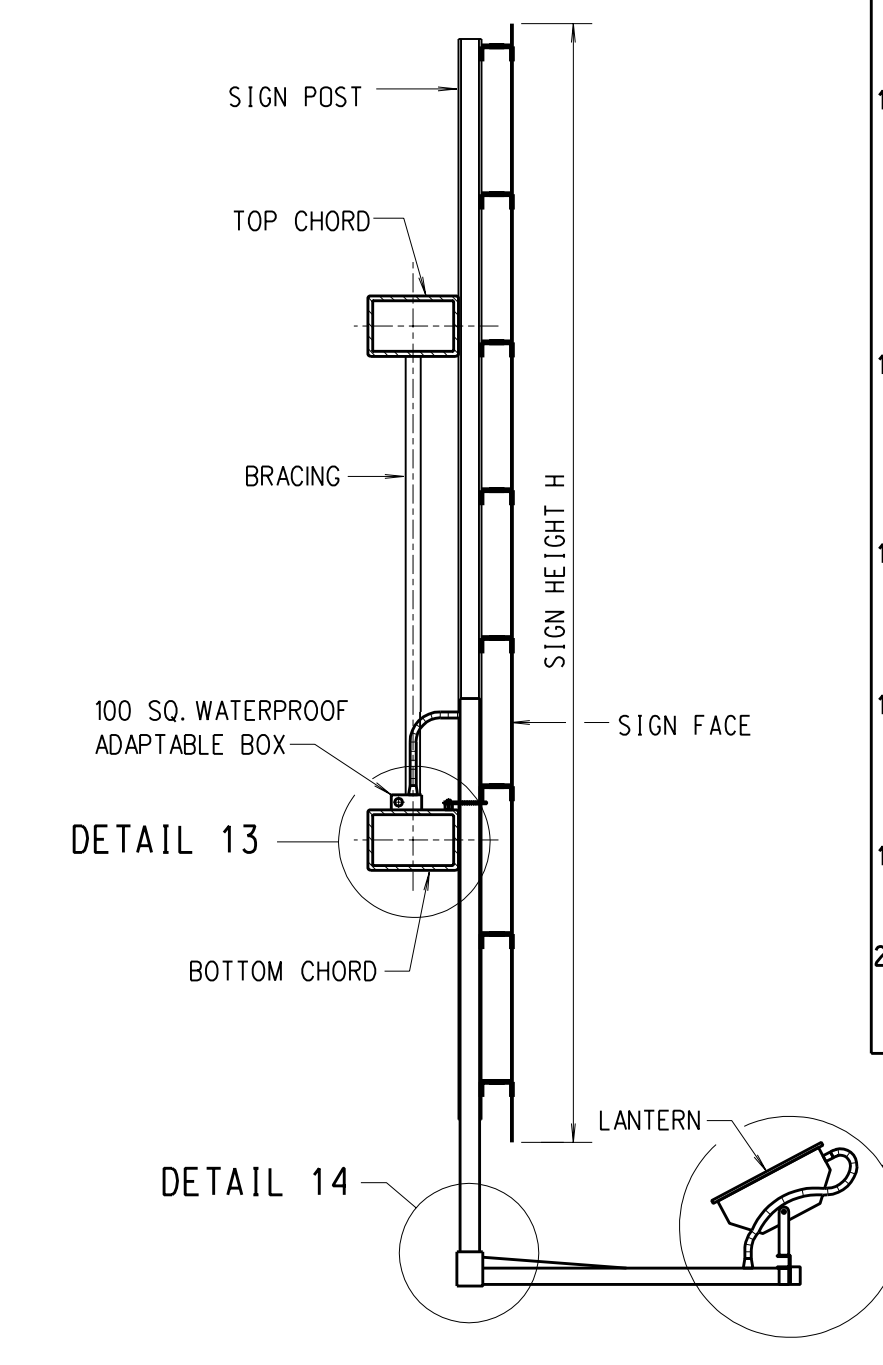
SIGN POST NOT SHOWN FOR CLARITY
SCALE 1:50

- NOTES :
1. THE LOCATION OF STAINLESS STEEL ENCLOSURE TO BE AGREED WITH LIGHTING DIVISION AND HIS MAINTENANCE AGENT
 2. THE LOCATION OF LANTERNS SHOWN ON THIS DRAWING IS INDICATIVE ONLY. THE NUMBER OF FITTINGS AND ARRANGEMENT SHALL BE DESIGNED BY CONTRACTOR AND SUBMITTED FOR ENGINEER'S APPROVAL



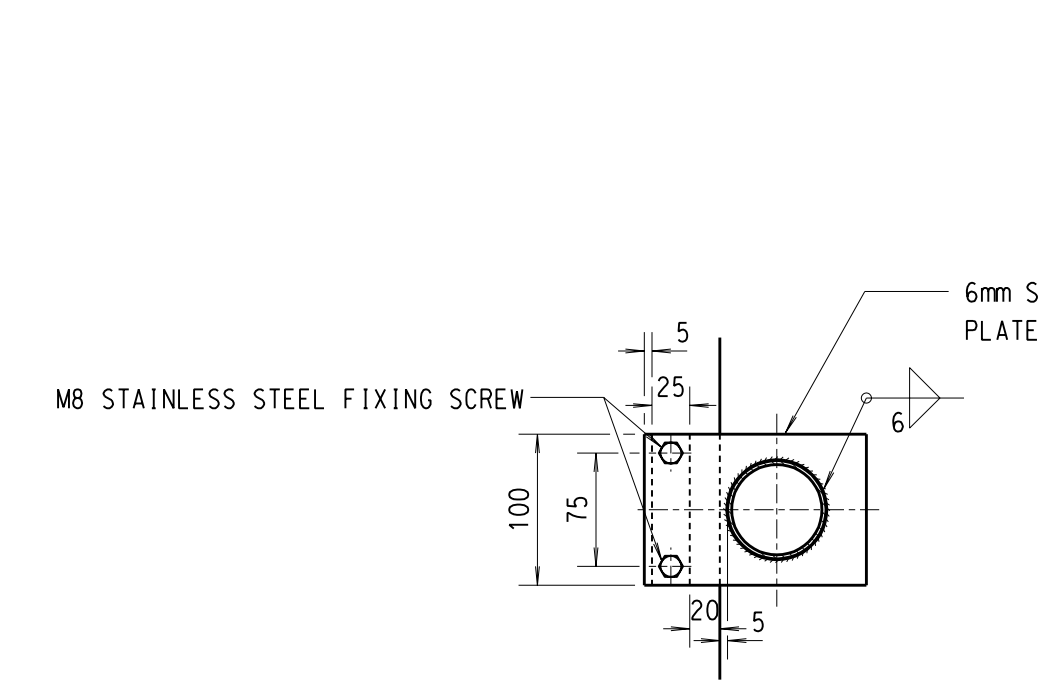
VIEW C

SCALE 1:50



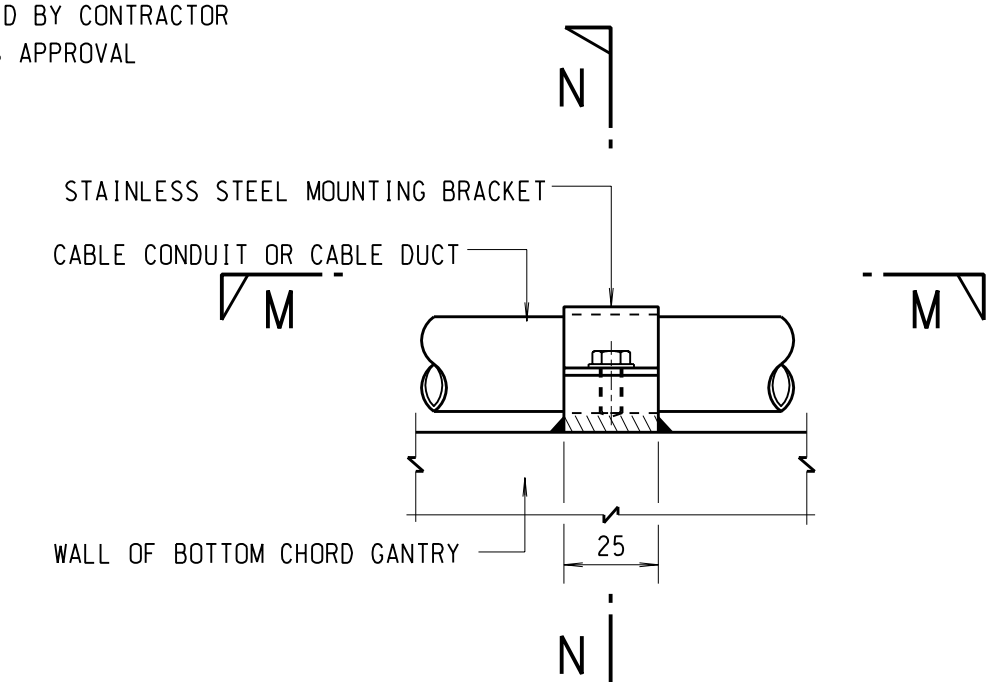
SECTION B-B

SCALE 1:25



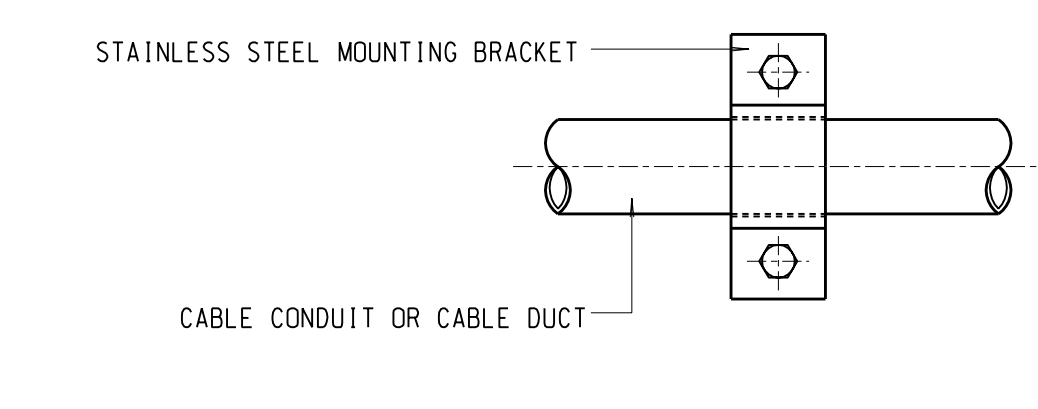
SECTION L-L

SCALE 1:5



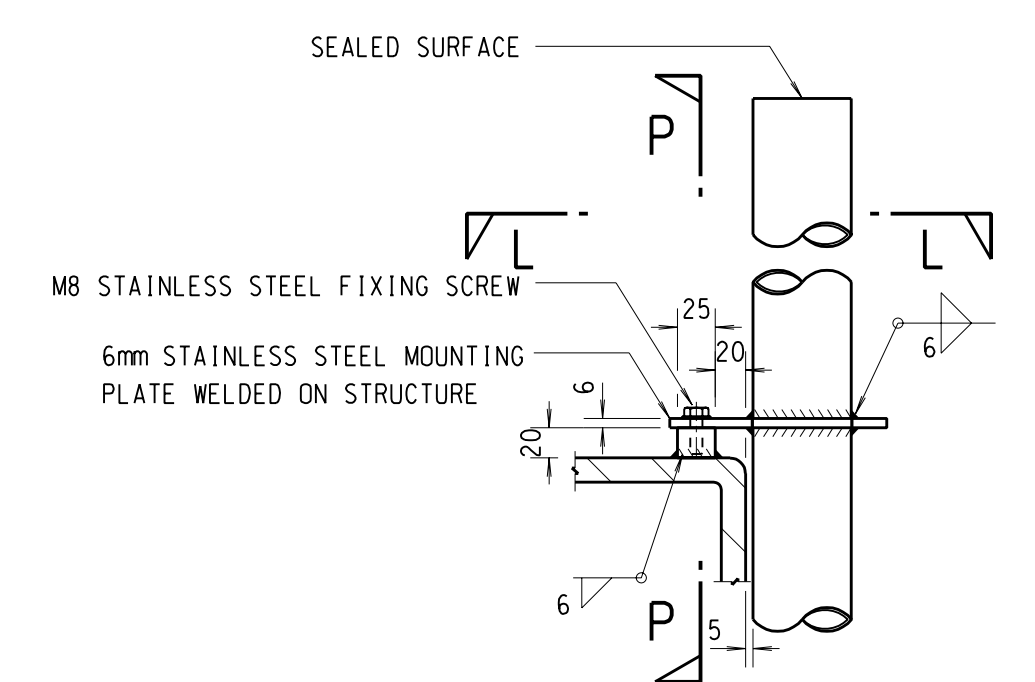
DETAIL 12

SCALE 1:2



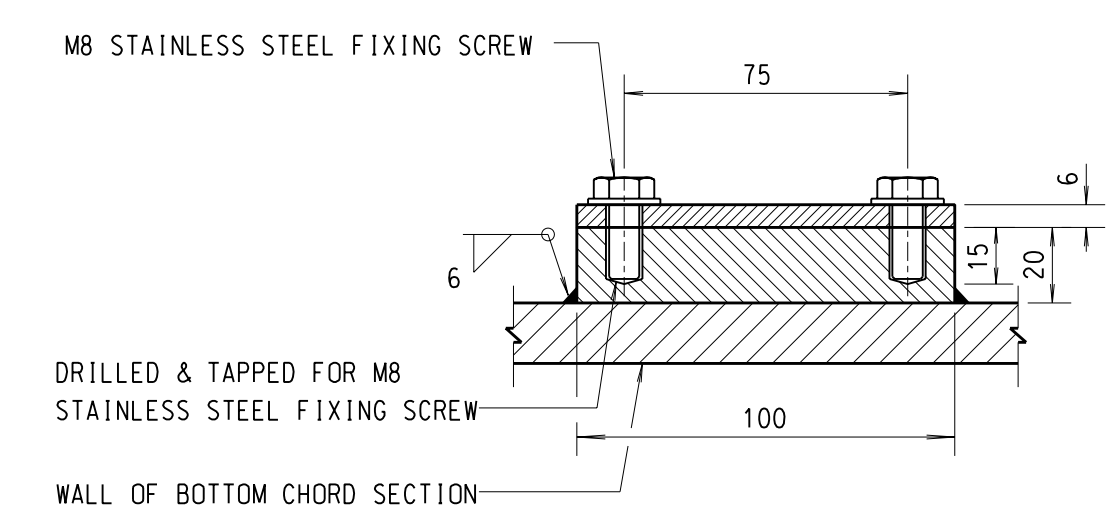
PLAN M-M

SCALE 1:2



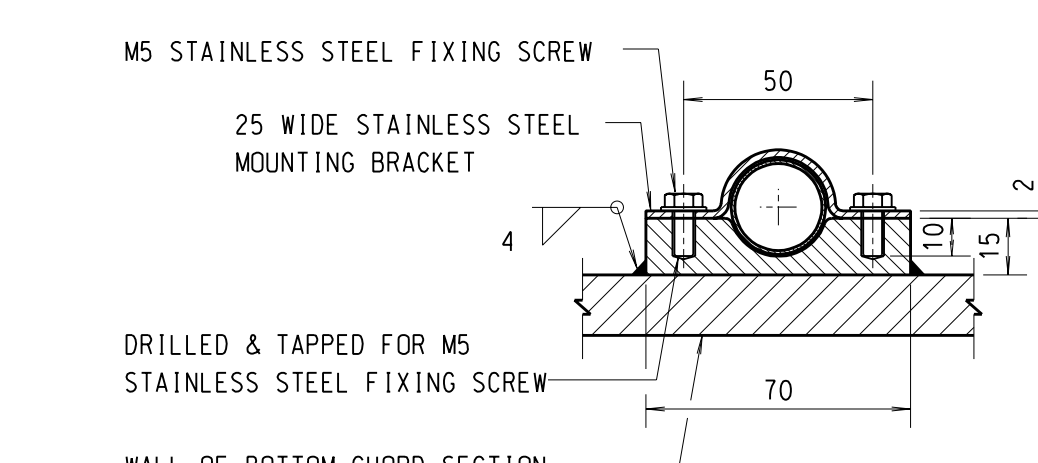
DETAIL 13

SCALE 1:5



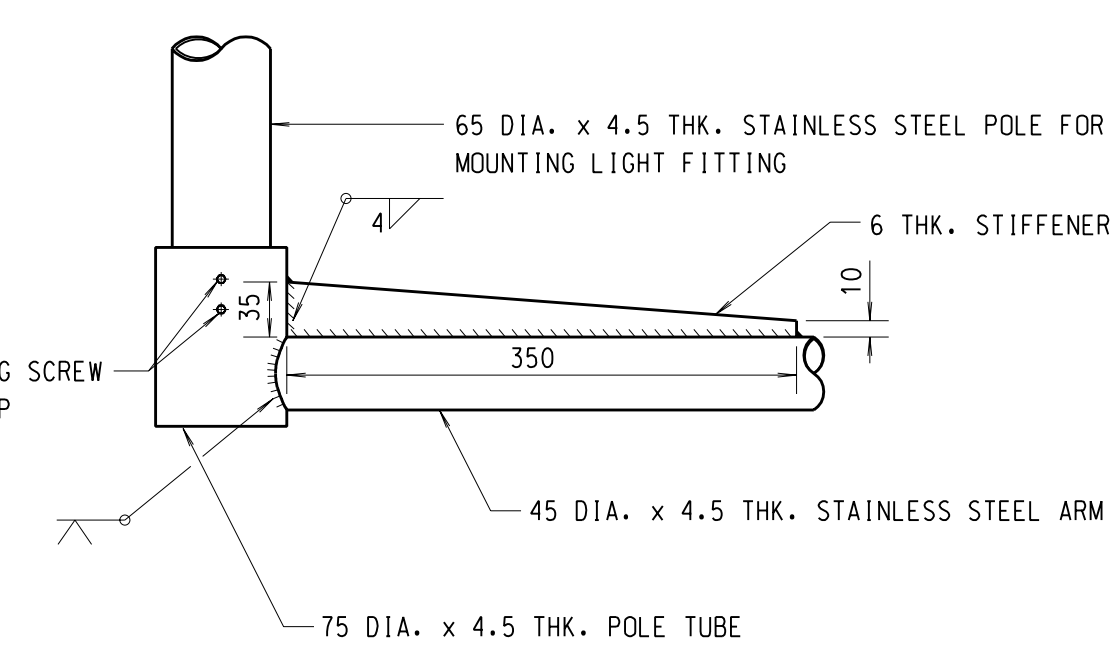
SECTION P-P

SCALE 1:2



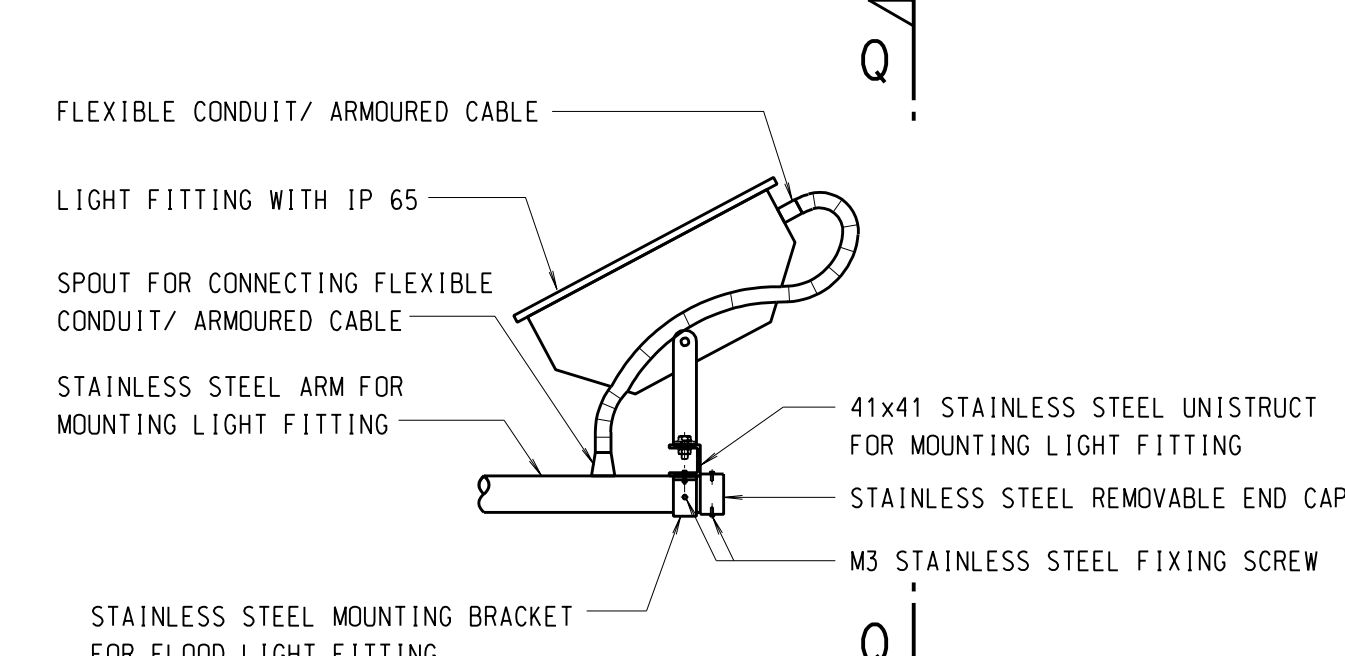
SECTION N-N

SCALE 1:2



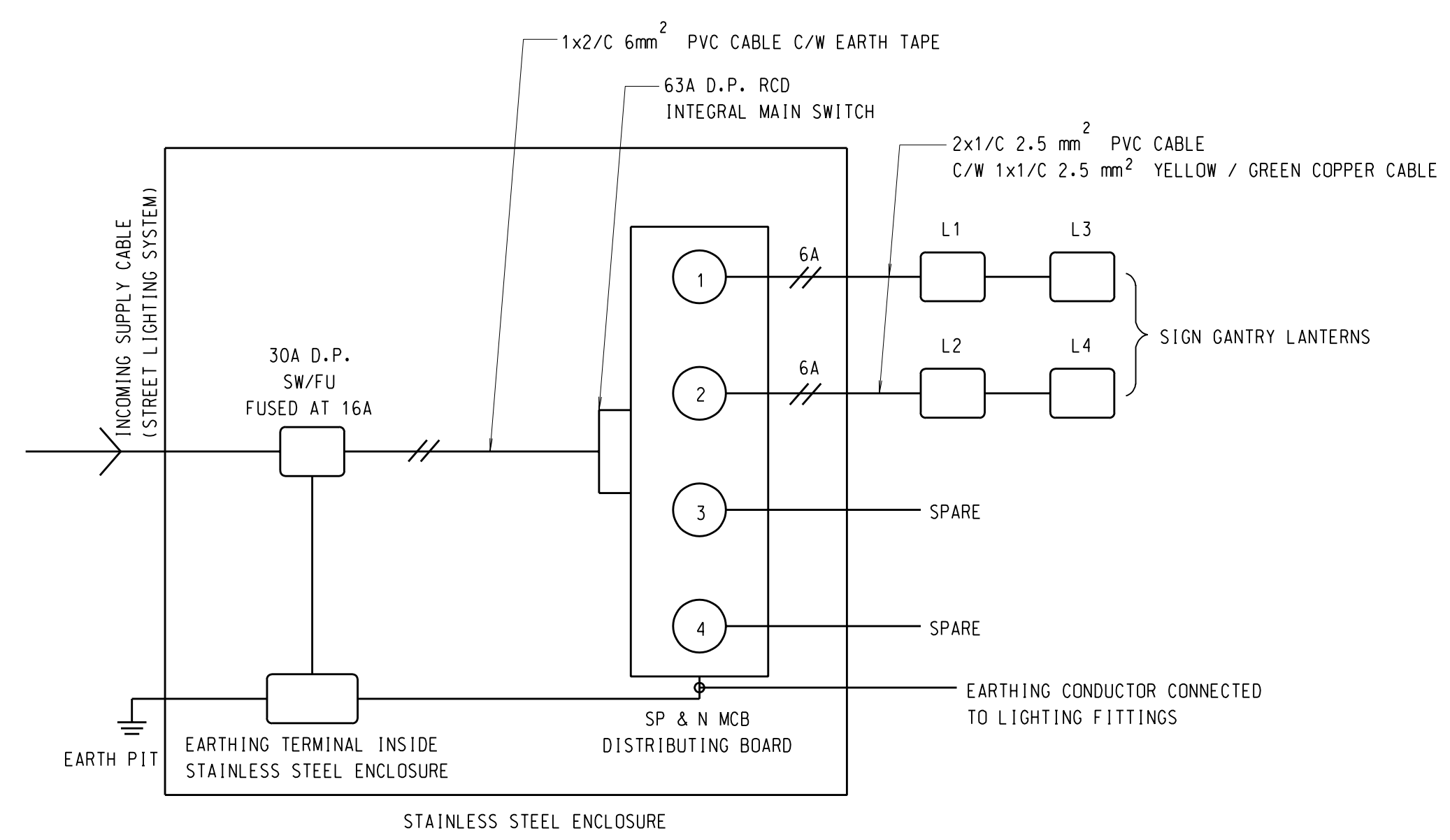
DETAIL 14

SCALE 1:5

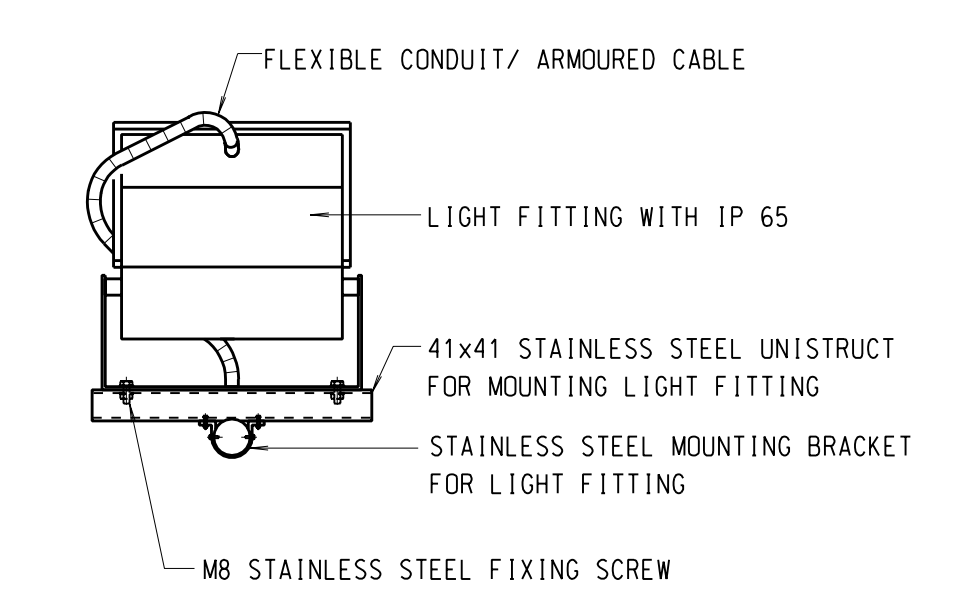


DETAIL 15

SCALE 1:10



SCHEMATIC WIRING DIAGRAM FOR GANTRIES WITH FOUR LANTERNS



ELEVATION O-O

SCALE 1:10

10. STEEL CONDUIT, EXCEPT FLEXIBLE CONDUIT SHALL BE HEAVY GRADE, SCREWED, LONGITUDINALLY WELDED. ALL CONDUIT AND CONDUIT FITTINGS SHALL COMPLY WITH BS4568.
11. STEEL CONDUIT SHALL BE HOT DIP GALVANISED AGAINST CORROSION ACCORDING TO BS4568 PART 1 CLASS 4 HEAVY PROTECTION.
12. PROTECTIVE COATINGS ON CONDUIT FITTINGS SHALL COMPLY WITH BS4568 PART 2 CLASS 4 HEAVY PROTECTION BOTH INSIDE AND OUTSIDE.
13. PROTECTIVE COATING ON METAL BOXES FOR ENCLOSURE OF ELECTRICAL ACCESSORIES SHALL COMPLY WITH BS4662 HEAVY PROTECTION BOTH INSIDE AND OUTSIDE.
14. ALL ELECTRICAL ACCESSORIES, INCLUDING LANTERN SWITCH FUSE BOX, JUNCTION BOX, TERMINATION OF CONDUIT ETC. SHALL BE WATERTIGHT.
15. FLEXIBLE STEEL CONDUIT AND SOLID TYPE ADAPTORS SHALL COMPLY WITH BS731 PART 1 AND THE METALLIC CONDUIT SHALL BE WATERTIGHT, PVC OVERSHEATHED AND WITH A SEPARATE EARTH WIRE (CIRCUIT PROTECTIVE CONDUCTOR ENCLOSED FOR EARTH CONTINUITY).
16. STAINLESS STEEL BOLTS AND NUTS SHALL COMPLY WITH BS6105, GRADE A4-80. STAINLESS STEEL FRAME WORKS SHALL COMPLY WITH BS1449:PART 2 GRADE 316 S11.
17. DRAW PITS SHALL BE PROVIDED FOR ALL GANTRY SIGNS AND COMPLY WITH LIGHTING STANDARD DRAWINGS NO. L05G001-C0025 & C0026.
18. SUPPLEMENTARY BONDING CONNECTIONS SHALL BE MADE TO ALL METAL PARTS TO MAINTAIN THE EQUIPOTENTIAL ZONE.
19. ALL G.I. CONDUITS SHALL BE PAINTED ACCORDING TO THE ENGINEER'S INSTRUCTION.
20. THE CONTRACTOR SHALL PROVIDE 10% OF THE COMPLETE SET OF LIGHT FITTINGS WITH CATALOGUE TO THE ENGINEER AS SPARE PARTS.

- NOTES:
1. ALL DIMENSIONS ARE IN MILLIMETRES UNLESS OTHERWISE SPECIFIED.
 2. ALL WORK SHALL BE CARRIED OUT BY THE CONTRACTOR UNLESS OTHERWISE SPECIFIED.
 3. ALL LANTERNS, CONDUIT, WIRING AND ELECTRICAL FITTINGS SHALL BE SUPPLIED AND INSTALLED BY THE REGISTERED ELECTRICAL CONTRACTOR.
 4. DETAIL DIMENSIONS OF THE PROPOSED GANTRY SIGNS SHALL BE CHECKED. INFORMATION SHOWN IN THIS DRAWING IS FOR REFERENCE ONLY. DETAIL DESIGN SHALL BE ADVISED LATER. SUBSEQUENTLY, DETAILS OF MOUNTING METHOD AND DIMENSIONS FOR THE FLOOD LIGHT FITTINGS INSTALLATION SHALL BE DESIGNED BY THE CONTRACTOR AND SHALL BE SUBMITTED FOR ENGINEER'S APPROVAL.
 5. THE LIGHTING LEVEL OF SIGN GANTRY SHOULD COMPLY WITH TRANSPORT PLANNING AND DESIGN MANUAL ISSUED BY TRANSPORT DEPARTMENT. THE LANTERNS SHALL BE LOCATED WITHIN 500mm FROM CENTRE OF EACH LANE TO AVOID THE CLOSURE OF MORE THAN ONE TRAFFIC LANE DURING FUTURE MAINTENANCE. THE LANTERNS AND THE ASSOCIATED FITTINGS SHALL BE DESIGNED BY CONTRACTOR TO COMPLY WITH LIGHTING LEVEL REQUIREMENT SPECIFIED IN TRANSPORT PLANNING AND DESIGN MANUAL ISSUED BY TRANSPORT DEPARTMENT. ARRANGEMENT OF FITTING AND LUMINANCE CALCULATION SHALL BE SUBMITTED FOR ENGINEER'S APPROVAL.
 6. NUMBER OF WAYS, LIGHTING CIRCUITRY (AT THE ALTERNATE ARRANGEMENT), CABLE SIZE, MATERIAL WORKMANSHIP, ALL ELECTRICAL INSTALLATION AND OTHER DETAILS SHALL BE DESIGNED BY THE CONTRACTOR AND COMPLY WITH THE LATEST EDITION OF THE CODE OF PRACTICE FOR THE ELECTRICITY (WIRING) REGULATIONS, GENERAL SPECIFICATION FOR ELECTRICAL INSTALLATION IN GOVERNMENT BUILDINGS HONG KONG AND IEE WIRING REGULATIONS.
 7. ALL METALWORK ASSOCIATED WITH ALL ELECTRICAL INSTALLATION NOT FORMING PART OF A PHASE OR NEUTRAL CIRCUIT SHALL BE BONDED TOGETHER AND SOLIDLY AND EFFECTIVELY EARTHED FROM JUNCTION BOX VIA ARMoured CABLE CONNECTED TO EFFECTIVE EARTHING SYSTEM. THE EARTHING SYSTEM SHALL COMPLY WITH THE REQUIREMENTS IN THE CODE OF PRACTICE FOR THE ELECTRICITY (WIRING) REGULATIONS, 'IEE REGULATIONS', CP1013, BS7430 AND BS7671. MOREOVER, EARTH PITS DETAILS SHALL FOLLOW HYD STANDARD DRAWING NO. H2165 AND H2166 EXCEPT THAT THE LOGO OF 'E' AND 'M' SHALL BE REPLACED BY 'PL'.
 8. CABLE SHALL BE PVC INSULATED WITH COPPER CONDUCTORS 600/1000V GRADE TO BS6346 OR 450/750 GRADE TO BS7211 L52H UNLESS OTHERWISE STATED. ALL CABLES OF LANTERNS SHALL BE 2.5 mm² IN CROSS-SECTION AREA AND SHALL BE PROTECTED BY TYPE C WITH M9 MCB AND HRC FUSE (AT APPROPRIATED RATING).
 9. DRAINAGE HOLES FOR STAINLESS STEEL ENCLOSURE AND ALL ADAPTABLE BOXES SHALL BE PROVIDED. RAIN SHELTER FOR THE STAINLESS STEEL ENCLOSURE SHALL BE PROVIDED.

no.	date	description	initial
REVISION			
		name	signature
designed	S.T. WONG	SIGNED	FEB 02
drawn	T.M. LEE	SIGNED	FEB 02
checked			
senior technical officer	P.S. CHAN	SIGNED	JUNE 02
project engineer	S.T. WONG	SIGNED	JUNE 02
senior engineer	P.C. LEUNG	SIGNED	JUNE 02

SIGNED
P.K.C. CHAN
Chief Lighting Engineer

contract no.
file no.
project no.
contract

drawing title
SIGN GANTRY

SHEET 4 OF 4
drawing no. SSD 151(4)
scale AS SHOWN

office LIGHTING DIVISION
路燈部

HIGHWAYS DEPARTMENT
路政署
HONG KONG