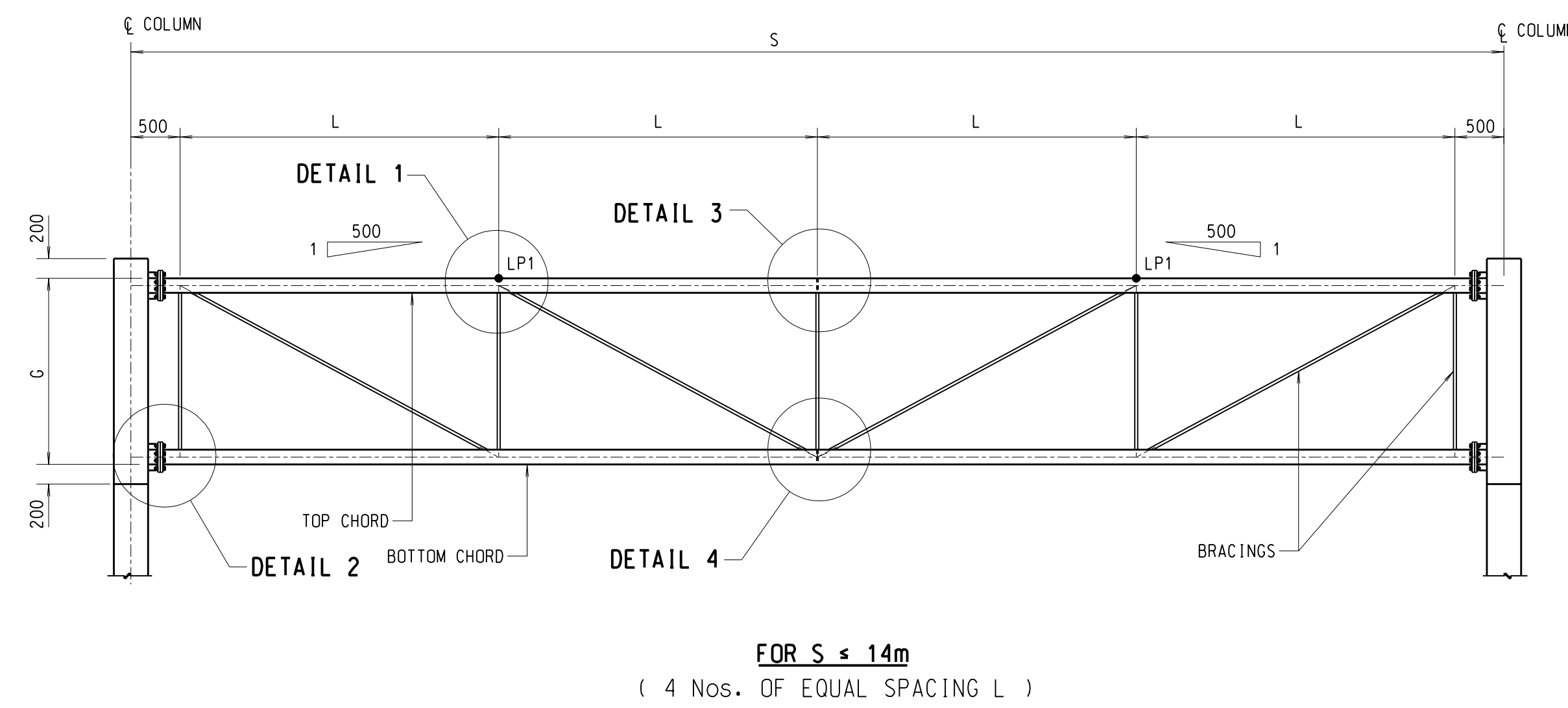
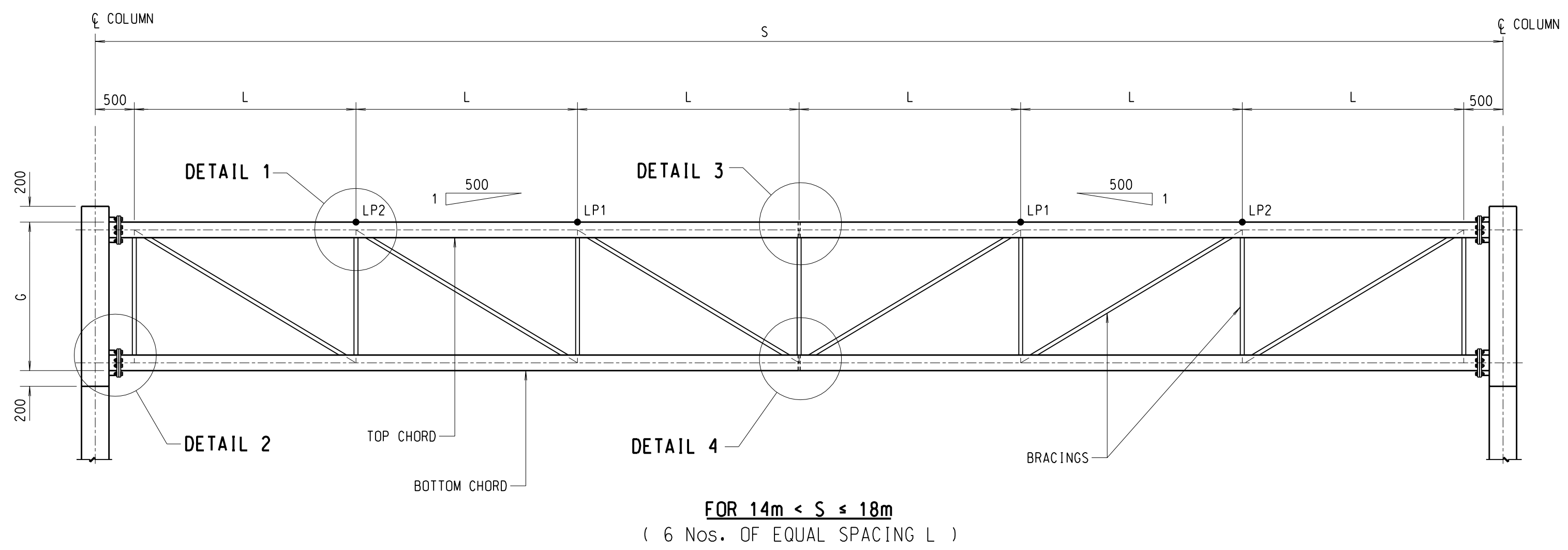
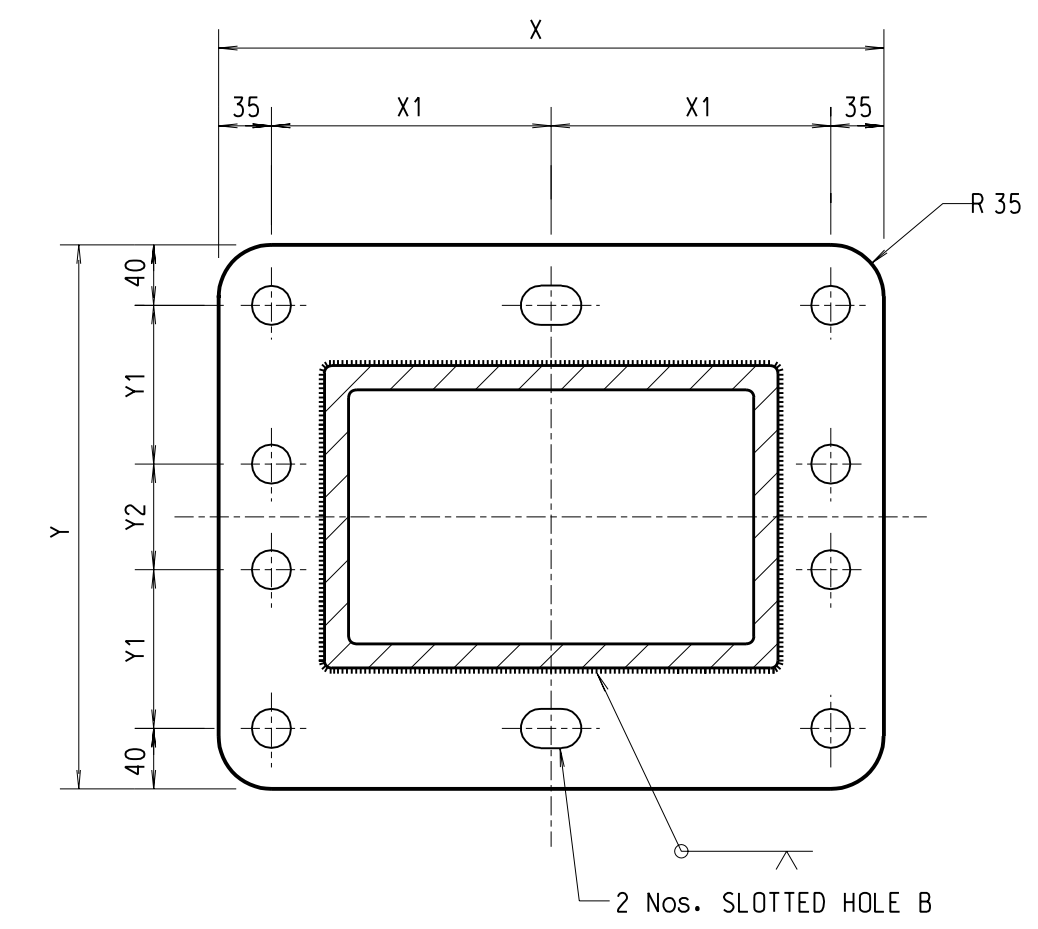
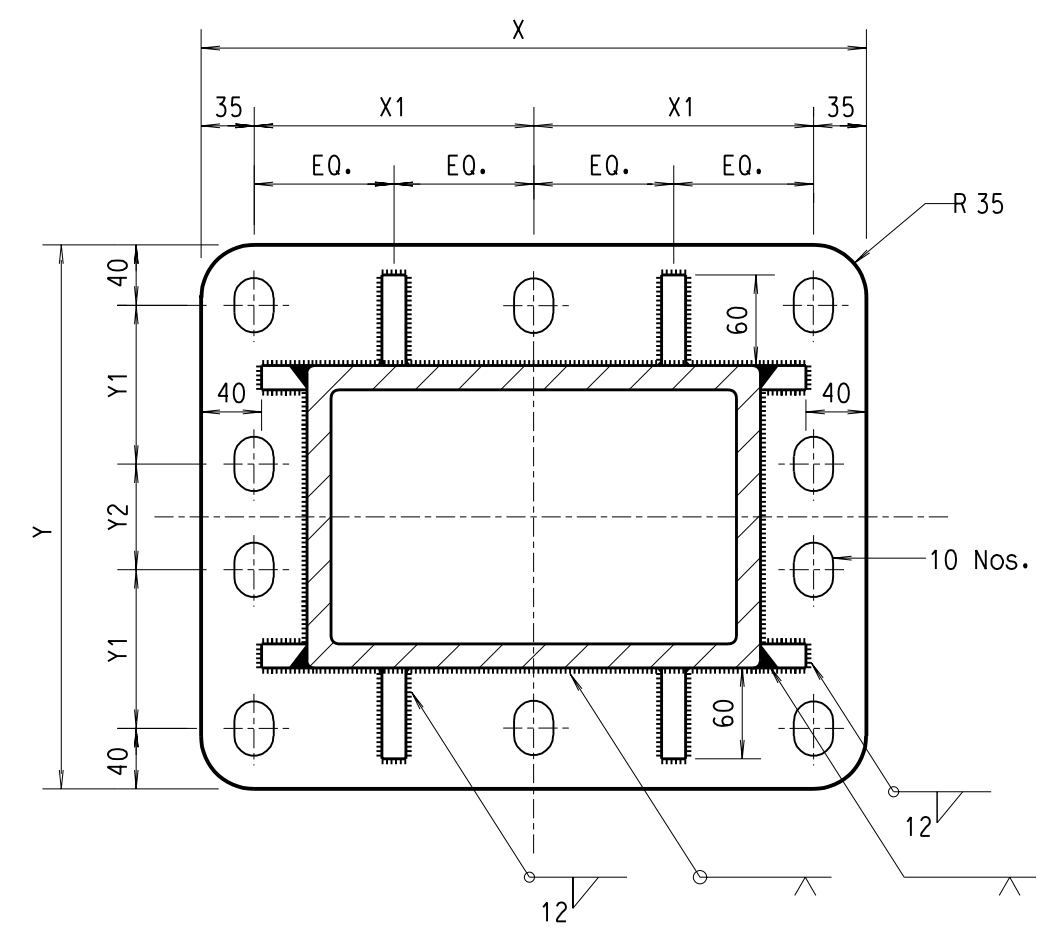
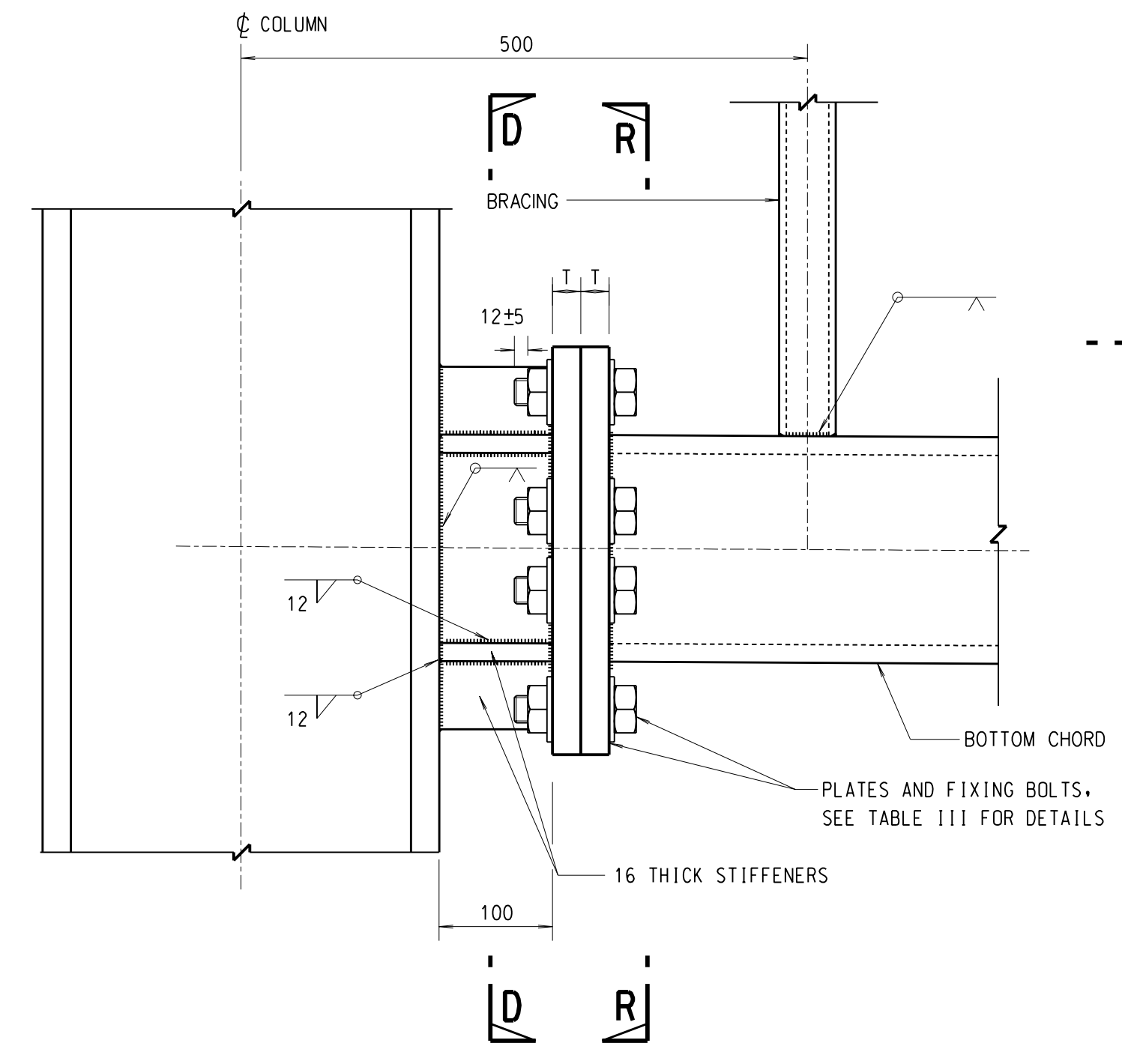


- NOTES:
- THIS DRAWING SHALL BE READ IN CONJUNCTION WITH DRG. NO. SSD151(1).
 - THE CONTRACTOR MAY, IF CONSIDERED NECESSARY, INSERT A MATCHING STEEL PLATE OF 10mm THICK MAX. AT THE SPLICE JOINT TO MAKE UP THE LACK OF FIT IN THE GANTRY FRAME.
 - THE GANTRY FRAME LIFTING POINT SHALL BE LOCATED AT POINTS LP1 OR LP2 ON THE TOP CHORD AS SHOWN ON THE DRAWING UNLESS AGREED BY THE ENGINEER.



ELEVATION OF GANTRY FRAME
SCALE 1:50



SECTION D-D
(BOLTS NOT SHOWN)
SCALE 1:5

SECTION R-R
(BOLTS NOT SHOWN)
SCALE 1:5

no.	date	description	initial
REVISION			
		name	signature
designed	K.K. LEE		SIGNED
drawn	T.M. LEE		SIGNED
checked	P.S. CHAN		SIGNED
senior technical officer	P.S. CHAN		SIGNED
project engineer	K.K. LEE		SIGNED
senior engineer	W.C. CHAN		SIGNED

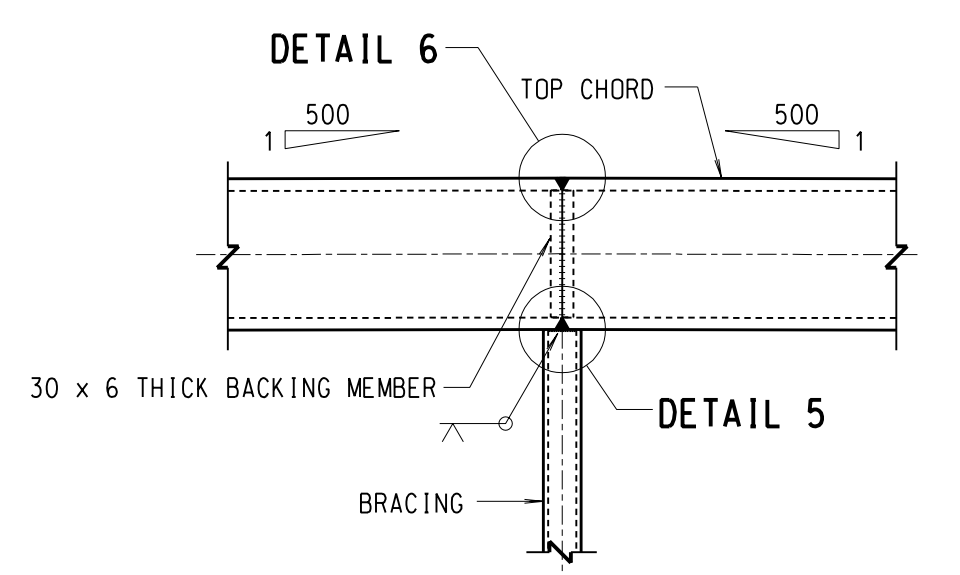
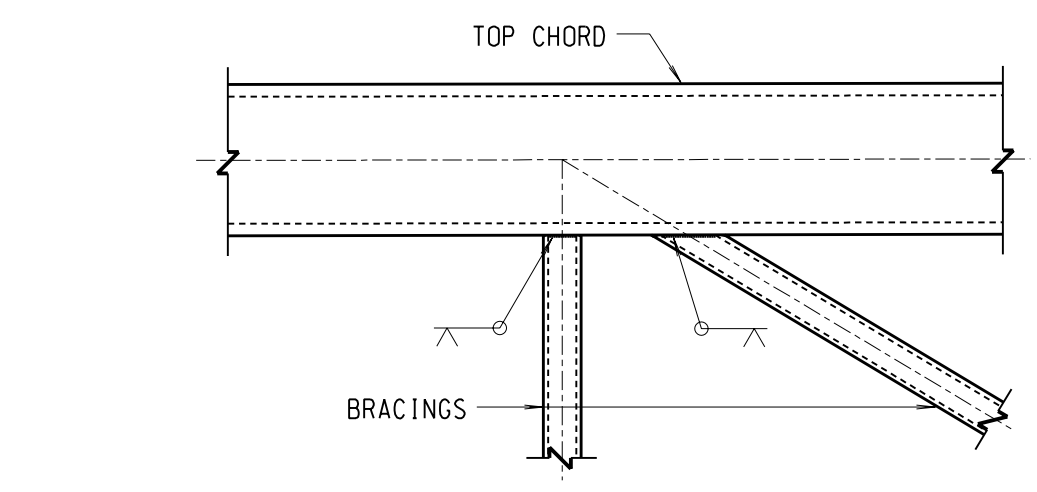
approved
 SIGNED: R.K.W. WONG
 Chief Highway Engineer
 SEP 2002
 date

contract no.
 file no.
 project no.
 contract

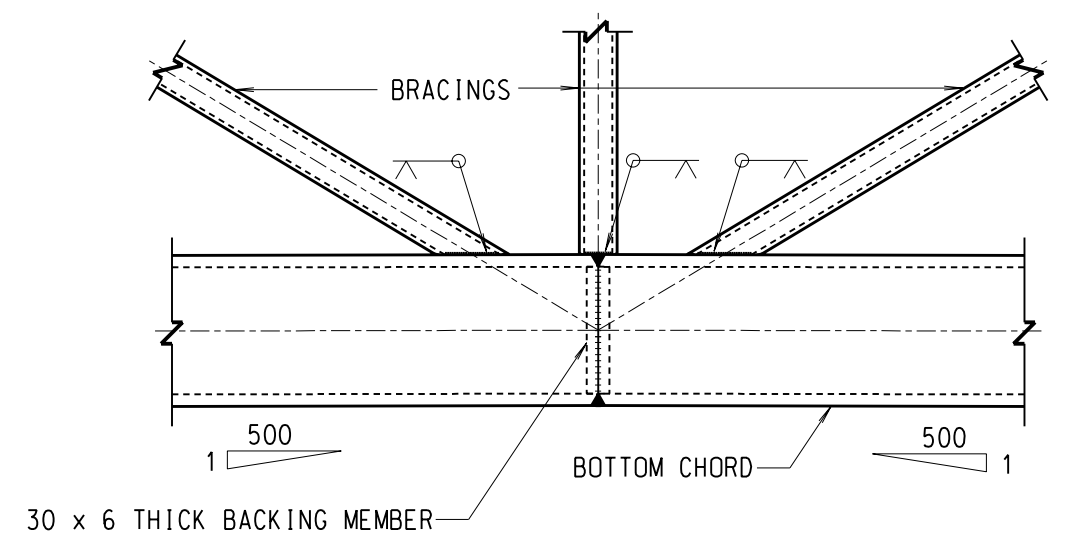
drawing title
SIGN GANTRY
 SHEET 2 OF 4
 drawing no. SSD 151(2)
 scale AS SHOWN

office
STRUCTURES DIVISION

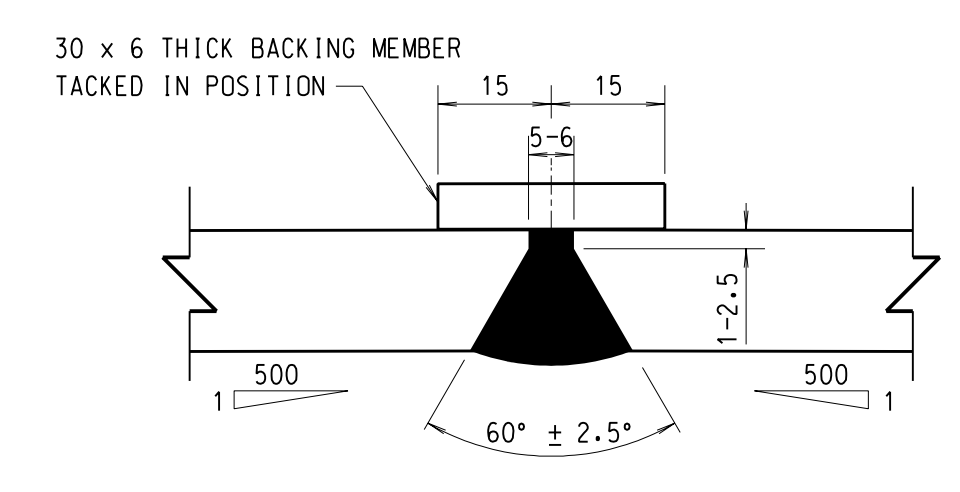
 HIGHWAYS DEPARTMENT
 HONG KONG
 路政署
 香港



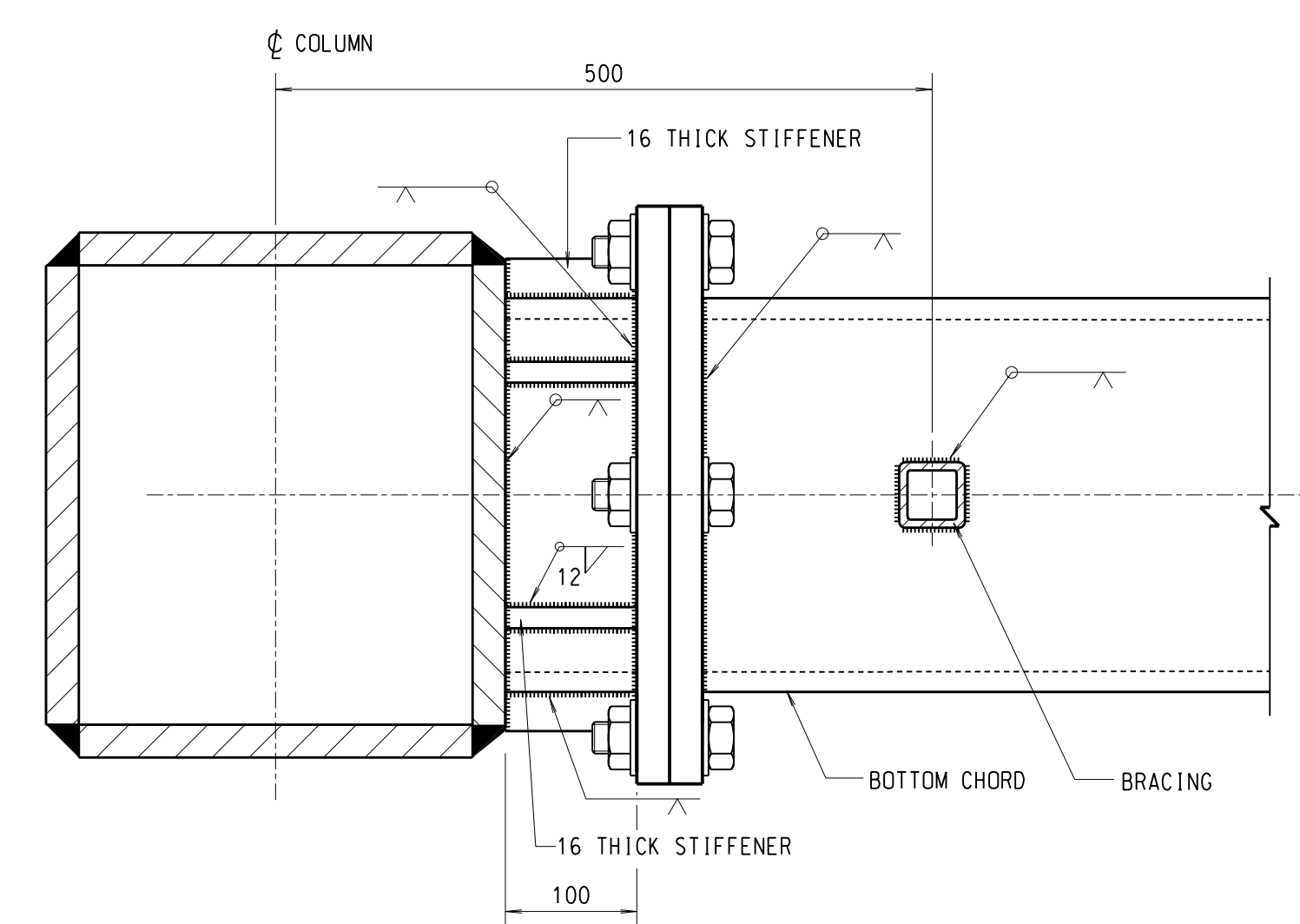
DETAIL 3
SCALE 1:10



DETAIL 4
SCALE 1:10



DETAIL 5
DETAIL 6 SIMILAR BUT HANDED
SCALE 1:1



SECTION C-C
SCALE 1:5

GANTRY TYPE	TOP & BOTTOM CHORD MEMBER	BRACING MEMBER	SPLICE FIXING BOLTS			SPLICE CONNECTION PLATE			SLOTTED HOLE		
			SIZE	X1 (mm)	Y1 (mm)	Y2 (mm)	X (mm)	Y (mm)	T (mm)	HOLE A	HOLE B
A	250 x 150 x 16 RHS	40 x 40 x 5 SHS	M20	160	89	52	390	310	20	22 x 32	35 x 22
B	250 x 150 x 16 RHS	40 x 40 x 5 SHS	M20	160	89	52	390	310	20	22 x 32	35 x 22
C	300 x 200 x 16 RHS	50 x 50 x 6.3 SHS	M24	185	105	70	440	360	25	26 x 36	40 x 26
D	300 x 200 x 16 RHS	50 x 50 x 6.3 SHS	M24	185	105	70	440	360	25	26 x 36	40 x 26

TABLE III - GANTRY TRUSS FRAME DETAILS