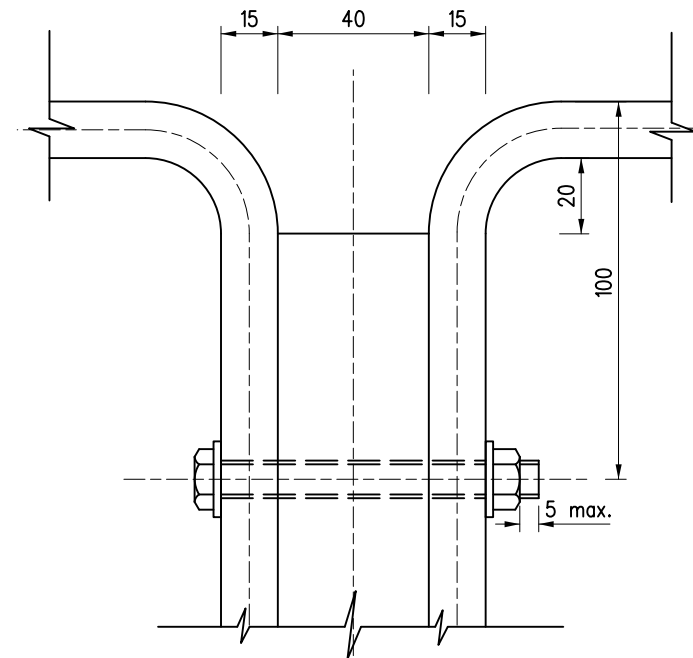


DETAIL 'Y'



DETAIL 'X'

TYPE 2 AND TYPE 4 RAILINGS - DETAILS
 - FOR REPAIRING EXISTING WORKS ONLY

	Former Drg. No. H2131C with general revision	Original signed	Jan 23
REF.	REVISION	SIGNATURE	DATE

HIGHWAYS DEPARTMENT

REFERENCE	DRAWING No.	CAD
SCALE 1 : 2	H 4138	