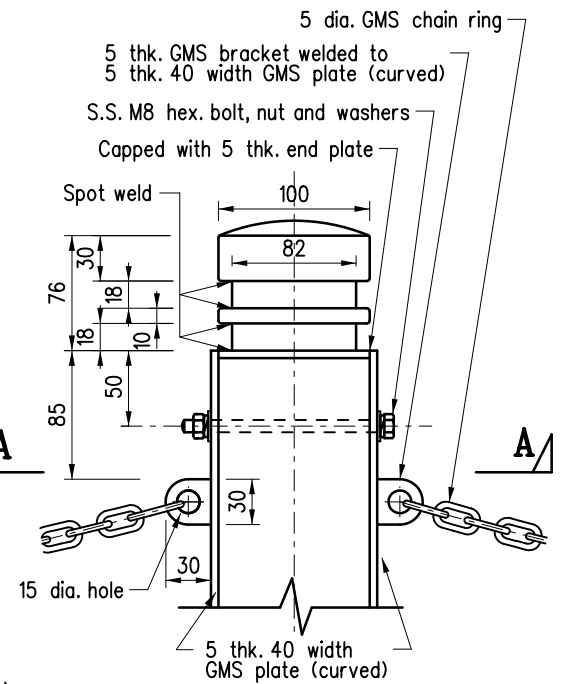
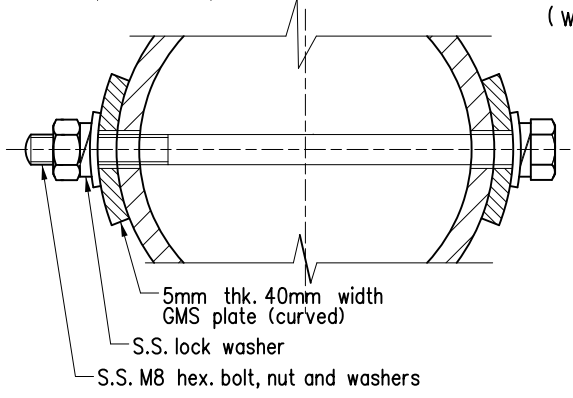


ELEVATION

END VIEW
(without GMS chain)



Detail "X"
1 : 5



SECTION A-A
1 : 2

- Notes:
1. Dimensions are in millimetres.
 2. Steel to be grade 43 B.S. 4360.
 3. Welds to be sound and continuous avoiding locked-in slag.
 4. Welding slag to be removed immediately after welding.
 5. Where the concrete footing is located in block paved footpath, the footing should be lowered to allow for the paving blocks and the sand course.
 6. Colour to be specified by the designers and agreed by Transport Department and Highways Department. Visibility band should be provided if the proposed colour is similar with surrounding paving

	Former Drg. No. H2279	Original signed	Nov 21
REF.	REVISION	SIGNATURE	DATE

TYPE 1 BOLLARD WITH CHAINS
- FOR GUIDANCE PURPOSE

HIGHWAYS DEPARTMENT		
REFERENCE	DRAWING No.	CAD
SCALE 1 : 20 or as shown	H 4134	