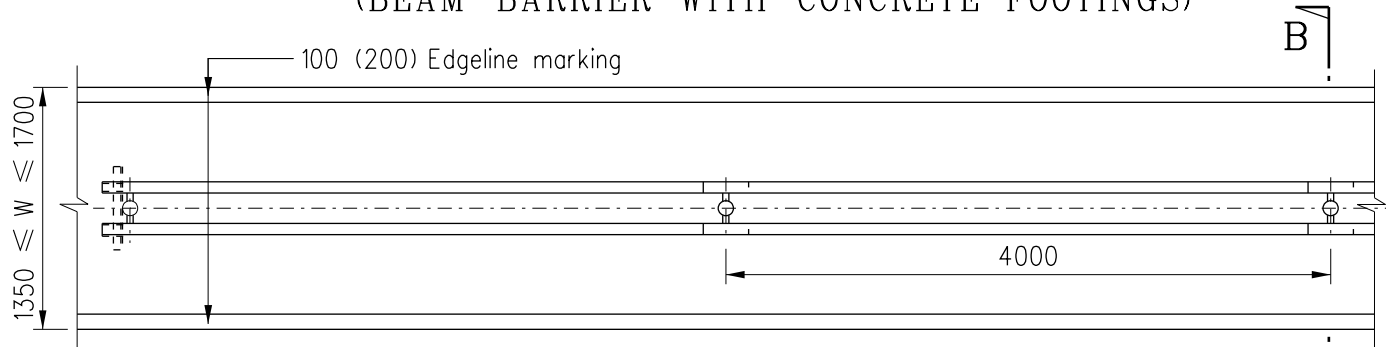


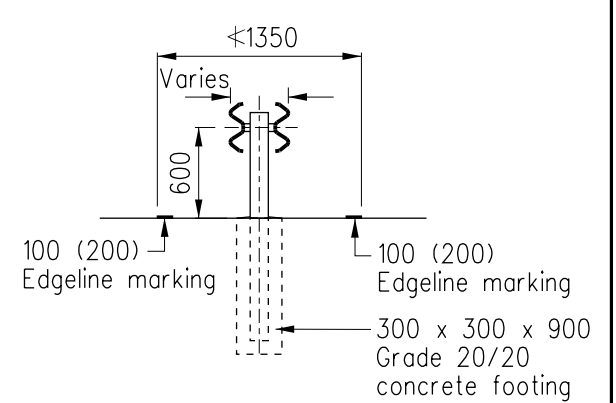
**PLAN FOR NARROW CENTRAL RESERVATION
(BEAM BARRIER WITH CONCRETE FOOTINGS)**



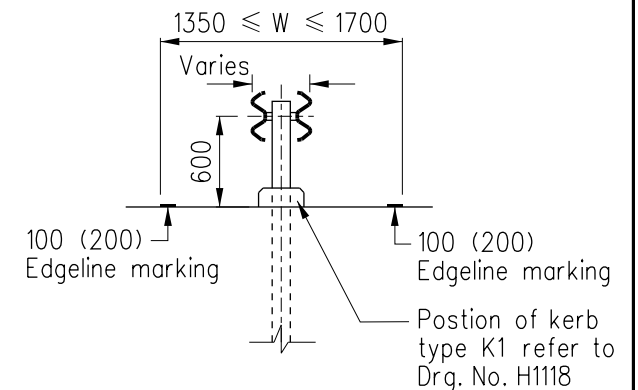
**PLAN FOR NARROW CENTRAL RESERVATION
(BEAM BARRIER WITH COMPACTED EARTH FOOTINGS)**

Notes:

1. Dimensions are in millimetres.
2. See Drg. No. H2126 for details of beam mounting.
3. Where the concrete footing is located in block paved footpath, the footing should be made of colour concrete with colour to tie with that of the paving blocks.



SECTION A-A



SECTION B-B

| | | | |
|------|--|-----------------|--------|
| | Former parts of Drg. No. H2114A, H2117C & H2119D with general revision | Original Signed | Nov 16 |
| REF. | REVISION | SIGNATURE | DATE |

**UNENSIONED CORRUGATED BEAM BARRIERS
AT NARROW CENTRAL RESERVATION**

| | | |
|----------------------------|---------------|-----|
| HIGHWAYS DEPARTMENT | | |
| REFERENCE | DRAWING No. | CAD |
| SCALE 1:50 | H 4132 | |