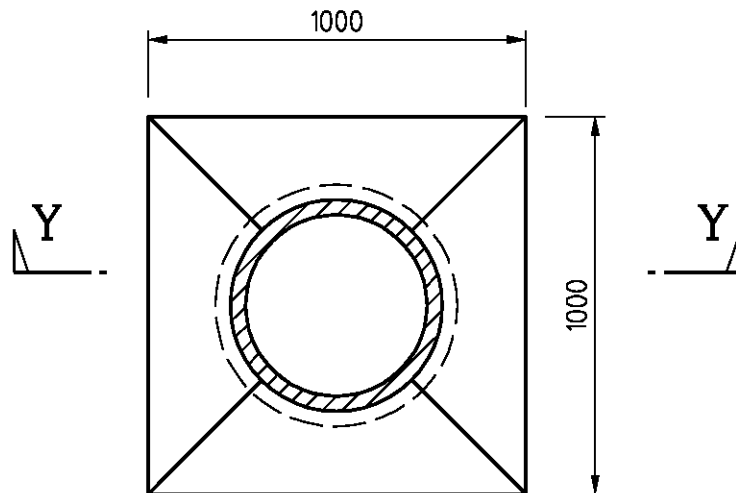


SECTION Y - Y



PLAN

Notes :

1. All dimensions are in millimetres.

	Extracted from former drg. no. H2145B		Aug 02
REF.	REVISION	SIGNATURE	DATE

**FOUNDATION DETAILS OF
TYPE A-B POSTING BOX**

HIGHWAYS DEPARTMENT

REFERENCE KH 4787A	DRAWING No. H 4118	CAD
SCALE 1: 20		