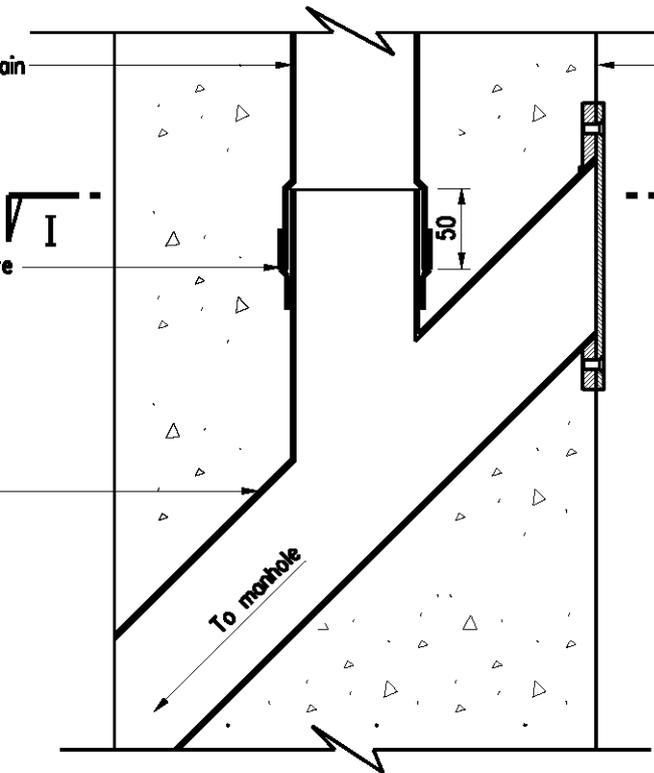


75 INT. Dia. PVC drain pipe in column

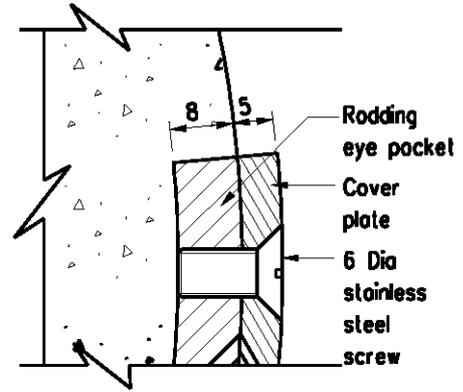
300 Dia. column reinforcement not shown for clarity

Wrapped by adhesive tape approved by the Engineer

75 Dia. 2mm thick stainless steel tube cut and welded to shape

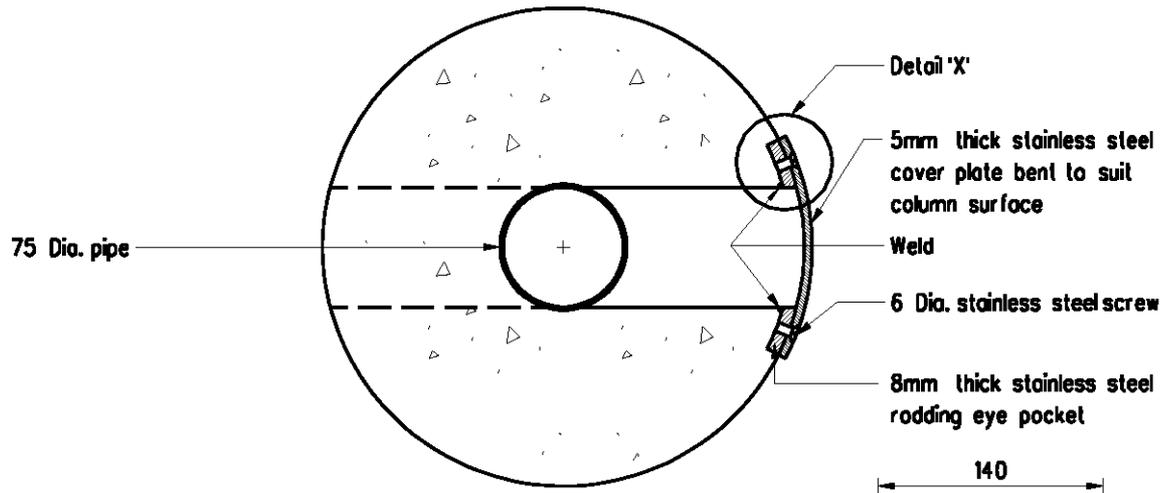


VIEW 'A'

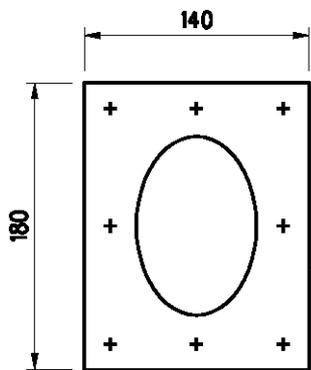


RODDING EYE
Scale 1:5

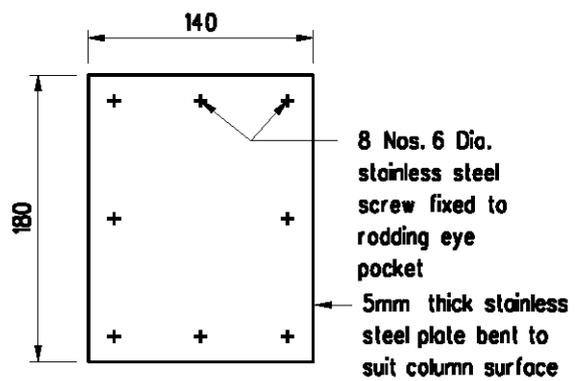
DETAIL 'X'
Scale 1:1



SECTION I - I
Scale 1:5



VIEW 'A'
Scale 1:5



COVER PLATE
Scale 1:5

| | | | |
|------|--|-----------|---------|
| | Former Drg. No. H2039/7 with general revision | | June 94 |
| REF. | REVISION | SIGNATURE | DATE |

**BUS SHELTER -
RODDING EYE DETAILS
OF DRAIN PIPE**

HIGHWAYS DEPARTMENT

| | | |
|-------------------|-------------|-----|
| REFERENCE | DRAWING No. | CAD |
| SCALE As shown | H 4115 | |