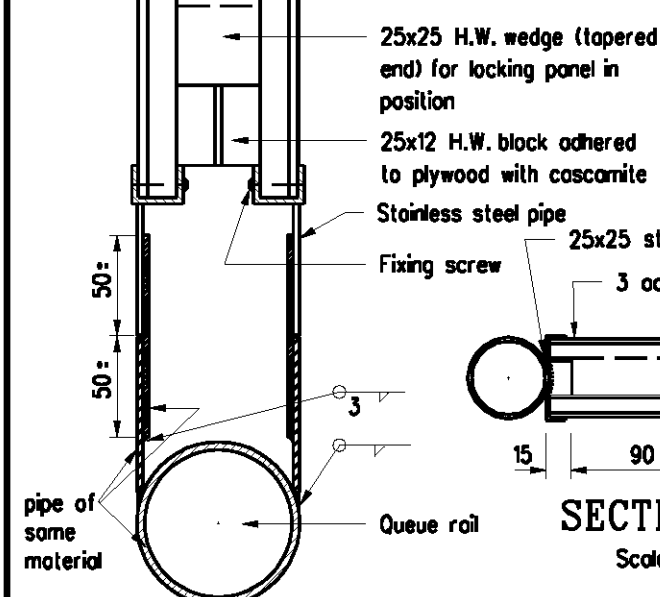
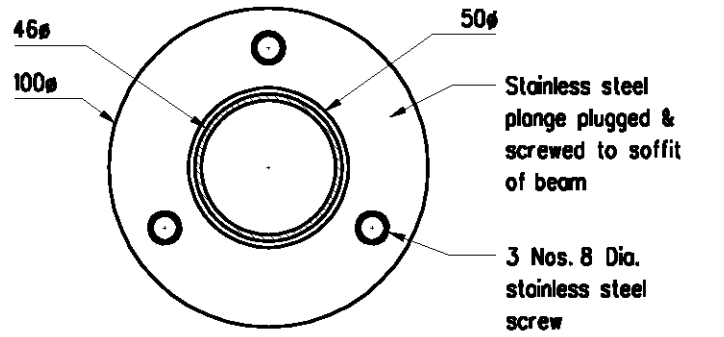


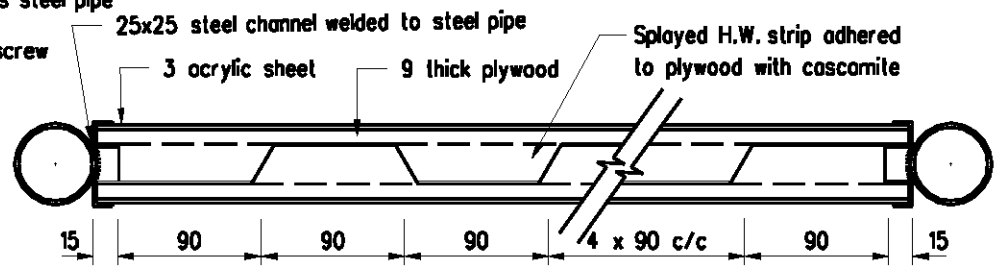
ELEVATION Scale 1:10



SECTIONAL VIEW Scale 1:2.5



SECTION E - E Scale 1:2.5



SECTION F - F Scale 1:5

	Former Drg. No. H2039/4 with general revision		June 94
REF.	REVISION	SIGNATURE	DATE

# BUS SHELTER - HALF HEIGHT PANEL

## HIGHWAYS DEPARTMENT

REFERENCE	DRAWING No.	CAD
SCALE As shown	H 4112	